

TYPE-58 BUTTERFLY VALVE



TECHNICAL SPECIFICATION:

Sizes:	28" (700mm), 32" (800mm), 36" (900mm)
Models:	Wafer style
Operators:	Gear or Electric
Bodies:	PDCPD
Disc:	PP
Seats:	EPDM
Seals:	EPDM
Stems:	316 stainless steel

FEATURES:

- Injection molded PDCPD body
- Polypropylene disc
- EPDM full boot liner
- Top flange interface: ISO 5211
- Face-to-face dimensions meet ISO 5752
- Non-wetted stainless steel stem

PRESSURE VS TEMPERATURE (PSI):

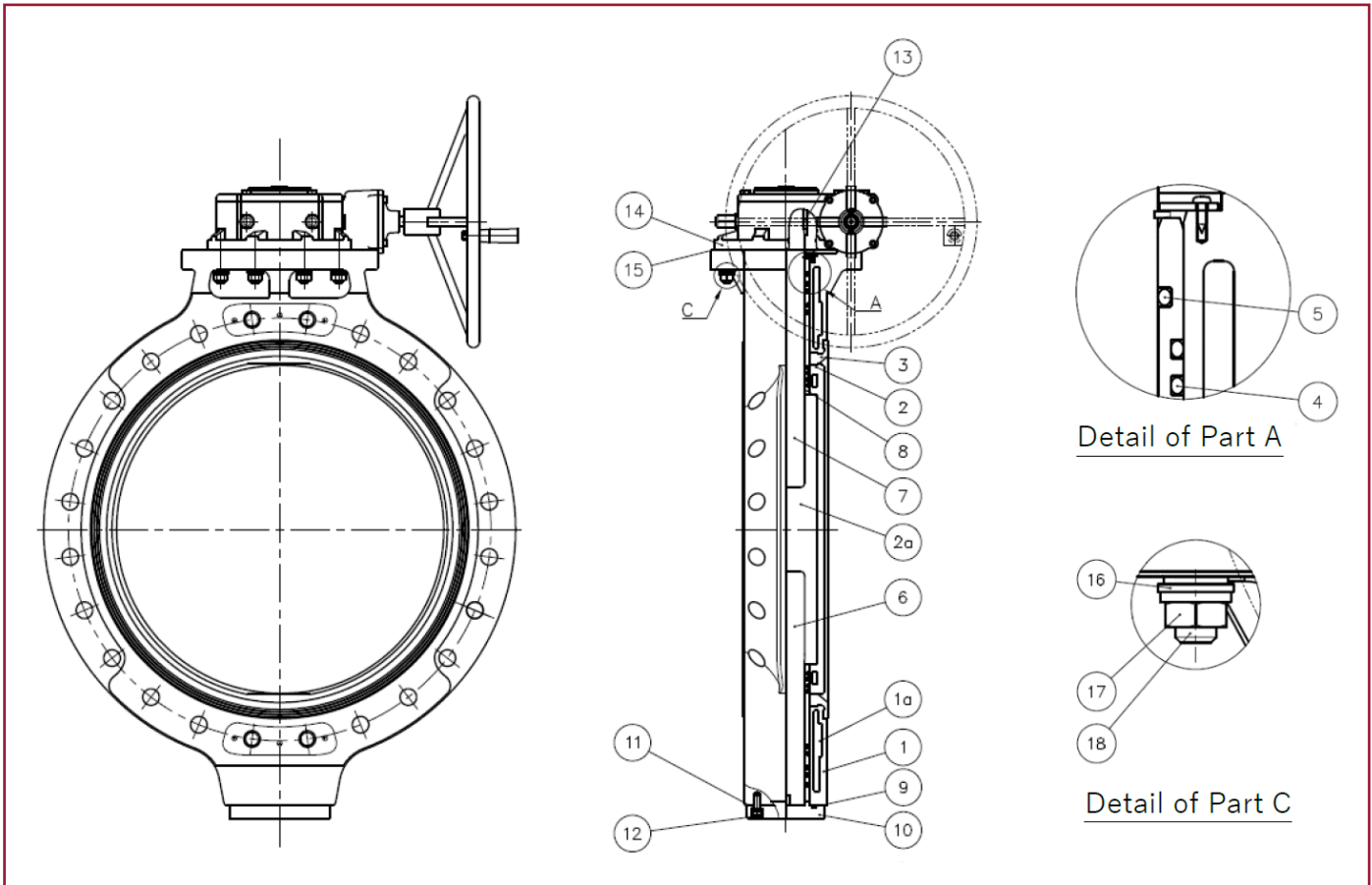
Nominal Size		30° F to 120° F	121° F to 140° F	141° F to 160° F	161° F to 175° F
inch	mm				
28	700	110	90	80	70
32	800	70	70	70	70
36	900	70	70	70	70

DESCRIPTION:

The Type-58 butterfly valve represents a significant advancement in valve technology, having been meticulously re-engineered using cutting-edge production methods. This meticulous process, from design to manufacturing, guarantees a product of exceptional quality, translating into superior performance and reduced delivery times. Key features of this valve include an injection-molded PDCPD body, a polypropylene disc, and an EPDM full boot liner, all of which contribute to its durability and efficiency. With a top flange interface compliant with ISO 5211 standards and face-to-face dimensions that meet ISO 5752 specifications, this valve offers a seamless and reliable solution for various industrial applications. Additionally, the inclusion of a non-wetted stainless steel stem ensures longevity and corrosion resistance in challenging environments.

TYPE-58 BUTTERFLY VALVE

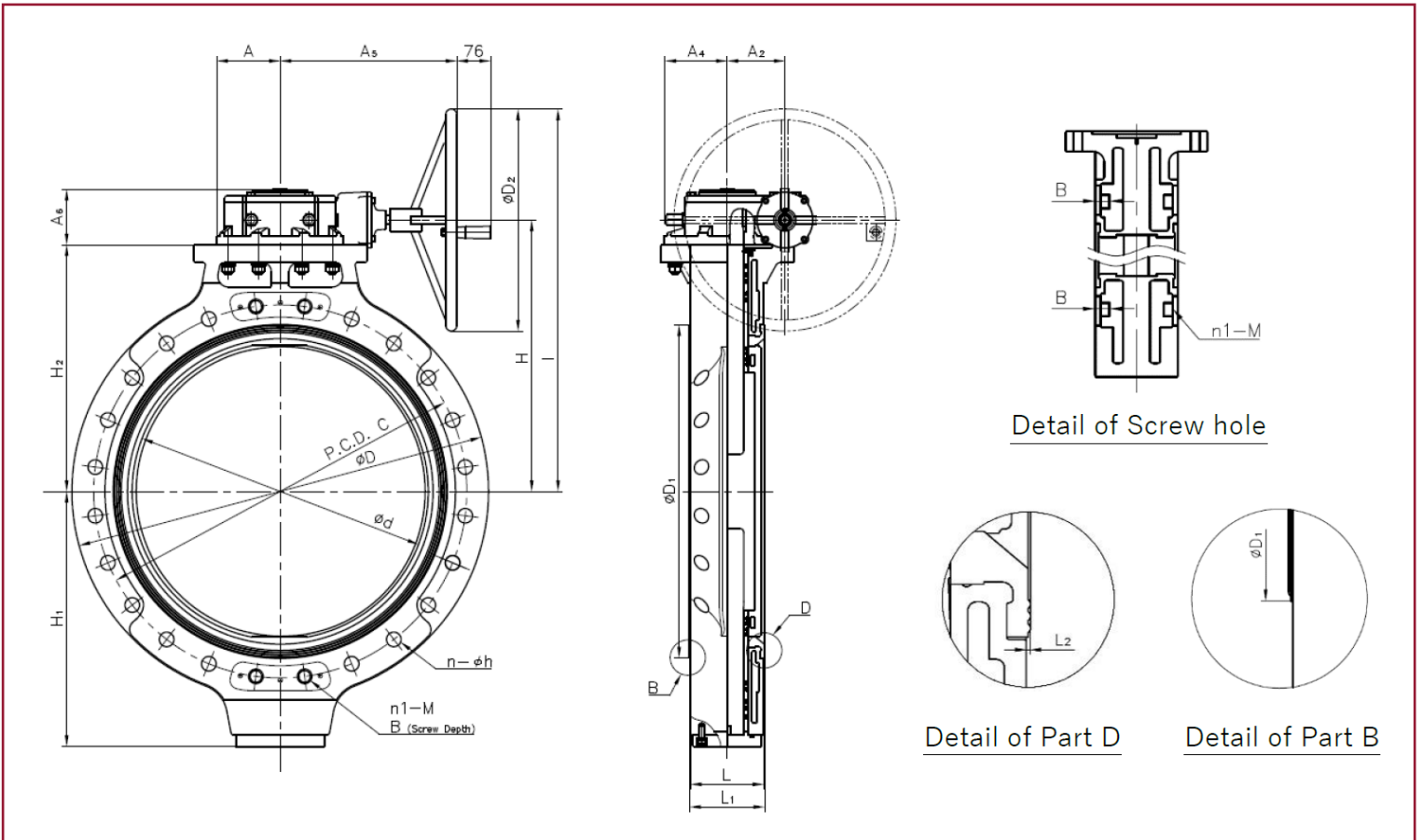
TYPE-58 PARTS LIST:



Part #	Description	Pcs.	Material
1	Body	1	PDCPD
1a	Insert Metal of Body	2	Steel / Casting Stainless
2	Disc 1	1	PP
2a	Insert Metal of Disc	1	AC4C
3	Seat	1	EPDM
4	O-Ring (A)	16	EPDM
5	O-Ring (B)	4	EPDM
9	O-Ring (C)	1	EPDM
15	Gasket	1	EPDM
6	Stem (B)	1	316 SS
7	Stem (A)	1	316 SS
8	Bush	2	PP
10	Stem Holder	1	ABS
11	Washer (A)	4	Stainless Steel
12	Bolt (A)	4	Stainless Steel
13	Key	1	Stainless Steel
14	Gear Box	1	Cast Iron
16	Washer (B)	8	Stainless Steel
17	Nut	8	Stainless Steel
18	Bolt (B)	8	Stainless Steel

TYPE-58 BUTTERFLY VALVE

DIMENSIONS:



ANSI Class 150

Size		d	C	h	N	n	side	total	M	B	D	D1	D2	L	H	I	H1	H2	A	A2	A4	A5	A6	Gear Box Model
in	mm																							
28	700	26.38	34	1.38	28	24	4	8	1-1/4 - 7	1.1	36.93	29.53	19.69	6.5	24.06	33.9	22.6	21.85	5.61	5.12	5.47	15.65	4.92	AB1950N
32	800	30.63	38.5	1.62	28	24	4	8	1-1/2 - 6	1.18	41.73	34.21	23.62	7.48	26.89	38.7	25.16	24.41	5.77	5.51	6.02	16.93	5.28	AB3000N
36	900	34.96	42.8	1.62	32	28	4	8	1-1/2 - 6	1.18	46.38	38.54	23.62	7.99	30.24	42.05	28.5	27.76	5.77	5.51	6.02	16.93	5.28	AB3000N