

OMNI® TYPE-27 BALL VALVE WITH SERIES 19 COM PACK® ON/OFF ELECTRIC ACTUATOR

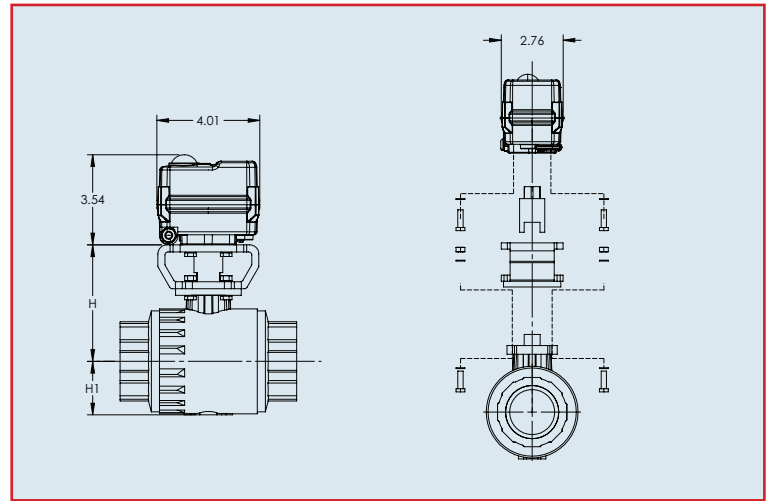


Specifications

Motor Type:	Reversing, brushless DC
Sizes:	C20 for 3/8" – 2" valves
Torque:	177 in-lbs
Voltage:	95 VAC to 265 VAC multi-voltage
Amp Draw:	0.18 Amp
Max Ambient Temp:	150° F
Enclosure:	NEMA 4X

Standard Features (Sizes 3/8" – 2")

- **Compact:** Compact and lightweight actuated valve package that is ideal for OEMs
- **Multi-voltage:** 95 VAC to 265 VAC or 24 VAC/VDC
- **Motor:** Reversing, brushless DC motor
- **Gear Train:** Permanently lubricated solid gears
- **Corrosion Resistant Enclosure:** NEMA 4X PC/PET enclosure with stainless steel trim
- **ISO mounting configuration**
- **Electrical Connection:** NEMA 4X cable gland with two-meter cable
- **Position Indication:** Highly visible dome position indicator
- **LED Position Indication:** RED closed, GREEN open
- **Manual Override:** Manually cycle valve via electroless nickel-plated hex key
- **Auxiliary Contacts:** Open and closed dry contacts rated 0.1 Amp @ 250 VAC, 0.5 Amp @ 30 VDC
- **Space Heater:** A two-watt heater is internally wired to limit condensation
- **QR Code:** Links to user manual; includes wiring schematic
- **CE Compliant:** All actuators are CE labeled
- **75% Duty Cycle:** Extended duty cycles are ideal for high cycling applications



Dimensions (inch)

Size	3/8"	1/2"	3/4"	1"	1-1/4"	1-1/2"	2"
H	2.85	2.85	3.13	3.40	3.76	4.09	4.54
H1	0.81	0.81	1.00	1.18	1.38	1.66	2.09
Model	C20	C20	C20	C20	C20	C20	C20

Weight (lbs)

Size	3/8"	1/2"	3/4"	1"	1-1/4"	1-1/2"	2"
Weight	2.5	2.5	2.6	2.7	3.2	3.8	4.9



Engineering Data

Model	Torque (in-lbs)	95 - 265 VAC		24 VAC/VDC		12 VDC		Cycle time per 90 degrees (seconds)*
		Amp Draw	Duty Cycle	Amp Draw	Duty Cycle	Amp Draw	Duty Cycle	
C20	177	0.18	75%	0.96	75%	1.5	75%	10

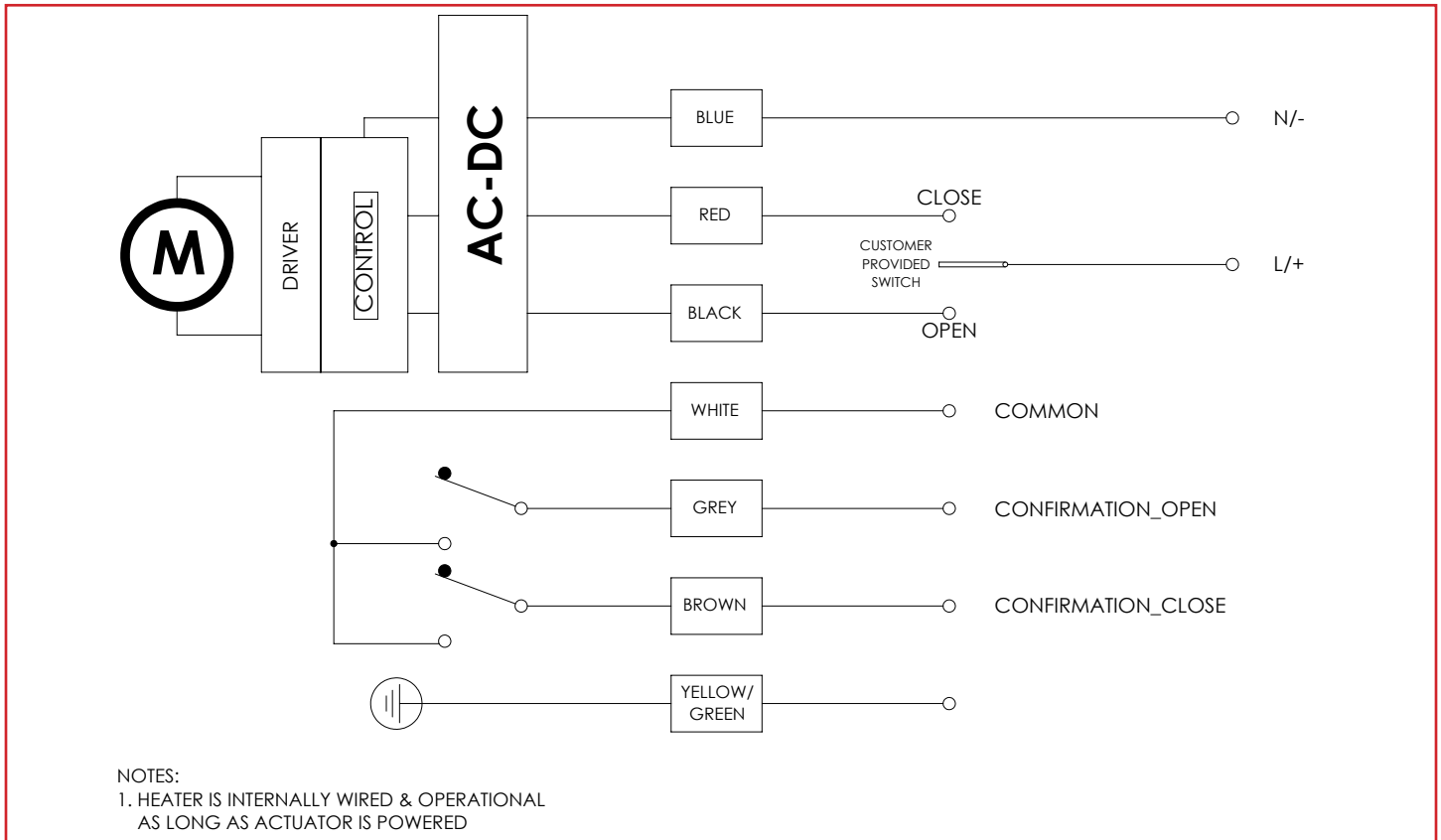
Amp draw is considered locked rotor

*Cycle times are approximate

Duty cycle shown for ambient temp (73° F)

OMNI® TYPE-27 BALL VALVE WITH SERIES 19 COM PACK® ON/OFF ELECTRIC ACTUATOR

Wiring Diagram



Sample Specifications

All Series 19 CAV on/off electric actuators shall have a brushless DC motor that accepts multiple voltages, permanently lubricated steel gears, NEMA 4X PC/PET enclosure with stainless steel trim, visual beacon indication, ISO 5211 valve mounting platform, manual override, and be CE compliant. Standard features shall include a heater, one set of dry contacts for PLC confirmation, an LED indicator, and a QR code that links to its user manual and wiring schematic.

Series 19 Actuator Selection Guide

Valve	Valve Size	C20	S20	S50	S110
Omni® Type-27 Ball Valves	3/8" - 2"	X			
Type-21/21a SST Ball Valves	1/2" - 2"	X	X		
	2-1/2" - 3"			X	
Type-23 Multiport™ Valves	4"				X
	1/2" - 2"	X	X		
	3"			X	
Type-57P Butterfly Valves	4"				X
	1-1/2" - 2-1/2"		X		
	3" - 4"			X	
	5" - 6"				X

