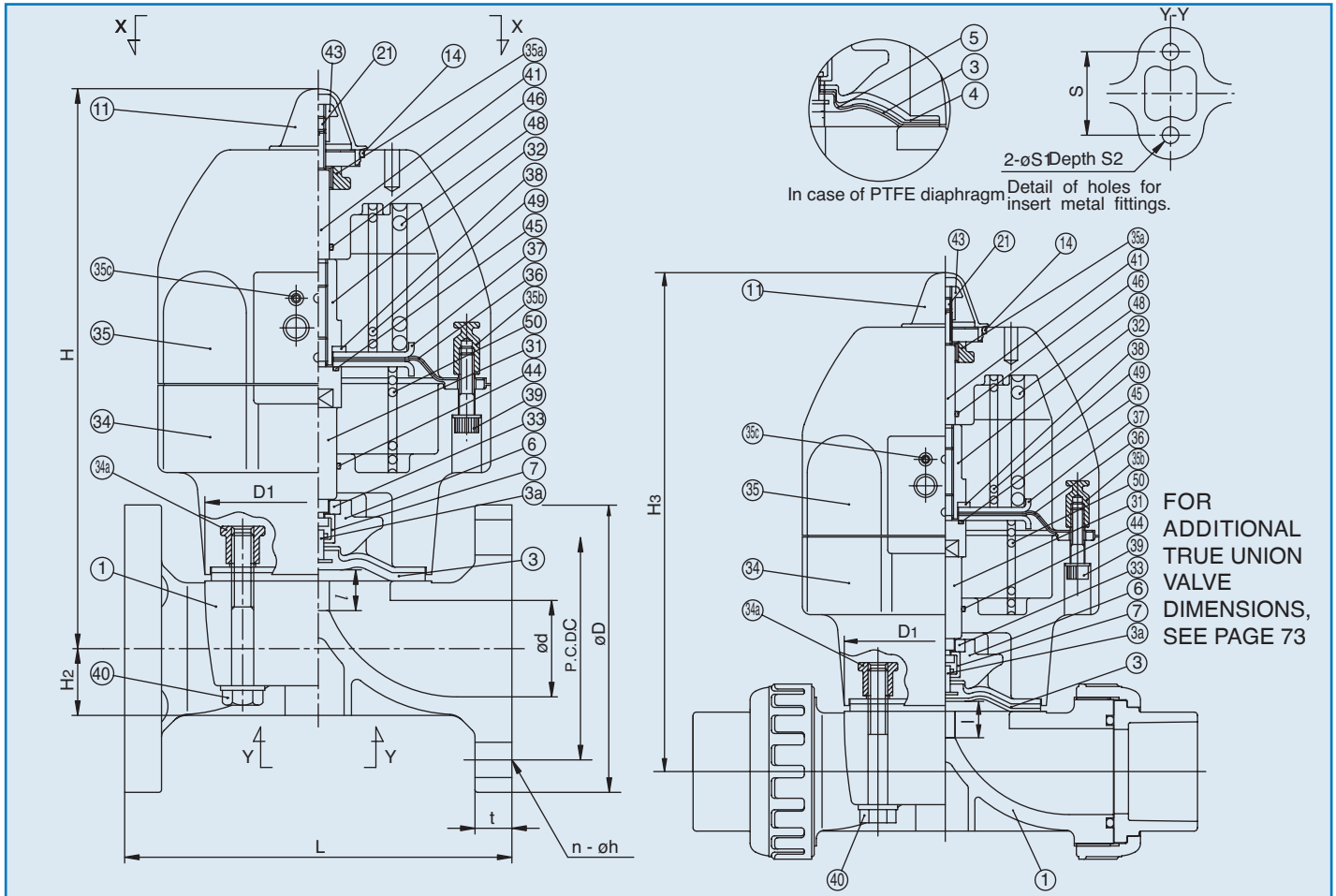
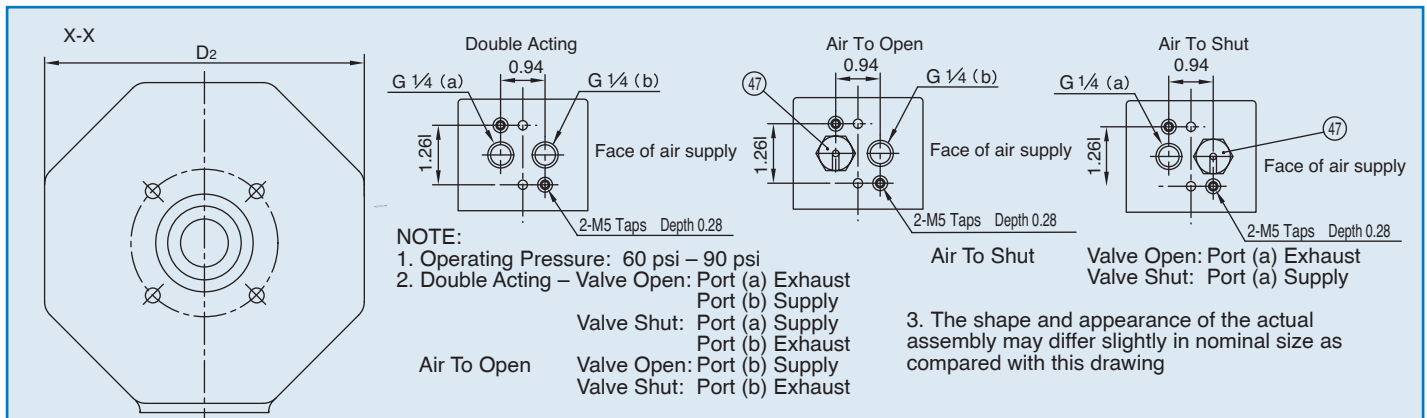


Type-14 Pneumatic

Diaphragm Valves



FOR
ADDITIONAL
TRUE UNION
VALVE
DIMENSIONS,
SEE PAGE 73



Dimensions Type-14 Pneumatic Flanged (Sizes 1/2" – 2") (in.)

Weight/Cv

| NOMINAL SIZE | | ANSI CLASS 150 | | | | | | TRUE UNION | | | | | | | | | | WT. [LBS] | | |
|--------------|----|----------------|------|------|---|------|-------------|------------|------|------|------|-------|------|-------|------|------|------|-----------|-------|-----|
| INCHES | mm | d | C | D | n | h | D1 | D2 | / | L | t | H | H2 | H3 | S | S1 | S2 | A-A | A-S | Cv |
| 1/2 | 15 | 0.63 | 2.38 | 3.50 | 4 | 0.62 | 2.13 × 2.60 | 5.12 | 0.39 | 4.25 | 0.43 | 7.32 | 0.49 | 7.32 | 0.98 | 0.28 | 0.51 | 4.80 | 5.12 | 4.8 |
| 3/4 | 20 | 0.79 | 2.75 | 3.88 | 4 | 0.62 | 2.13 × 2.60 | 5.12 | 0.39 | 5.88 | 0.51 | 7.40 | 0.57 | 7.40 | 0.98 | 0.28 | 0.51 | 5.11 | 5.78 | 5.3 |
| 1 | 25 | 0.98 | 3.12 | 4.25 | 4 | 0.62 | 2.64 × 3.15 | 5.12 | 0.47 | 5.88 | 0.59 | 7.60 | 0.73 | 7.60 | 0.98 | 0.28 | 0.51 | 6.00 | 6.50 | 8.5 |
| 1-1/4 | 32 | 1.26 | 3.50 | 4.62 | 4 | 0.62 | 2.64 × 3.15 | 5.12 | 0.47 | 6.38 | 0.63 | 7.76 | 0.89 | 7.76 | 0.98 | 0.28 | 0.51 | 6.50 | 7.00 | 11 |
| 1-1/2 | 40 | 1.57 | 3.88 | 5.00 | 4 | 0.62 | 4.25 × 4.25 | 6.85 | 0.83 | 6.94 | 0.63 | 11.54 | 1.08 | 11.54 | 1.77 | 0.35 | 0.59 | 12.82 | 14.29 | 26 |
| 2 | 50 | 2.05 | 4.75 | 6.00 | 4 | 0.75 | 4.84 × 4.84 | 6.85 | 0.98 | 7.94 | 0.79 | 11.89 | 1.42 | 11.89 | 1.77 | 0.35 | 0.59 | 13.00 | 14.50 | 43 |