

POLYPURE® BALL VALVE



TECHNICAL SPECIFICATION:

Body Material:	PolyPure® (PPn): 1/2" - 2"
Seal Material:	FKM, EPDM (optional)
Seat Material:	PTFE
End Connections:	Metric (DIN) spigot standard, socket, threaded
Operator:	Manual handle, electric/ pneumatic actuation (optional)

FEATURES:

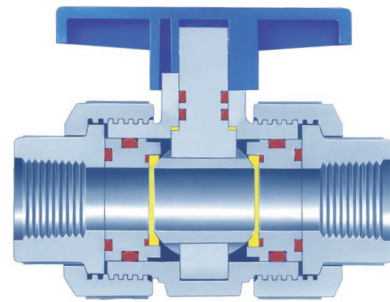
- True union design for ease of installation and removal
- PTFE seats energized with O-rings eliminate wear and improve cycle life
- Dual shaft seals eliminate leakage
- Heavy-duty, large diameter shaft to eliminate flexing and breakage
- PTFE bearing on shaft eliminates friction and wear; stem design is "blow-out" proof
- Fully concentric and mirror polished ball assures smooth, leakproof operation
- Multi-direction flow means valve cannot be installed backwards
- Smooth flow path reduces pressure loss

CV VALUES:

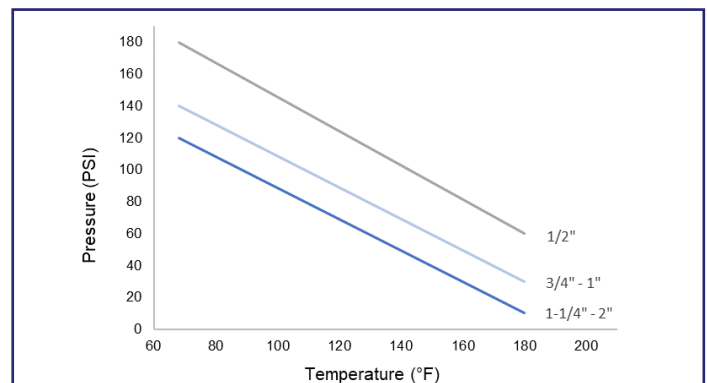
Valve Size		Cv
mm	inch	
20	1/2	10
25	3/4	20
32	1	40
40	1-1/4	80
50	1-1/2	100
63	2	120

SAMPLE SPECIFICATIONS:

1/2" through 2" (20mm through 63mm) manual ball valve shall have PTFE seats preloaded with FKM O-rings. Valves will be available in spigot, socket, and threaded ends. The top and bottom true union design permits flow and pressure in either direction. Sizes 1/2" through 1-1/2" have a full port; size 2" has a tapered port. Valves shall have a smooth flow path to reduce turbulence and pressure loss with flow rates that exceed pipe manufacturers specifications. Valves are assembled dry to eliminate contamination by lubricants. Valves are 100% individually inspected and tested prior to shipment.

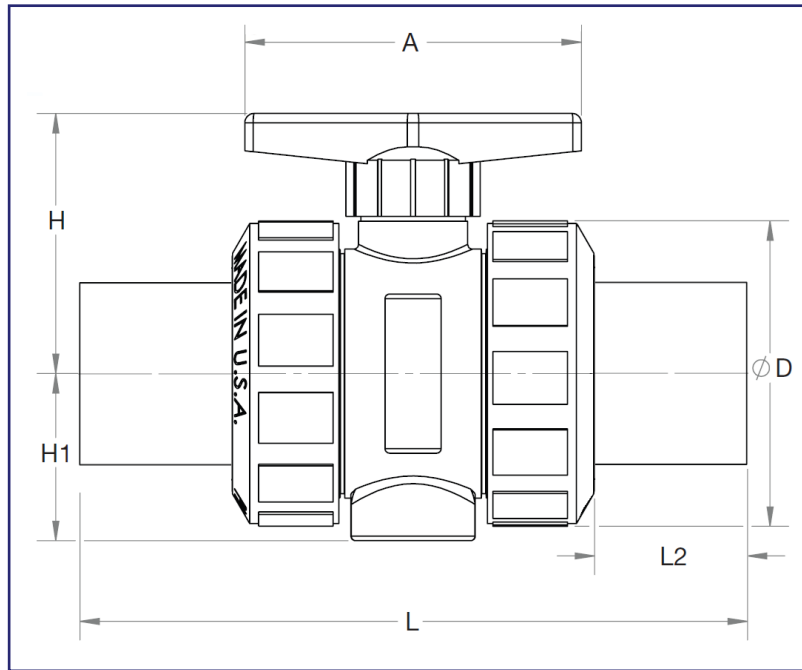


OPERATING PRESSURE:



POLYPURE® BALL VALVE

DIMENSIONS:



Size		A (in)	H (in)	H1 (in)	D (in)	Spigot (in)		Socket		Thread	
inch	OD					L (in)	L2 (in)	L (in)	L2 (in)	L (in)	L2 (in)
1/2	20	3.1	1.9	1.0	2.0	5.81	1.45	4.13	0.61	4.13	0.61
3/4	25	3.8	2.6	1.2	2.5	6.39	1.45	4.75	0.63	4.75	0.63
1	32	3.8	2.6	1.4	2.8	6.71	1.45	5.38	0.79	5.38	0.79
1-1/4	40	4.5	3.5	2.2	4.1	7.83	1.50	6.70	0.94	6.70	0.94
1-1/2	50	4.5	3.5	2.2	4.1	7.83	1.50	6.75	0.96	6.75	0.96
2	63	4.5	3.5	2.2	4.1	7.83	1.50	7.90	1.54	7.90	1.54