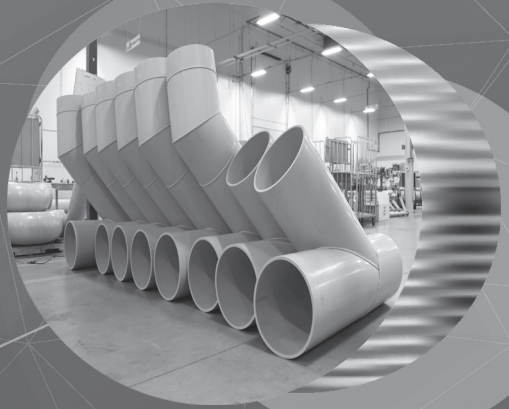


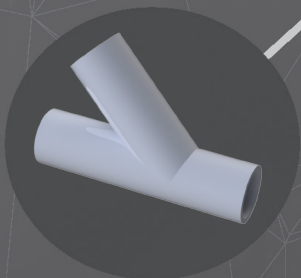
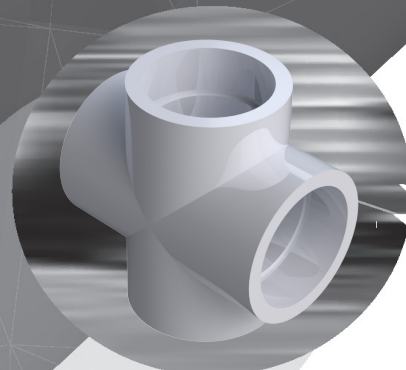
ASAHI/AMERICA INC

EFFECTIVE: 07/01/19

SUBJECT TO CHANGE WITHOUT NOTICE



**Asahi/America, Inc.
Custom and
Fabricated Products
Dimensional Data
2019**



a division of **ASAHI/AMERICA[®]**
CONCEPT TO COMPLETION

www.asahi-america.com

Custom Fittings and Fabricated Products



With our acquisition of Performance Plastics in the fall of 2018, Asahi/America more than doubled our capacity to produce custom and fabricated thermoplastic solutions. Our team of craftsmen in our Lawrence, MA and Gramercy, LA facilities are poised to create custom pipe spools, fittings and accessories in a wide range of corrosion resistant thermoplastic materials. Supported by our application engineers and CAD design professionals, our trained experienced staff is able to create custom pieces to meet your applications requirements. From concept to completion we can meet your needs.

SERVICES AND CAPABILITIES

- Complete Shop Pre-Fabrication Assembly
- Project Estimating Services
- Spool Mapping and Piece Marking
- Design Assistance in Materials Selection and Compatibility
- On Site System Layout Planning
- Field Measurement and Verification
- Electro-Hydraulic Segmented Butt Fusion Equipment
- Dedicated Plastic Pipe Saws
- CNC Driven Routing Table
- Gap Bed Horizontal Lathe
- Vertical Milling Machine
- Tapping and Threading Services
- Hydro Testing

PRODUCT OFFERINGS

CUSTOM FABRICATED PRODUCTS

- Spool Pieces
- Headers and Manifolds
- Fabricated Butt Fusion Fittings in HDPE, PP and PVDF
- Manholes, Sumps and Catch Basins
- Corrugated Fittings
- Acid Sewer Systems
- Valve Boxes and Vaults
- Tank and Vat Covers
- Storage Tank Accessories
- Sample Cabinets
- Hoods and Ductwork

DOUBLE CONTAINMENT PIPING

- HDPE , PP, PVDF and ECTFE Materials
- Simultaneous and Staggered Fusion Systems
- PVC and CPVC Solvent Weld Systems
- Multiple Leak Detection Options

PROCESS PIPE & FITTINGS

- HDPE and Polypropylene
- PVDF and ECTFE
- PFA
- Compressed Air Piping

TOWER INTERNALS/COLUMN & REACTION COMPONENTS TANKS

- Dip Pipes and Spargers
- Spray Headers and Spray Pipes
- Packing Support Plates
- Mixing Tees and Injection Nozzles
- Nozzle Liners
- Custom Fabricated Connections
- Custom Tank Nozzles

MACHINED COMPONENTS

- Ring and Full Face Spacers
- Orifice Flanges
- Orifice Plates
- Spectacle Blinds
- Blind Flanges
- Instrument Connections
- Sight Windows and Viewing Ports
- Custom Shapes

Table of Contents

90 Degree 3 Segment Elbow.....Page 4
90 Degree 5 Segment Elbow.....Page 6

45 Degree 2 Segment Elbow.....Page 8
45 Degree 3 Segment Elbow.....Page 10

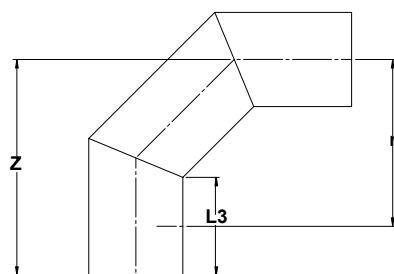
22.5 Degree 2 Segment Elbow.....Page 12

Fabricated Tee.....Page 14

Fabricated 45 Degree Lateral.....Page 16

Fabricated Cross.....Page 18

HDPE Blind Flange.....Page 20
HDPE Ring Spacer.....Page 22



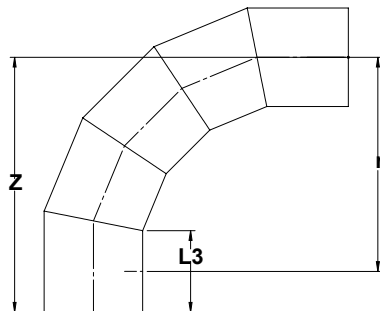
90 DEGREE 3 SEGMENT ELBOW

Size inch	R/D	r	z	L3	SDR	PSI	Weight (lbs.)
4	1.50	6.8	10.9	6.0	9	160	7
					11	130	6
					17	85	5
6	1.50	10.0	13.2	6.0	9	160	16
					11	130	13
					17	85	11
8	1.25	10.7	14.6	6.5	9	160	23
					11	130	20
					17	85	14
10	1.25	13.5	16.6	6.5	9	160	42
					11	130	34
					17	85	24
12	1.25	16.0	20.0	8.0	9	160	68
					11	130	57
					17	85	39
14	1.05	14.5	19.4	8.0	9	160	80
					11	130	66
					17	85	45
16	1.05	16.8	21.2	8.0	9	160	112
					11	130	93
					17	85	63
18	1.02	18.4	22.5	8.0	9	160	150
					11	130	126
					17	85	85
20	1.02	20.4	24.1	8.0	9	160	196
					11	130	162
					17	85	111
24	1.02	24.5	27.3	8.0	9	160	320
					11	130	267
					17	85	181



90 DEGREE 3 SEGMENT ELBOW

Size inch	SDR 9	SDR 11	SDR 17
	Part Number	Part Number	Part Number
4	4803040	4806040	4906040
6	4803060	4806060	4906060
8	4803080	4806080	4906080
10	4803100	4806100	4906100
12	4803120	4806120	4906120
14	4803140	4806140	4906140
16	4803160	4806160	4906160
18	4803180	4806180	4906180
20	4803200	4806200	4906200
24	4803240	4806240	4906240



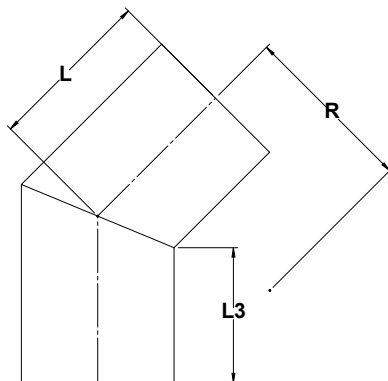
90 DEGREE 5 SEGMENT ELBOW

Size inch	R/D	r	z	L3	SDR	PSI	Weight (lbs.)
4	3.0	13.7	15.5	4.0	9	200	9
					11	160	8
					17	105	7
6	2.2	14.7	18.5	6.0	9	200	22
					11	160	18
					17	105	15
8	1.8	16.0	20.2	6.5	9	200	32
					11	160	27
					17	105	19
10	1.6	17.0	21.2	6.5	9	200	53
					11	160	43
					17	105	30
12	1.5	19.1	24.6	8.0	9	200	84
					11	160	72
					17	105	46
14	1.5	21.0	26.2	8.0	9	200	106
					11	160	88
					17	105	60
16	1.5	24.0	28.8	8.0	9	200	151
					11	160	125
					17	105	84
18	1.5	27.0	31.4	8.0	9	200	207
					11	160	174
					17	105	118
20	1.5	30.0	34.0	8.0	9	200	270
					11	160	225
					17	105	153
24	1.5	36.0	39.2	8.0	9	200	437
					11	160	364
					17	105	247



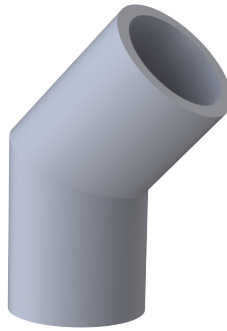
90 DEGREE 5 SEGMENT ELBOW

Size inch	SDR 9	SDR 11	SDR 17
	Part Number	Part Number	Part Number
4	4813040	4816040	4916040
6	4813060	4816060	4916060
8	4813080	4816080	4916080
10	4813100	4816100	4916100
12	4813120	4816120	4916120
14	4813140	4816140	4916140
16	4813160	4816160	4916160
18	4813180	4816180	4916180
20	4813200	4816200	4916200
24	4813240	4816240	4916240



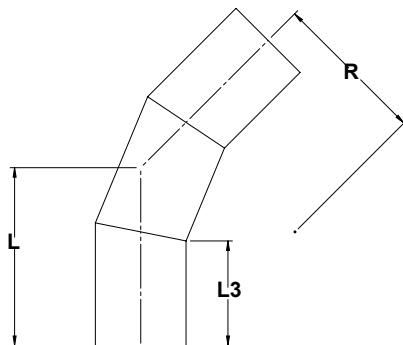
45 DEGREE 2 SEGMENT ELBOW

Size inch	R/D	R	L	L3	SDR	PSI	Weight (lbs.)
4	1.50	6.8	6.9	6.0	9	160	3.5
					11	130	3
					17	85	2.5
6	1.50	10.0	7.4	6.0	9	160	8
					11	130	7
					17	85	6
8	1.25	10.7	8.3	6.5	9	160	15
					11	130	13
					17	85	9
10	1.25	13.5	8.7	6.5	9	160	26
					11	130	21
					17	85	15
12	1.25	16.0	10.6	8.0	9	160	42
					11	130	35
					17	85	24
14	1.05	14.5	10.9	8.0	9	160	53
					11	130	44
					17	85	30
16	1.05	16.8	11.3	8.0	9	160	70
					11	130	58
					17	85	39
18	1.05	18.4	11.7	8.0	9	160	93
					11	130	78
					17	85	53
20	1.02	20.4	12.1	8.0	9	160	119
					11	130	99
					17	85	67
24	1.02	24.5	13.0	8.0	9	160	180
					11	130	151
					17	85	101



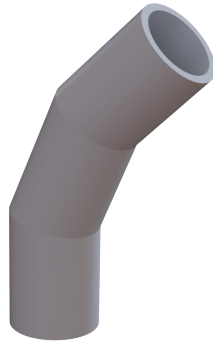
45 DEGREE 2 SEGMENT ELBOW

Size	SDR 9	SDR 11	SDR 17
inch	Part Number	Part Number	Part Number
4	4805040	4908040	4907040
6	4805060	4908060	4907060
8	4805080	4908080	4907080
10	4805100	4908100	4907100
12	4805120	4908120	4907120
14	4805140	4908140	4907140
16	4805160	4908160	4907160
18	4805180	4908180	4907180
20	4805200	4908200	4907200
24	4805240	4908240	4907240



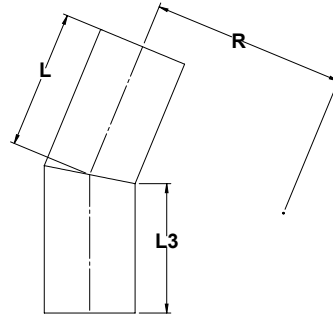
45 DEGREE 3 SEGMENT ELBOW

Size inch	R/D	R	L	L3	SDR	PSI	Weight (lbs)
4	3.0	13.7	7.0	4.0	9	200	6
					11	160	5
					17	105	4
6	2.2	14.7	9.4	6.0	9	200	1
					11	160	11
					17	105	9
8	1.8	16.0	10.3	6.5	9	200	19
					11	160	16
					17	105	12
10	1.6	17.0	10.7	6.5	9	200	32
					11	160	26
					17	105	18
12	1.5	19.1	12.8	8.0	9	200	51
					11	160	43
					17	105	29
14	1.5	21.0	13.2	8.0	9	200	64
					11	160	53
					17	105	36
16	1.5	24.0	14.0	8.0	9	200	91
					11	160	76
					17	105	51
18	1.5	27.0	14.7	8.0	9	200	119
					11	160	101
					17	105	68
20	1.5	30.0	15.5	8.0	9	200	151
					11	160	126
					17	105	86
24	1.5	36.0	17.0	8.0	9	200	24
					11	160	202
					17	105	137



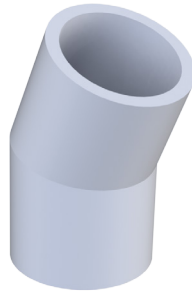
45 DEGREE 3 SEGMENT ELBOW

Size inch	SDR 9	SDR 11	SDR 17
	Part Number	Part Number	Part Number
4	4804040	4815040	4909040
6	4804060	4815060	4909060
8	4804080	4815080	4909080
10	4804100	4815100	4909100
12	4804120	4815120	4909120
14	4804140	4815140	4909140
16	4804160	4815160	4909160
18	4804180	4815180	4909180
20	4804200	4815200	4909200
24	4804240	4815240	4909240



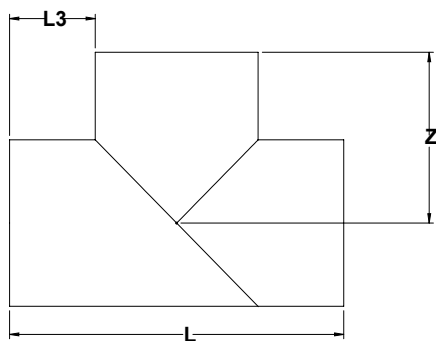
22.5 DEGREE 2 SEGMENT ELBOW

Size inch	R/D	R	L	L3	SDR	PSI	Weight (lbs.)
2	1.5	3.6	4.3	4.0	9	200	1
					11	160	1
					17	105	1
3	1.5	5.3	4.4	4.0	9	200	2
					11	160	2
					17	105	1.5
4	1.5	6.8	4.5	4.0	9	200	3.5
					11	160	3
					17	105	2.5
6	1.5	10.0	6.7	6.0	9	200	9
					11	160	7
					17	105	6
8	1.25	10.7	7.4	6.5	9	200	13
					11	160	11
					17	105	9
10	1.25	13.5	7.6	6.5	9	200	21
					11	160	17
					17	105	12
12	1.25	16.0	9.3	8.0	9	200	35
					11	160	31
					17	105	20
14	1.05	14.5	9.4	8.0	9	200	42
					11	160	35
					17	105	24
16	1.05	16.8	9.6	8.0	9	200	61
					11	160	49
					17	105	33
18	1.05	18.4	9.8	8.0	9	200	75
					11	160	63
					17	105	43
20	1.02	20.4	10.0	8.0	9	200	92
					11	160	77
					17	105	52
24	1.02	24.5	10.4	8.0	9	200	141
					11	160	117
					17	105	79



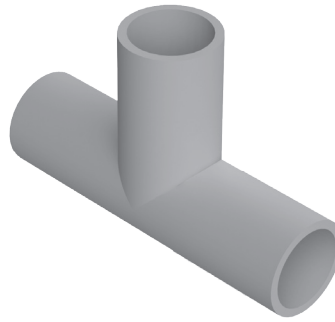
22.5 DEGREE 2 SEGMENT ELBOW

Size inch	SDR 9	SDR 11	SDR 17
	Part Number	Part Number	Part Number
2	4809020	4810020	4807020
3	4809030	4810030	4807030
4	4809040	4810040	4807040
6	4809060	4810060	4807060
8	4809080	4810080	4807080
10	4809100	4810100	4807100
12	4809120	4810120	4807120
14	4809140	4810140	4807140
16	4809160	4810160	4807160
18	4809180	4810180	4807180
20	4809200	4810200	4807200
24	4809240	4810240	4807240



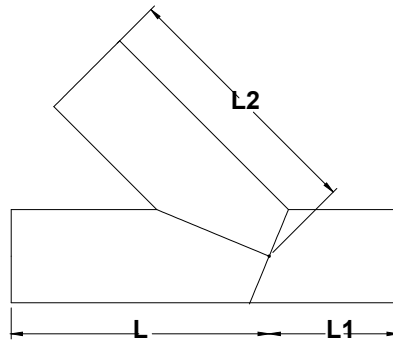
FABRICATED TEE

Size inch	L	L3	z	SDR	PSI	Weight (lbs.)
4	16.5	6.0	8.3	9	175	8
				11	140	7
				17	90	6
6	18.6	6.0	9.3	9	175	19
				11	140	15
				17	90	13
8	24.6	8.0	12.3	9	175	34
				11	140	28
				17	90	20
10	26.8	8.0	13.4	9	175	57
				11	140	46
				17	90	32
12	28.8	8.0	14.4	9	175	85
				11	140	72
				17	90	48
14	32.0	9.0	16.0	9	175	112
				11	140	93
				17	90	63
16	34.0	9.0	17.0	9	175	166
				11	140	137
				17	90	92
18	38.0	10.0	19.0	9	175	231
				11	140	194
				17	90	131
20	40.0	10.0	20.0	9	175	297
				11	140	247
				17	90	167
24	48.0	12.0	24.0	9	175	507
				11	140	422
				17	90	286



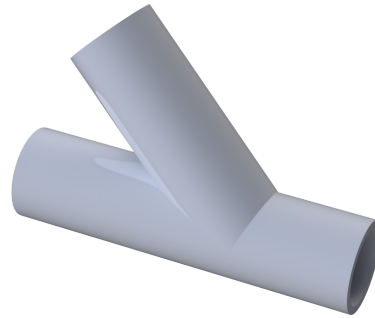
FABRICATED TEE

Size inch	SDR 9	SDR 11	SDR 17
	Part Number	Part Number	Part Number
4	4611040	4711040	4510040
6	4611060	4711060	4510060
8	4611080	4711080	4510080
10	4611100	4711100	4510100
12	4611120	4711120	4510120
14	4611140	4711140	4510140
16	4611160	4711160	4510160
18	4611180	4711180	4510180
20	4611200	4711200	4510200
24	4611240	4711240	4510240



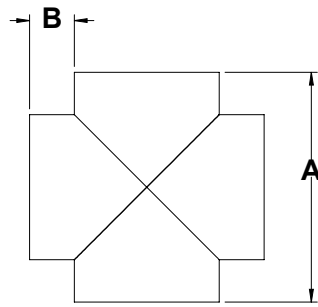
FABRICATED 45 DEGREE LATERAL

Size inch	L	L1	L2	SDR	PSI	Weight (lbs.)
4	22.0	7.0	22.0	9	100	16
				11	80	14
				17	50	12
6	28.0	7.0	28.0	9	100	42
				11	80	33
				17	50	30
8	30.0	8.0	30.0	9	100	74
				11	80	59
				17	50	51
10	31.0	8.0	31.0	9	100	98
				11	80	79
				17	50	55
12	33.0	11.0	33.0	9	100	148
				11	80	124
				17	50	84
14	42.0	11.0	42.0	9	100	217
				11	80	181
				17	50	123
16	44.0	13.0	44.0	9	100	311
				11	80	258
				17	50	174
18	57.0	14.0	57.0	9	100	493
				11	80	415
				17	50	280
20	65.0	14.0	65.0	9	100	675
				11	80	563
				17	50	382
24	69.0	15.0	69.0	9	100	1033
				11	80	861
				17	50	583



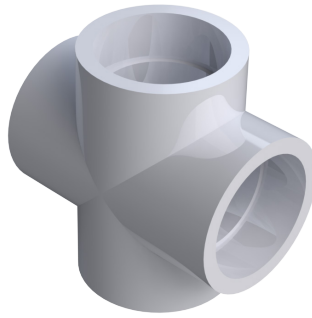
FABRICATED 45 DEGREE LATERAL

Size	SDR 9	SDR 11	SDR 17
inch	Part Number	Part Number	Part Number
4	4752040	4750040	4753040
6	4752060	4750060	4753060
8	4752080	4750080	4753080
10	4752100	4750100	4753100
12	4752120	4750120	4753120
14	4752140	4750140	4753140
16	4752160	4750160	4753160
18	4752180	4750180	4753180
20	4752200	4750200	4753200
24	4752240	4750240	4753240



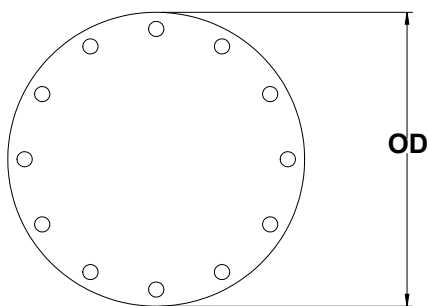
FABRICATED CROSS

Size inch	A	B	SDR	PSI	Weight (lbs.)
4	16.5	6.0	9	100	10
			11	80	8
			17	50	7
6	18.6	6.0	9	100	22
			11	80	18
			17	50	16
8	24.6	8.0	9	100	50
			11	80	41
			17	50	34
10	26.8	8.0	9	100	67
			11	80	55
			17	50	38
12	28.8	8.0	9	100	99
			11	80	84
			17	50	56



FABRICATED CROSS

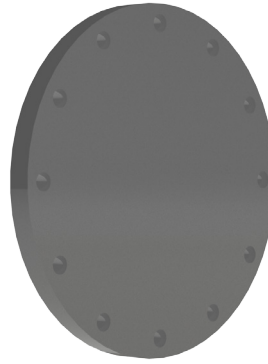
Size	SDR 9	SDR 11	SDR 17
inch	Part Number	Part Number	Part Number
4	4716040	4718040	4719040
6	4716060	4718060	4719060
8	4716080	4718080	4719080
10	4716100	4718100	4719100
12	4716120	4718120	4719120



HDPE Blind Flange 150#

1" Thick Blind Flanges				2" Thick Blind Flanges		
Description	Part Number	OD	Weight (lbs.)	Part Number	OD	EA
2" 150# Blind Flange	4921020	6.00	1	4922020	6.00	2
3" 150# Blind Flange	4921030	7.50	2	4922030	7.50	4
4" 150# Blind Flange	4921040	9.00	3	4922040	9.00	6
6" 150# Blind Flange	4921060	11.00	4	4922060	11.00	8
8" 150# Blind Flange	4921080	13.50	5	4922080	13.50	10
10" 150# Blind Flange	4921100	16.00	7	4922100	16.00	14
12" 150# Blind Flange	4921120	19.00	10	4922120	19.00	20
14" 150# Blind Flange	4921140	21.00	12	4922140	21.00	24
16" 150# Blind Flange	4921160	23.50	15	4922160	23.50	30
18" 150# Blind Flange	4921180	25.00	18	4922180	25.00	36
20" 150# Blind flange	4921200	27.50	21	4922200	27.50	42
22" 150# Blind Flange	4921220	29.50	24	4922220	29.50	48
24" 150# Blind Flange	4921240	32.00	28	4922240	32.00	56

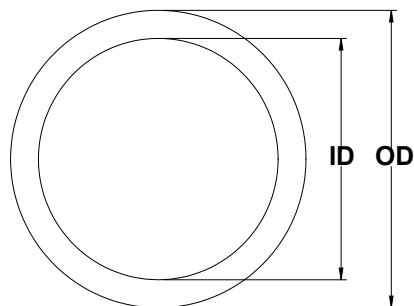
Machined blind flanges are non-pressurized.



HDPE Blind Flange 150#

1" Thick Blind Flanges		2" Thick Blind Flanges	
Description	Part Number	Description	Part Number
2" x 1" 150# Blind Flange	4921020	2" x 2" 150# Blind Flange	4922020
3" x 1" 150# Blind Flange	4921030	3" x 2" 150# Blind Flange	4922030
4" x 1" 150# Blind Flange	4921040	4" x 2" 150# Blind Flange	4922040
6" x 1" 150# Blind Flange	4921060	6" x 2" 150# Blind Flange	4922060
8" x 1" 150# Blind Flange	4921080	8" x 2" 150# Blind Flange	4922080
10" x 1" 150# Blind Flange	4921100	10" x 2" 150# Blind Flange	4922100
12" x 1" 150# Blind Flange	4921120	12" x 2" 150# Blind Flange	4922120
14" x 1" 150# Blind Flange	4921140	14" x 2" 150# Blind Flange	4922140
16" x 1" 150# Blind Flange	4921160	16" x 2" 150# Blind Flange	4922160
18" x 1" 150# Blind Flange	4921180	18" x 2" 150# Blind Flange	4922180
20" x 1" 150# Blind flange	4921200	20" x 2" 150# Blind flange	4922200
22" x 1" 150# Blind Flange	4921220	22" x 2" 150# Blind Flange	4922220
24" x 1" 150# Blind Flange	4921240	24" x 2" 150# Blind Flange	4922240

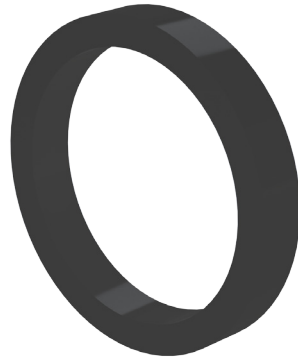
Machined blind flanges are non-pressurized.



HDPE Ring Spacer 150#

Description	Part Number	OD	ID	Thickness	Weight (lbs.)
2" x 1" Ring Spacer	4923020	4.00	2.375	1.0	1
3" x 1" Ring Spacer	4923030	5.25	3.50	1.0	1
4" x 1.5" Ring Spacer	4923040	6.75	4.50	1.5	1
6" x 2" Ring Spacer	4923060	8.63	6.625	2.0	2
8" x 2" Ring Spacer	4923080	10.88	8.625	2.0	2
10" x 2" Ring Spacer	4923100	13.25	10.75	2.0	3
12" x 2" Ring Spacer	4923120	16.00	12.75	2.0	4
14" x 2" Ring Spacer	4923140	17.63	14.00	2.0	5
16" x 2" Ring Spacer	4923160	20.13	16.00	2.0	7
18" x 3" Ring Spacer	4923180	21.50	18.00	3.0	9
20" x 3" Ring Spacer	4923200	23.88	20.00	3.0	21
22" x 3" Ring Spacer	4923220	25.88	22.00	3.0	26
24" x 3" Ring Spacer	4923240	28.13	24.00	3.0	31

Other flange specifications and styles available. Please contact factory for custom quote.



HDPE Ring Spacer 150#

Description	Part Number
2" x 1" Ring Spacer	4923020
3" x 1" Ring Spacer	4923030
4" x 1.5" Ring Spacer	4923040
6" x 2" Ring Spacer	4923060
8" x 2" Ring Spacer	4923080
10" x 2" Ring Spacer	4923100
12" x 2" Ring Spacer	4923120
14" x 2" Ring Spacer	4923140
16" x 2" Ring Spacer	4923160
18" x 3" Ring Spacer	4923180
20" x 3" Ring Spacer	4923200
22" x 3" Ring Spacer	4923220
24" x 3" Ring Spacer	4923240

Other flange specifications and styles available. Please contact factory for custom quote.

Your Experts in Plastics™



655 Andover St.
Lawrence, MA 01843



702 East Airline Highway
Gramercy, LA 70052

Tel: 800-343-3618; 781-321-5409
Direct Sales: East (800) 232-7244
Central (800) 442-7244
West (800) 282-7244

Fax: 800-787-6861
www.asahi-america.com
asahi@asahi-america.com

**Another
Corrosion
Problem
Solved.™**