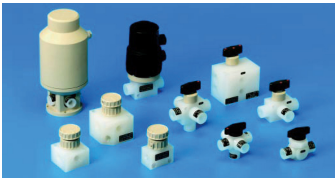


Ball valves have proven their worth in practice: wherever aggressive gases and liquids are to be safely and reliably shut-off, isolated, mixed or distributed, a ball valve is ideal for a variety of tasks. When ball valves are used, pressure losses are minimal and power consumption very low compared to other shut-off fittings. The design features of these ball valves provide a high level of safety and reliability: the shut-off body comprises the ball with a drilled hole from which the component gets its name; when the valve is open the full rated cross-section is available. The ball, manufactured in one piece with the stem, is centred by sealing sleeves; the O-ring stem seal provides sealing upwards. All valves are manufactured as standard with female threads so that they can be screwed to a very wide range of connection modules. The valves are available in various plastics and in a very wide variety of types – from the 2-way ball valve to the 5-way ball valve, thus making the valves suitable for many different practical applications. 7, 9 or 11- way ball valves are available as special designs on request.



Ball valves 6A 557
7- to 11-way ball valves in PVDF and PTFE, manual operated.



Ball valves 6D 559
2- to 4-way ball valves (Series 6L) wit pneumatic part-turn actuator (STANDARD).



Ball valves 6E 566
7- to 11-way ball valves (Series 6A) with electrical part-turn actuator (STANDARD).



Ball valves 6G 569
2- to 5-way ball valves (Series 6L) wit electrical part-turn actuator (STANDARD).



Ball valves 6L 576
2- to 5-way ball valves (Series 6L) in PP, natural PP, PVDF and PFA. Manual operated.



Ball valves 6R 587
2- to 4-way ball valves (Series 6L) wit pneumatic part-turn actuator (COMPACT).



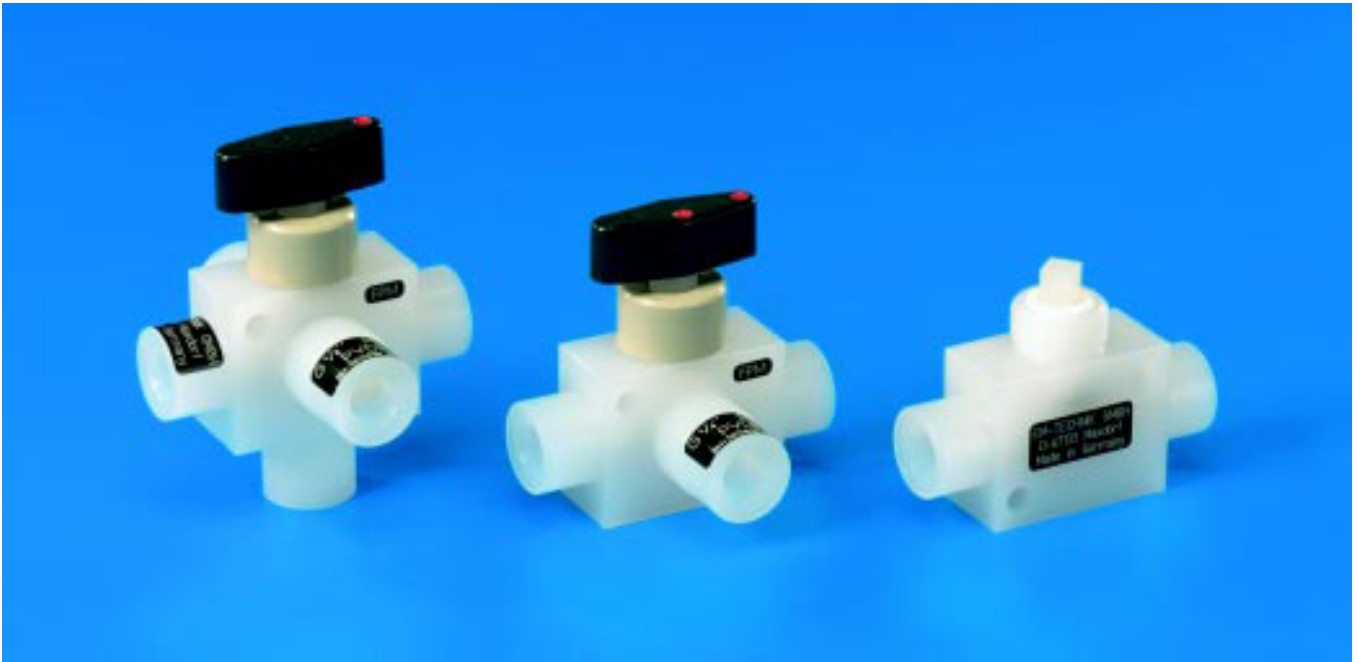
Multiport bal valves 6X 591
Multiport ball valves 6X with pneumatic part-turn actuator (STANDARD), for controlling two media flows synchronously.



Multiport ball valves 6Y ??
Multiport ball valves 6Y with electrical part-turn actuator, for controlling two media flows synchronously.



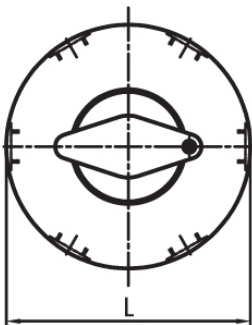
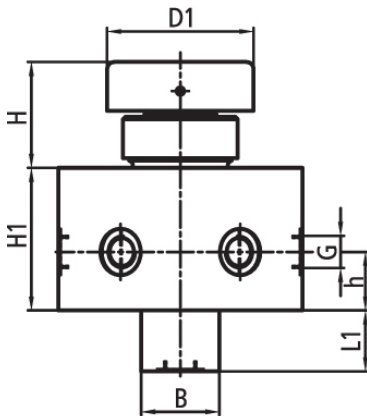
Multiport ball valves 6Z 594
Multiport ball valves 6Z, manual operated, for controlling two media flows synchronously.



- 1) Ball and stem made in one piece
- 2) Stem sealing with O-ring
- 3) Housing made of PVDF and PTFE ⇒ Very high media resistance
- 4) Sealing sleeves made of PTFE ⇒ Max. media resistance
- 5) Female G-thread seamless in accordance with DIN ⇒ Numerous connection options

The Series 6A ball valves have been in our product range for years. Today they are predominantly in demand in PTFE. Designs in PVDF are also possible as standard. Following the introduction of our light Series 6L, the 2 to 5-way ball valves are today primarily used as spares in existing plants. In this way existing retaining holes can still be used. The Series 6A ball valves are available in various nominal diameters and numerous versions. A special advantage for the user: with the 7, 9 or 11-way ball valve designs even demanding tasks can be reliably and safely addressed.

Ball valve (Series 6A), manual, 7-way, with L-bore, in block form



Article-Nr	Nominal Diameter	Connection	Material
6A770F0414PTFP	DN04	G1/4"	PTFE/FPM
6A770F0414PVFP	DN04	G1/4"	PVDF/FPM

Dimensions 6A...

	G	L	L1	L5	B	h	H	H1	a	d	d1	D1
6A770... G 1/4"	98	25	-	32	∅	24	~78	58.5	-	-	-	60
6A790 G 1/4"	∅	120	25	7	∅	60	~117	70	95	6.5	12	-
6A711... G 1/4"	∅	120	25	7	∅	60	~117	70	95	6.5	12	-

Technical data 6A...

Max. media temperature*	PVDF	PTFE
	120 °C	150 °C
Pressure stage	PN 10	PN 6
Kvs-value	DN 04	
6A770...	0.58 m ³ /h	
6A790...	0.58 m ³ /h	
6A711...	0.58 m ³ /h	

* Starting from the nominal pressure rating (20 °C), the permissible pressure reduces with increasing temperature!

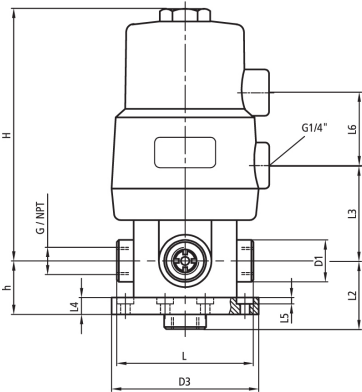
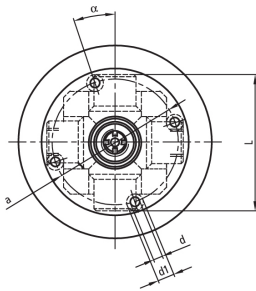


- 1) Housing made of glassfibre reinforced PP
- 2) Connection G 1/4" female thread
- 3) Control using neutral, gaseous media
- 4) Series 6L ball valve
- 5) Mounting using special mounting bracket

The Series 6D ball valves comprise Series 6L ball valves and our pneumatic part-turn actuator 6P4000.00. The pneumatic partturn actuator provides reliable ball valve operation. The piston drive is compact and maintenance-free and can be operated with all neutral, gaseous media. As standard the actuator has a spring-return.

Ball valve (Series 6D) with pneumatic part-turn actuator (STANDARD), spring return, 2-way

6



Article-Nr	Nominal Diameter	Connection	Material
6D701F0414PFFK	DN04	G1/4"	PFA/FFKM
6D701F0414PFFP	DN04	G1/4"	PFA/FPM
6D701F0414PPEP	DN04	G1/4"	PP/EPDM
6D701F0414PPFP	DN04	G1/4"	PP/FPM
6D701F0414PVEP	DN04	G1/4"	PVDF/EPDM
6D701F0414PVFK	DN04	G1/4"	PVDF/FFKM
6D701F0414PVFP	DN04	G1/4"	PVDF/FPM
6D701F0614PFFK	DN06	G1/4"	PFA/FFKM
6D701F0614PFFP	DN06	G1/4"	PFA/FPM
6D701F0614PPFP	DN06	G1/4"	PP/FPM
6D701F0614PVFK	DN06	G1/4"	PVDF/FFKM
6D701F0614PVFP	DN06	G1/4"	PVDF/FPM
6D701F0812PFFK	DN08	G1/2"	PFA/FFKM
6D701F0812PFFP	DN08	G1/2"	PFA/FPM
6D701F0812PPEP	DN08	G1/2"	PP/EPDM
6D701F1012PFFK	DN10	G1/2"	PFA/FFKM
6D701F1012PFFP	DN10	G1/2"	PFA/FPM
6D701F1012PPEP	DN10	G1/2"	PP/EPDM
6D701F1012PPFP	DN10	G1/2"	PP/FPM
6D701F1012PVFK	DN10	G1/2"	PVDF/FFKM
6D701F1012PVFP	DN10	G1/2"	PVDF/FPM
6D801F0414PFFK	DN04	NPT1/4"	PFA/FFKM
6D801F0414PFFP	DN04	NPT1/4"	PFA/FPM
6D801F0414PPEP	DN04	NPT1/4"	PP/EPDM
6D801F0414PVFK	DN04	NPT1/4"	PVDF/FFKM
6D801F0414PVFP	DN04	NPT1/4"	PVDF/FPM
6D801F0812PFFK	DN08	NPT1/2"	PFA/FFKM
6D801F0812PFFP	DN08	NPT1/2"	PFA/FPM
6D801F0812PPFP	DN08	NPT1/2"	PP/FPM
6D801F0812PVFP	DN08	NPT1/2"	PVDF/FPM

Dimensions 6D...

	G / NPT	L	L2	L3	L4	L5	L6	H	h	D1	D3	a	d	d1	α
6D...	65	~	8	3	34	~	~	120,5	25,5	∅ 20	∅ 70	60	4.5	8	18,5°
6D...	1/4"	32,5	45,5	~	10	4	34	~	~	∅ 30	∅ 96	83	4.5	10	25°
6D...	1/2"	100	45,5	~	10	4	34	145,	32	∅ 30	∅ 96	83	4.5	10	25°

Materials 6L..., 6D..., 6H..., 6G..., 6R...

	PP	PVDF	PFA
Housing	PP	PVDF	PFA
Ball	PP	PVDF	PTFE
Sealing sleeve	PTFE	PTFE	PTFE
Pressure screw**	PP	PVDF	PTFE
O-ring*	FPM	FPM	FPM

* EPDM, FFKM on request ** only with G1/2" or NPT

Technical data 6D...

Max. media temperature*	PP	PVDF	PFA
	90°C	120°C	180°C
Pressure stage	PN 10		
Kvs-value	DN 04	DN 06	DN 08
6D701...	0.61 m ³ /h	0.9 m ³ /h	./.
6D702...	0.58 m ³ /h	0.85 m ³ /h	./.
6D732...	0.58 m ³ /h	0.85 m ³ /h	./.
6D733...	0.58 m ³ /h	0.85 m ³ /h	./.
6D741...	0.61 m ³ /h	0.9 m ³ /h	./.

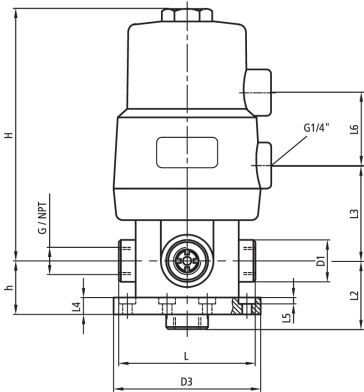
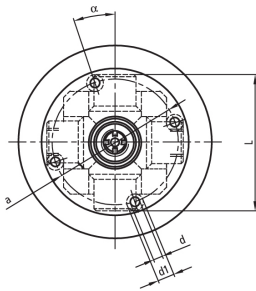
.....continued on the next page

Max. media temperature*	PP	PVDF	PFA	
6D744. . .	0.45 m ³ /h	0.65 m ³ /h	./.	./.
6D801. . .	0.61 m ³ /h	./.	1.9 m ³ /h	./.
6D802. . .	0.58 m ³ /h	./.	./.	./.
6D832. . .	0.58 m ³ /h	./.	1.6 m ³ /h	./.
6D833. . .	0.58 m ³ /h	./.	1.6 m ³ /h	./.
6D841. . .	0.61 m ³ /h	./.	1.6 m ³ /h	./.
6D844. . .	0.45 m ³ /h	./.	./.	./.

* Starting from the nominal pressure rating (at 20°C), the permissible pressure reduces with increasing temperature!

Ball valve (Series 6D) with pneumatic part-turn actuator (STANDARD), spring return, 3-way, vartical, with L-bore

6



Article-Nr	Nominal Diameter	Connection	Material
6D702F0414PFFP	DN04	G1/4"	PFA/FPM
6D702F0414PVFP	DN04	G1/4"	PVDF/FPM
6D802F0414PFFP	DN04	NPT1/4"	PFA/FPM
6D802F0414PVFP	DN04	NPT1/4"	PVDF/FPM

Dimensions 6D. . .

	G / NPT	L	L2	L3	L4	L5	L6	H	h	D1	D3	a	d	d1	α
6D. . .	1/4"	65	32.5	~ 45,5	8	3	34	~ 120,5	~ 25,5	∅ 20	∅ 70	∅ 60	4.5	8	18,5°
6D. . .	1/2"	100	50	~ 45,5	10	4	34	~ 145,	~ 32	∅ 30	∅ 96	∅ 83	4.5	10	25°

Materials 6L. . ., 6D. . ., 6H. . ., 6G. . ., 6R. . .

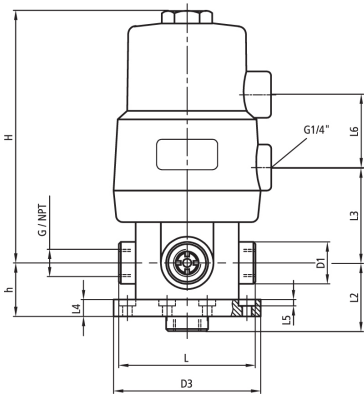
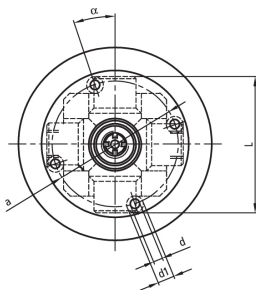
Housing	PP	PVDF	PFA
Ball	PP	PVDF	PTFE
Sealing sleeve	PTFE	PTFE	PTFE
Pressure screw**	PP	PVDF	PTFE
O-ring*	FPM	FPM	FPM

Technical data 6D. . .

Max. media temperature*	PP	PVDF	PFA	
	90 °C	120 °C	180 °C	
Pressure stage	PN 10			
Kvs-value	DN 04	DN 06	DN 08	DN 10
6D701. . .	0.61 m ³ /h	0.9 m ³ /h	./.	3.9 m ³ /h
6D702. . .	0.58 m ³ /h	0.85 m ³ /h	./.	./.
6D732. . .	0.58 m ³ /h	0.85 m ³ /h	./.	3.7 m ³ /h
6D733. . .	0.58 m ³ /h	0.85 m ³ /h	./.	3.7 m ³ /h
6D741. . .	0.61 m ³ /h	0.9 m ³ /h	./.	3.9 m ³ /h
6D744. . .	0.45 m ³ /h	0.65 m ³ /h	./.	./.
6D801. . .	0.61 m ³ /h	./.	1.9 m ³ /h	./.
6D802. . .	0.58 m ³ /h	./.	./.	./.
6D832. . .	0.58 m ³ /h	./.	1.6 m ³ /h	./.
6D833. . .	0.58 m ³ /h	./.	1.6 m ³ /h	./.
6D841. . .	0.61 m ³ /h	./.	1.6 m ³ /h	./.
6D844. . .	0.45 m ³ /h	./.	./.	./.

Ball valve (Series 6D) with pneumatic part-turn actuator (STANDARD), spring return, 3-way, horizontal, with L-bore

6



Article-Nr	Nominal Diameter	Connection	Material
6D732F0414PFEP	DN04	G1/4"	PFA/EPDM
6D732F0414PFFK	DN04	G1/4"	PFA/FFKM
6D732F0414PFFP	DN04	G1/4"	PFA/FPM
6D732F0414PPFP	DN04	G1/4"	PP/FPM
6D732F0414PVFK	DN04	G1/4"	PVDF/FFKM
6D732F0414PVFP	DN04	G1/4"	PVDF/FPM
6D732F0614PFFK	DN06	G1/4"	PFA/FFKM
6D732F0614PFFP	DN06	G1/4"	PFA/FPM
6D732F0614PPFP	DN06	G1/4"	PP/FPM
6D732F0614PVFK	DN06	G1/4"	PVDF/FFKM
6D732F0614PVFP	DN06	G1/4"	PVDF/FPM
6D732F0812PFFK	DN08	G1/2"	PFA/FFKM
6D732F1012PFFK	DN10	G1/2"	PFA/FFKM
6D732F1012PFFP	DN10	G1/2"	PFA/FPM
6D732F1012PPEP	DN10	G1/2"	PP/EPDM
6D732F1012PPFP	DN10	G1/2"	PP/FPM
6D732F1012PVEP	DN10	G1/2"	PVDF/EPDM
6D732F1012PVFK	DN10	G1/2"	PVDF/FFKM
6D732F1012PVFP	DN10	G1/2"	PVDF/FPM
6D832F0414PFFK	DN04	NPT1/4"	PFA/FFKM
6D832F0414PFFP	DN04	NPT1/4"	PFA/FPM
6D832F0414PVFK	DN04	NPT1/4"	PVDF/FFKM
6D832F0414PVFP	DN04	NPT1/4"	PVDF/FPM
6D832F0812PFFP	DN08	NPT1/2"	PFA/FPM
6D832F0812PVFP	DN08	NPT1/2"	PVDF/FPM

Dimensions 6D...

	G / NPT	L	L2	L3	L4	L5	L6	H	h	D1	D3	a	d	d1	α
6D...	1/4"	65	32.5	~ 45,5	8	3	34	~ 120,5	~ 25,5	∅ 20	∅ 70	∅ 60	4.5	8	18,5°
6D...	1/2"	100	50	~ 45,5	10	4	34	~ 145,	~ 32	∅ 30	∅ 96	∅ 83	4.5	10	25°

Materials 6L..., 6D..., 6H..., 6G..., 6R...

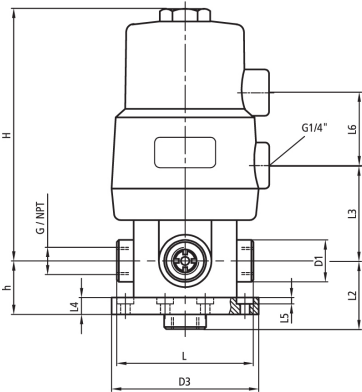
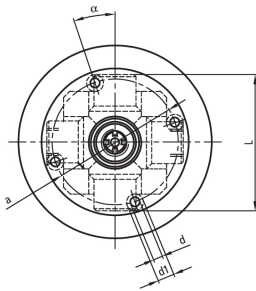
	Housing	PP	PVDF	PFA
Ball		PP	PVDF	PTFE
Sealing sleeve		PTFE	PTFE	PTFE
Pressure screw**		PP	PVDF	PTFE
O-ring*		FPM	FPM	FPM

Technical data 6D...

Max. media temperature*	PP	PVDF	PFA	
	90°C	120°C	180°C	
Pressure stage	PN 10			
Kvs-value	DN 04	DN 06	DN 08	DN 10
6D701...	0.61 m ³ /h	0.9 m ³ /h	./.	3.9 m ³ /h
6D702...	0.58 m ³ /h	0.85 m ³ /h	./.	./.
6D732...	0.58 m ³ /h	0.85 m ³ /h	./.	3.7 m ³ /h
6D733...	0.58 m ³ /h	0.85 m ³ /h	./.	3.7 m ³ /h
6D741...	0.61 m ³ /h	0.9 m ³ /h	./.	3.9 m ³ /h
6D744...	0.45 m ³ /h	0.65 m ³ /h	./.	./.
6D801...	0.61 m ³ /h	./.	1.9 m ³ /h	./.
6D802...	0.58 m ³ /h	./.	./.	./.
6D832...	0.58 m ³ /h	./.	1.6 m ³ /h	./.
6D833...	0.58 m ³ /h	./.	1.6 m ³ /h	./.
6D841...	0.61 m ³ /h	./.	1.6 m ³ /h	./.
6D844...	0.45 m ³ /h	./.	./.	./.

Ball valve (Series 6D)with pneumatic part-turn actuator (STANDARD), spring return, 3-way, horizontal, with T-bore

6



Article-Nr	Nominal Diameter	Connection	Material
6D733F0414PVFP	DN04	G1/4"	PVDF/FPM
6D733F0614PPFP	DN06	G1/4"	PP/FPM
6D733F1012PFFK	DN10	G1/2"	PFA/FFKM
6D733F1012PPFP	DN10	G1/2"	PP/FPM
6D733F1012PVFP	DN10	G1/2"	PVDF/FPM
6D833F0414PVFP	DN04	NPT1/4"	PVDF/FPM

Dimensions 6D...

	G / NPT	L	L2	L3	L4	L5	L6	H	h	D1	D3	a	d	d1	α
6D...	65			~	8	3	34	~	~	\emptyset	\emptyset	\emptyset		8	18,5°
	1/4"		32,5	45,5				120,5	25,5	20	70	60	4,5		
6D...	100		50	~	10	4	34	~	~	\emptyset	\emptyset	\emptyset		10	25°
	1/2"		45,5					145,	32	30	96	83	4,5		

Materials 6L..., 6D..., 6H..., 6G..., 6R...

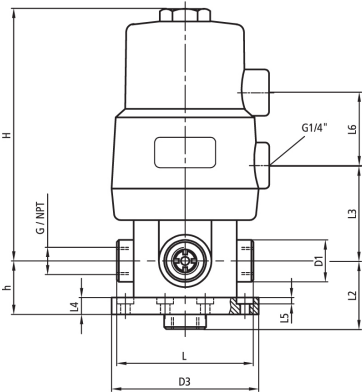
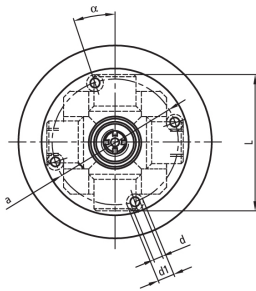
Housing	PP	PVDF	PFA
Ball	PP	PVDF	PTFE
Sealing sleeve	PTFE	PTFE	PTFE
Pressure screw**	PP	PVDF	PTFE
O-ring*	FPM	FPM	FPM

Technical data 6D...

Max. media temperature*	PP	PVDF	PFA	
	90°C	120°C	180°C	
Pressure stage	PN 10			
Kvs-value	DN 04	DN 06	DN 08	DN 10
6D701...	0.61 m ³ /h	0.9 m ³ /h	./.	3.9 m ³ /h
6D702...	0.58 m ³ /h	0.85 m ³ /h	./.	./.
6D732...	0.58 m ³ /h	0.85 m ³ /h	./.	3.7 m ³ /h
6D733...	0.58 m ³ /h	0.85 m ³ /h	./.	3.7 m ³ /h
6D741...	0.61 m ³ /h	0.9 m ³ /h	./.	3.9 m ³ /h
6D744...	0.45 m ³ /h	0.65 m ³ /h	./.	./.
6D801...	0.61 m ³ /h	./.	1.9 m ³ /h	./.
6D802...	0.58 m ³ /h	./.	./.	./.
6D832...	0.58 m ³ /h	./.	1.6 m ³ /h	./.
6D833...	0.58 m ³ /h	./.	1.6 m ³ /h	./.
6D841...	0.61 m ³ /h	./.	1.6 m ³ /h	./.
6D844...	0.45 m ³ /h	./.	./.	./.

Ball valve (Series 6D) with pneumatic part-turn actuator (STANDARD), spring return, 4-way, with double L-bore

6



Article-Nr	Nominal Diameter	Connection	Material
6D744F0414PFFK	DN04	G1/4"	PFA/FFKM
6D744F0414PFFP	DN04	G1/4"	PFA/FPM
6D744F0612PFFK	DN06	G1/2"	PFA/FFKM
6D744F0612PVFP	DN06	G1/2"	PVDF/FPM

Dimensions 6D. . .

	G / NPT	L	L2	L3	L4	L5	L6	H	h	D1	D3	a	d	d1	α
6D. . .	1/4"	65	32.5	~ 45,5	8	3	34	~ 120,5	~ 25,5	\emptyset 20	\emptyset 70	\emptyset 60	4.5	8	18,5°
6D. . .	1/2"	100	50	~ 45,5	10	4	34	~ 145,	~ 32	\emptyset 30	\emptyset 96	\emptyset 83	4.5	10	25°

Materials 6L. . ., 6D. . ., 6H. . ., 6G. . ., 6R. . .

Housing	PP	PVDF	PFA
Ball	PP	PVDF	PTFE
Sealing sleeve	PTFE	PTFE	PTFE
Pressure screw**	PP	PVDF	PTFE
O-ring*	FPM	FPM	FPM

Technical data 6D. . .

Max. media temperature*	PP	PVDF	PFA	
	90 °C	120 °C	180 °C	
Pressure stage	PN 10			
Kvs-value	DN 04	DN 06	DN 08	DN 10
6D701. . .	0.61 m ³ /h	0.9 m ³ /h	./.	3.9 m ³ /h
6D702. . .	0.58 m ³ /h	0.85 m ³ /h	./.	./.
6D732. . .	0.58 m ³ /h	0.85 m ³ /h	./.	3.7 m ³ /h
6D733. . .	0.58 m ³ /h	0.85 m ³ /h	./.	3.7 m ³ /h
6D741. . .	0.61 m ³ /h	0.9 m ³ /h	./.	3.9 m ³ /h
6D744. . .	0.45 m ³ /h	0.65 m ³ /h	./.	./.
6D801. . .	0.61 m ³ /h	./.	1.9 m ³ /h	./.
6D802. . .	0.58 m ³ /h	./.	./.	./.
6D832. . .	0.58 m ³ /h	./.	1.6 m ³ /h	./.
6D833. . .	0.58 m ³ /h	./.	1.6 m ³ /h	./.
6D841. . .	0.61 m ³ /h	./.	1.6 m ³ /h	./.
6D844. . .	0.45 m ³ /h	./.	./.	./.

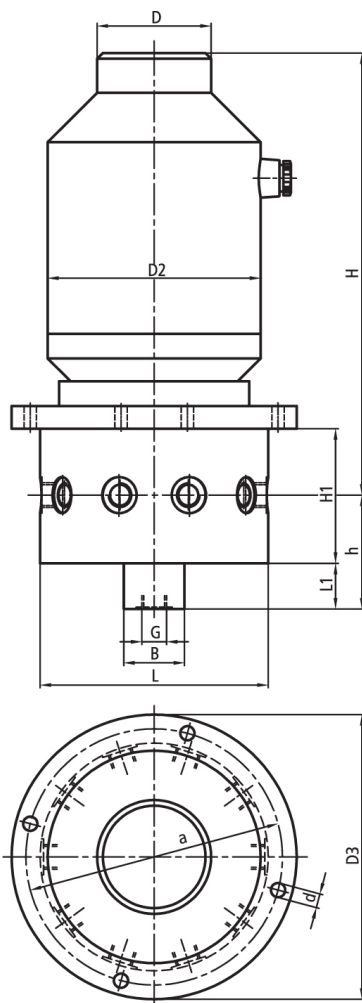


- 1) Housing made of impactresistant PP
- 2) Wear-free and inductive proximity switch as position indicator ⇒ Suitable for long-term applications ⇒ Reproducible settings
- 3) DC micromotor with planetary gear ⇒ Safe and reliable ⇒ Short switching time
- 4) Series 6A ball valve Multiway designs ⇒ 7 to 11-way

The Series 6E ball valves comprise Series 6A ball valves and our electrical part-turn actuator (STANDARD). The electrical part-turn actuator provides optimal operation of the ball valve. A high quality DC motor guarantees safety and reliability in the application. A wear-free, inductive proximity switch indicates the position of the ball. Beginning with the 7-way ball valve, actuator and ball valve are individually configured and matched.

Ball valve (Series 6E), with electrical part-turn actuator (STANDARD), 11-way, with L-bore, in block form

6



Article-Nr	Nominal Diameter	Connection	Material
6E711F0414PTFK	DN04	G1/4"	PTFE/FFKM

Dimensions 6E...

	G	L	L1	h	H	H1	B	D	D2	D3	a	d	d1
6E770.. G 1/4"	98	25	49	~ 235,5	~ 58,5	~ 70	32	60	112	-	-	-	-
6E790 G 1/4"	120	25	60	~ 248	~ 70	~ 70	32	60	112	-	135	6,5	12
6E711.. G 1/4"	120	24	60	~ 233	~ 71	~ 71	32	60	112	150	135	6,5	-

Materials 6E... and 6Z...

Housing	PVDF	PTFE
Ball	PVDF	PTFE
Sealing sleeve	PTFE	PTFE
Pressure screw**	PVDF	PTFE
O-ring*	FPM	FPM

* EPDM, FFKM on request ** only with G1/2" or NPT

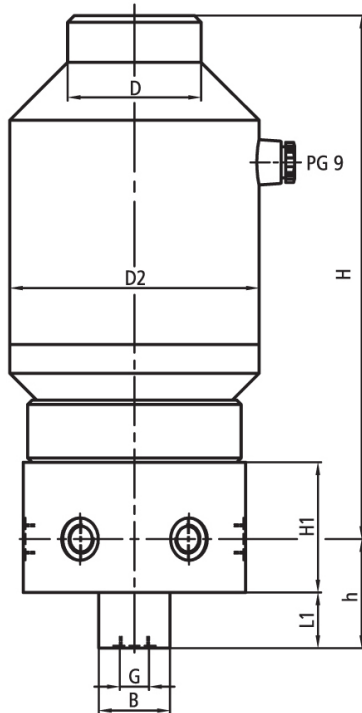
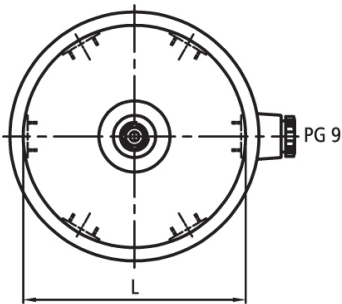
Technical data 6E...

Max. media temperature*	PVDF	PTFE
	120 °C	150 °C
Pressure stage	PN 10	PN 6
Kvs-value	DN 04	
6E770...	0.58 m ³ /h	
6E790...	0.58 m ³ /h	

* Starting from the nominal pressure rating (at 20 °C), the permissible pressure reduces with increasing temperature!

Ball valve (Series 6E), with electrical part-turn actuator (STANDARD), 7-way, with L-bore, in block form

6



Article-Nr	Nominal Diameter	Connection	Material
6E770F0414PTFK	DN04	G1/4"	PTFE/FFKM
6E770F0414PVFP	DN04	G1/4"	PVDF/FPM

Dimensions 6E. . .

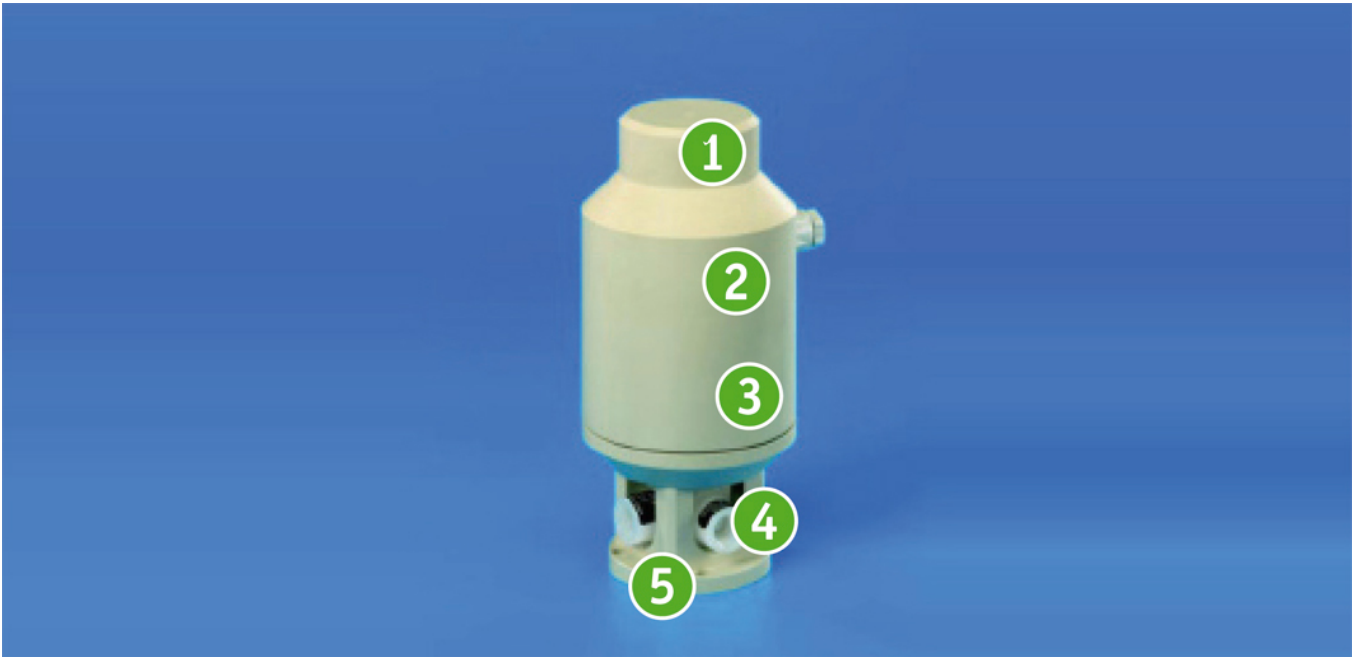
	G	L	L1	h	H	H1	B	D	D2	D3	a	d	d1
6E770. . . G 1/4"		98	25	49	~ 235,5	58,5	32	60	112	-	-	-	-
6E790 G 1/4"	∅	120	25	60	~ 248	70	32	60	112	-	∅ 135	∅ 6,5	∅ 12
6E711. . . G 1/4"	∅	120	24	60	~ 233	71	32	60	112	∅ 150	∅ 135	∅ 6,5	-

Materials 6E. . . and 6Z. . .

Housing	PVDF	PTFE
Ball	PVDF	PTFE
Sealing sleeve	PTFE	PTFE
Pressure screw**	PVDF	PTFE
O-ring*	FPM	FPM

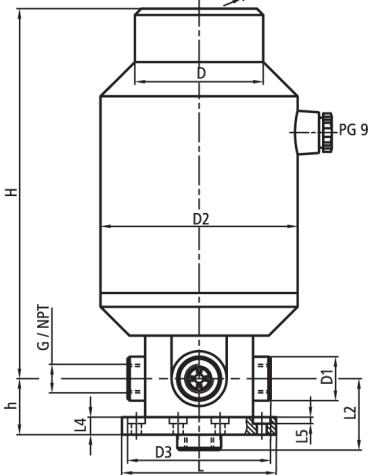
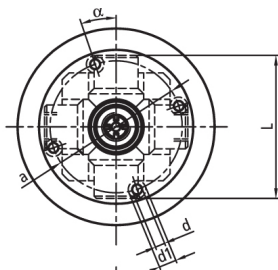
Technical data 6E. . .

Max. media temperature*	PVDF	PTFE
	120 °C	150 °C
Pressure stage	PN 10	PN 6
Kvs-value	DN 04	
6E770. . .	0.58 m ³ /h	
6E790. . .	0.58 m ³ /h	



- 1) Housing made of impactresistant PP
- 2) Wear-free and inductive proximity switch as position indicator ⇒ Suitable for long-term applications ⇒ Reproducible settings
- 3) DC micromotor with planetary gear ⇒ Safe and reliable ⇒ Short switching time
- 4) Series 6L ball valve
- 5) Mounting using special mounting bracket

The Series 6G ball valves comprise Series 6L ball valves and our electrical part-turn actuator 6E3000.00. The electrical part-turn actuator provides optimal operation of the ball valve. A high quality DC motor guarantees safety and reliability in the application. A wear-free, inductive proximity switch indicates the position of the ball.



Article-Nr	Nominal Diameter	Connection	Material
6G701F0414PFFK	DN04	G1/4"	PFA/FFKM
6G701F0414PVFP	DN04	G1/4"	PVDF/FPM
6G701F1012PFFK	DN10	G1/2"	PFA/FFKM
6G701F1012PFFP	DN10	G1/2"	PFA/FPM
6G701F1012PPFP	DN10	G1/2"	PP/FPM
6G701F1012PVFP	DN10	G1/2"	PVDF/FPM
6G802F0414PFFP	DN04	NPT1/4"	PFA/FPM

Dimensions 6G. . .

	G	L	L2	L4	L5	H	h	D	D1	D2	D3	a	d	d1	α
	/														
	NPT														
6G. . .	65			8	3	~	~	\emptyset	\emptyset	\emptyset	\emptyset	\emptyset	4.5	8	18,5°
	1/4"		32.5			172,5	25,5	60	20	92	70	60			
6G.	100			10	4	~	~	\emptyset	\emptyset	\emptyset	\emptyset	\emptyset	5.5	10	25°
	1/2"		-			197,5	32	60	30	92	96	83			

Materials 6L. . . , 6D. . . , 6H. . . , 6G. . . , 6R. . .

Housing	PP	PVDF	PFA
Ball	PP	PVDF	PTFE
Sealing sleeve	PTFE	PTFE	PTFE
Pressure screw**	PP	PVDF	PTFE
O-ring*	FPM	FPM	FPM

Technical data 6G. . .

Max. media temperature*	PP	PVDF	PFA	
	90 °C	120 °C	180 °C	
Pressure stage	PN 10			
Kvs-value	DN 04	DN 06	DN 08	DN 10
6L701. . .	0.61 m ³ /h	0.9 m ³ /h	./.	3.9 m ³ /h
6L702. . .	0.58 m ³ /h	0.85 m ³ /h	./.	./.
6L732. . .	0.58 m ³ /h	0.85 m ³ /h	./.	3.7 m ³ /h
6L733. . .	0.58 m ³ /h	0.85 m ³ /h	./.	3.7 m ³ /h
6L741. . .	0.61 m ³ /h	0.9 m ³ /h	./.	3.9 m ³ /h
6L744. . .	0.45 m ³ /h	0.65 m ³ /h	./.	./.
6L750. . .	0.58 m ³ /h	0.85 m ³ /h	./.	./.
6L801. . .	0.61 m ³ /h	./.	1.9 m ³ /h	./.
6L802. . .	0.58 m ³ /h	./.	./.	./.
6L832. . .	0.58 m ³ /h	./.	1.6 m ³ /h	./.
6L833. . .	0.58 m ³ /h	./.	1.6 m ³ /h	./.
6L841. . .	0.61 m ³ /h	./.	1.6 m ³ /h	./.
6L844. . .	0.45 m ³ /h	./.	./.	./.
6L850. . .	0.58 m ³ /h	./.	./.	./.

* Starting from the nominal pressure rating (at 20 °C), the permissible pressure reduces with increasing temperature!

Ball valve (Series 6G), 3-way, vertical, with L-bore



Article-Nr	Nominal Diameter	Connection	Material
6G702F0414PFFP	DN04	G1/4"	PFA/FPM
6G702F0614PFEP	DN06	G1/4"	PFA/EPDM

Dimensions 6G...

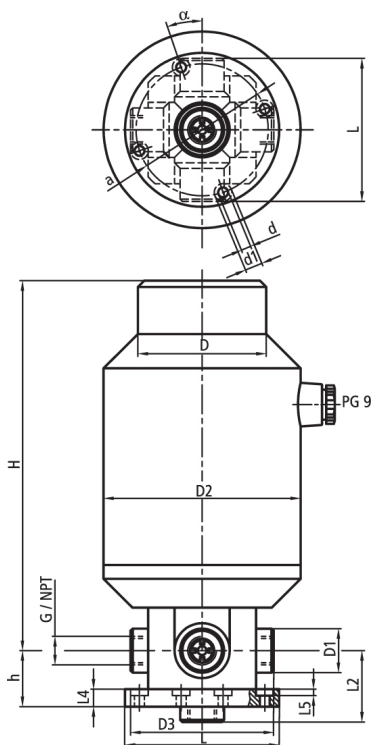
	G / NPT	L	L2	L4	L5	H	h	D	D1	D2	D3	a	d	d1	α
6G...	65 1/4"	32.5	8	3	~	~	~	~	~	~	~	~	~	~	~
6G.	100 1/2"	100	-	10	4	~	~	~	~	~	~	~	~	~	~

Materials 6L..., 6D..., 6H..., 6G..., 6R...

Housing	PP	PVDF	PFA
Ball	PP	PVDF	PTFE
Sealing sleeve	PTFE	PTFE	PTFE
Pressure screw**	PP	PVDF	PTFE
O-ring*	FPM	FPM	FPM

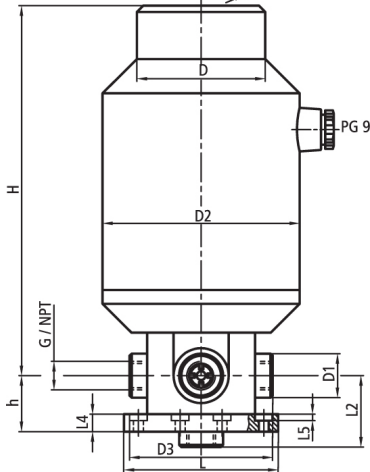
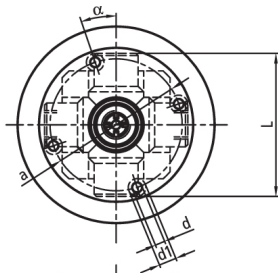
Technical data 6G...

Max. media temperature*	PP	PVDF	PFA	
	90°C	120°C	180°C	
Pressure stage	PN 10			
Kvs-value	DN 04	DN 06	DN 08	DN 10
6L701...	0.61 m ³ /h	0.9 m ³ /h	./.	3.9 m ³ /h
6L702...	0.58 m ³ /h	0.85 m ³ /h	./.	./.
6L732...	0.58 m ³ /h	0.85 m ³ /h	./.	3.7 m ³ /h
6L733...	0.58 m ³ /h	0.85 m ³ /h	./.	3.7 m ³ /h
6L741...	0.61 m ³ /h	0.9 m ³ /h	./.	3.9 m ³ /h
6L744...	0.45 m ³ /h	0.65 m ³ /h	./.	./.
6L750...	0.58 m ³ /h	0.85 m ³ /h	./.	./.
6L801...	0.61 m ³ /h	./.	1.9 m ³ /h	./.
6L802...	0.58 m ³ /h	./.	./.	./.
6L832...	0.58 m ³ /h	./.	1.6 m ³ /h	./.
6L833...	0.58 m ³ /h	./.	1.6 m ³ /h	./.
6L841...	0.61 m ³ /h	./.	1.6 m ³ /h	./.
6L844...	0.45 m ³ /h	./.	./.	./.
6L850...	0.58 m ³ /h	./.	./.	./.



Ball valve (Series 6G), 3-way, horizontal, with L-bore

6



Article-Nr	Nominal Diameter	Connection	Material
6G732F041PFFP	DN04	G1/4"	PFA/FPM
6G732F041PPFP	DN04	G1/4"	PP/FPM
6G732F041PVFP	DN04	G1/4"	PVDF/FPM
6G732F0614PFFK	DN06	G1/4"	PFA/FFKM
6G732F0614PFFP	DN06	G1/4"	PFA/FPM
6G732F0614PVFK	DN06	G1/4"	PVDF/FFKM
6G732F1012PPFK	DN10	G1/2"	PP/FFKM
6G732F1012PPFP	DN10	G1/2"	PP/FPM

Dimensions 6G. . .

	G	L	L2	L4	L5	H	h	D	D1	D2	D3	a	d	d1	α
	/														
	NPT														
6G. . .	65	8	3	~	~	\emptyset	\emptyset	\emptyset	\emptyset	\emptyset	\emptyset	8			
1/4"	32.5			172,5	25,5	60	20	92	70	60	4.5				18,5°
6G.		10	4	~	~	\emptyset	\emptyset	\emptyset	\emptyset	\emptyset	\emptyset	10			
1/2"	100			197,	32	60	30	92	96	83	5.5				25°

Materials 6L. . . , 6D. . . , 6H. . . , 6G. . . , 6R. . .

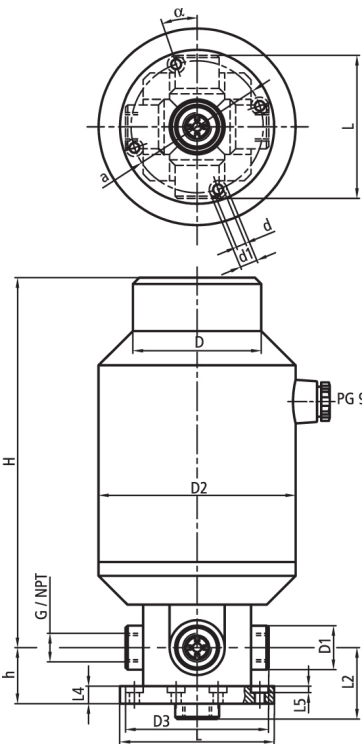
Housing	PP	PVDF	PFA
Ball	PP	PVDF	PTFE
Sealing sleeve	PTFE	PTFE	PTFE
Pressure screw**	PP	PVDF	PTFE
O-ring*	FPM	FPM	FPM

Technical data 6G. . .

Max. media temperature*	PP	PVDF	PFA	
	90 °C	120 °C	180 °C	
Pressure stage	PN 10			
Kvs-value	DN 04	DN 06	DN 08	DN 10
6L701. . .	0.61 m ³ /h	0.9 m ³ /h	./.	3.9 m ³ /h
6L702. . .	0.58 m ³ /h	0.85 m ³ /h	./.	./.
6L732. . .	0.58 m ³ /h	0.85 m ³ /h	./.	3.7 m ³ /h
6L733. . .	0.58 m ³ /h	0.85 m ³ /h	./.	3.7 m ³ /h
6L741. . .	0.61 m ³ /h	0.9 m ³ /h	./.	3.9 m ³ /h
6L744. . .	0.45 m ³ /h	0.65 m ³ /h	./.	./.
6L750. . .	0.58 m ³ /h	0.85 m ³ /h	./.	./.
6L801. . .	0.61 m ³ /h	./.	1.9 m ³ /h	./.
6L802. . .	0.58 m ³ /h	./.	./.	./.
6L832. . .	0.58 m ³ /h	./.	1.6 m ³ /h	./.
6L833. . .	0.58 m ³ /h	./.	1.6 m ³ /h	./.
6L841. . .	0.61 m ³ /h	./.	1.6 m ³ /h	./.
6L844. . .	0.45 m ³ /h	./.	./.	./.
6L850. . .	0.58 m ³ /h	./.	./.	./.

Ball valve (Series 6G), 3-way, horizontal, with T-bore

6



Article-Nr	Nominal Diameter	Connection	Material
6G733F1012PVFP	DN10	G1/2"	PVDF/FPM

Dimensions 6G...

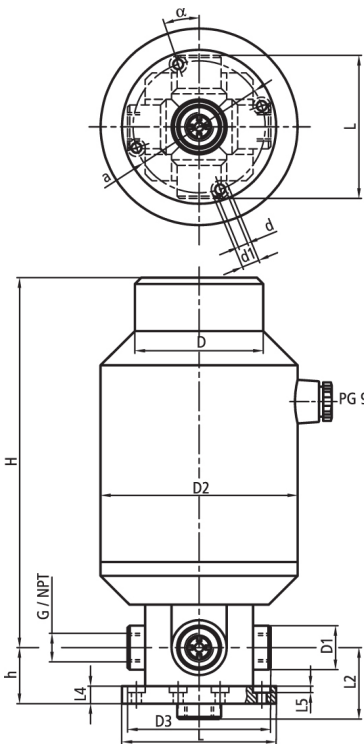
	G / NPT	L	L2	L4	L5	H	h	D	D1	D2	D3	a	d	d1	α
6G...	1/4"	65	32.5	8	3	~	~	∅	∅	∅	∅	∅	4.5	8	18,5°
6G...	1/2"	100	-	10	4	~	~	∅	∅	∅	∅	∅	5.5	10	25°

Materials 6L..., 6D..., 6H..., 6G..., 6R...

Housing	PP	PVDF	PFA
Ball	PP	PVDF	PTFE
Sealing sleeve	PTFE	PTFE	PTFE
Pressure screw**	PP	PVDF	PTFE
O-ring*	FPM	FPM	FPM

Technical data 6G...

Max. media temperature*	PP	PVDF	PFA	
	90 °C	120 °C	180 °C	
Pressure stage	PN 10			
Kvs-value	DN 04	DN 06	DN 08	DN 10
6L701...	0.61 m ³ /h	0.9 m ³ /h	./.	3.9 m ³ /h
6L702...	0.58 m ³ /h	0.85 m ³ /h	./.	./.
6L732...	0.58 m ³ /h	0.85 m ³ /h	./.	3.7 m ³ /h
6L733...	0.58 m ³ /h	0.85 m ³ /h	./.	3.7 m ³ /h
6L741...	0.61 m ³ /h	0.9 m ³ /h	./.	3.9 m ³ /h
6L744...	0.45 m ³ /h	0.65 m ³ /h	./.	./.
6L750...	0.58 m ³ /h	0.85 m ³ /h	./.	./.
6L801...	0.61 m ³ /h	./.	1.9 m ³ /h	./.
6L802...	0.58 m ³ /h	./.	./.	./.
6L832...	0.58 m ³ /h	./.	1.6 m ³ /h	./.
6L833...	0.58 m ³ /h	./.	1.6 m ³ /h	./.
6L841...	0.61 m ³ /h	./.	1.6 m ³ /h	./.
6L844...	0.45 m ³ /h	./.	./.	./.
6L850...	0.58 m ³ /h	./.	./.	./.



Article-Nr	Nominal Diameter	Connection	Material
6G744F0414PPFP	DN04	G1/4"	PFA/FPM
6G744F0414PPFP	DN04	G1/4"	PP/FPM
6G744F0612PPFP	DN06	G1/2"	PP/FPM

Dimensions 6G. . .

	G / NPT	L	L2	L4	L5	H	h	D	D1	D2	D3	a	d	d1	α
6G. . .	1/4"	65	32.5	8	3	~	~	∅ 60	∅ 20	∅ 92	∅ 70	∅ 60	4.5	8	18,5°
6G.	1/2"	100	-	10	4	~	~	∅ 60	∅ 30	∅ 92	∅ 96	∅ 83	5.5	10	25°

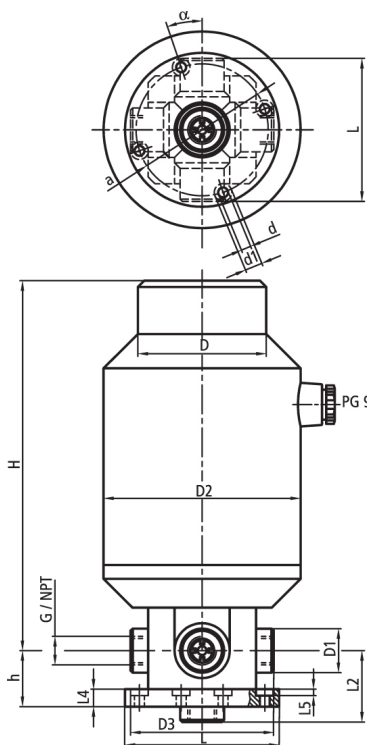
Materials 6L. . ., 6D. . ., 6H. . ., 6G. . ., 6R. . .

Housing	PP	PVDF	PFA
Ball	PP	PVDF	PTFE
Sealing sleeve	PTFE	PTFE	PTFE
Pressure screw**	PP	PVDF	PTFE
O-ring*	FPM	FPM	FPM

Technical data 6G. . .

Max. media temperature*	PP	PVDF	PFA	
	90 °C	120 °C	180 °C	
Pressure stage	PN 10			
Kvs-value	DN 04	DN 06	DN 08	DN 10
6L701. . .	0.61 m ³ /h	0.9 m ³ /h	./.	3.9 m ³ /h
6L702. . .	0.58 m ³ /h	0.85 m ³ /h	./.	./.
6L732. . .	0.58 m ³ /h	0.85 m ³ /h	./.	3.7 m ³ /h
6L733. . .	0.58 m ³ /h	0.85 m ³ /h	./.	3.7 m ³ /h
6L741. . .	0.61 m ³ /h	0.9 m ³ /h	./.	3.9 m ³ /h
6L744. . .	0.45 m ³ /h	0.65 m ³ /h	./.	./.
6L750. . .	0.58 m ³ /h	0.85 m ³ /h	./.	./.
6L801. . .	0.61 m ³ /h	./.	1.9 m ³ /h	./.
6L802. . .	0.58 m ³ /h	./.	./.	./.
6L832. . .	0.58 m ³ /h	./.	1.6 m ³ /h	./.
6L833. . .	0.58 m ³ /h	./.	1.6 m ³ /h	./.
6L841. . .	0.61 m ³ /h	./.	1.6 m ³ /h	./.
6L844. . .	0.45 m ³ /h	./.	./.	./.
6L850. . .	0.58 m ³ /h	./.	./.	./.

Ball valve (Series 6G), 5-way, with L-bore



Article-Nr	Nominal Diameter	Connection	Material
6G750F0414PFFK	DN04	G1/4"	PFA/FFKM
6G750F0414PPFP	DN04	G1/4"	PP/FPM
6G750F0614PVFP	DN06	G1/4"	PVDF/FPM

Dimensions 6G...

	G / NPT	L	L2	L4	L5	H	h	D	D1	D2	D3	a	d	d1	α
6G...	65	8	3	~	~	∅	∅	∅	∅	∅	∅	∅	8		18,5°
1/4"	32.5			172,5	25,5	60	20	92	70	60	4.5				
6G...	100	10	4	~	~	∅	∅	∅	∅	∅	∅	∅	10		25°
1/2"				197,5	32	60	30	92	96	83	5.5				

Materials 6L..., 6D..., 6H..., 6G..., 6R...

Housing	PP	PVDF	PFA
Ball	PP	PVDF	PTFE
Sealing sleeve	PTFE	PTFE	PTFE
Pressure screw**	PP	PVDF	PTFE
O-ring*	FPM	FPM	FPM

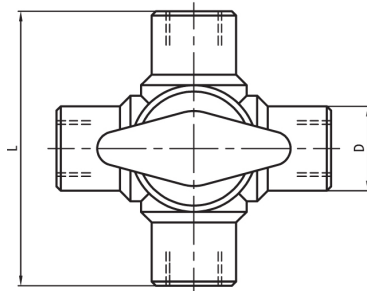
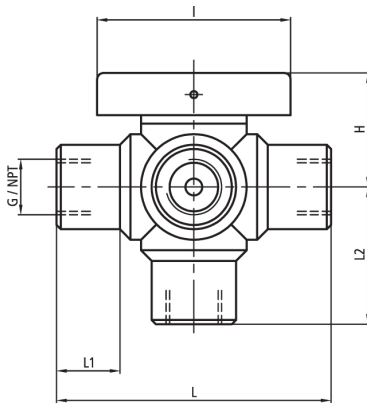
Technical data 6G...

Max. media temperature*	PP	PVDF	PFA	
	90 °C	120 °C	180 °C	
Pressure stage	PN 10			
Kvs-value	DN 04	DN 06	DN 08	DN 10
6L701...	0.61 m ³ /h	0.9 m ³ /h	./.	3.9 m ³ /h
6L702...	0.58 m ³ /h	0.85 m ³ /h	./.	./.
6L732...	0.58 m ³ /h	0.85 m ³ /h	./.	3.7 m ³ /h
6L733...	0.58 m ³ /h	0.85 m ³ /h	./.	3.7 m ³ /h
6L741...	0.61 m ³ /h	0.9 m ³ /h	./.	3.9 m ³ /h
6L744...	0.45 m ³ /h	0.65 m ³ /h	./.	./.
6L750...	0.58 m ³ /h	0.85 m ³ /h	./.	./.
6L801...	0.61 m ³ /h	./.	1.9 m ³ /h	./.
6L802...	0.58 m ³ /h	./.	./.	./.
6L832...	0.58 m ³ /h	./.	1.6 m ³ /h	./.
6L833...	0.58 m ³ /h	./.	1.6 m ³ /h	./.
6L841...	0.61 m ³ /h	./.	1.6 m ³ /h	./.
6L844...	0.45 m ³ /h	./.	./.	./.
6L850...	0.58 m ³ /h	./.	./.	./.



- 1) Thread seam-less in accordance with DIN, USAS or JIS ⇒ Numerous connection options
- 2) Nominal diameter DN 03 to DN 10 high KV value ⇒ Good flow rate even with soiled media
- 3) Sealing sleeve made of PTFE ⇒ Max. media resistance
- 4) Stem sealing with O-ring
- 5) Ball and stem made in one piece ⇒ Maximum tightness
- 6) Simultaneous centring and sealing of the ball ⇒ Maximum tightness also at the connections

The Series 6L ball valves are light and compact. They are available in various nominal diameters and versions with female G- or NPTthreads – from the simple 2-way valve to the versatile 5-way valve. The materials available (PP, PP natural, PVDF and PFA) provide high media resistance and thus offer a wide range of applications. A special fastening system makes assembly straightforward wherever required.



Article-Nr	Nominal Diameter	Connection	Material
6L701F0318PPFP	DN03	G1/8"	PP/FPM
6L701F0318PVFP	DN03	G1/8"	PVDF/FPM
6L701F0414PFEP	DN04	G1/4"	PFA/EPDM
6L701F0414PFFK	DN04	G1/4"	PFA/FFKM
6L701F0414PFFP	DN04	G1/4"	PFA/FPM
6L701F0414PNEP	DN04	G1/4"	PP-NATUR/EPDM
6L701F0414PNFP	DN04	G1/4"	PP-NATUR/FPM
6L701F0414PPEP	DN04	G1/4"	PP/EPDM
6L701F0414PPFP	DN04	G1/4"	PP/FPM
6L701F0414PVEP	DN04	G1/4"	PVDF/EPDM
6L701F0414PVFK	DN04	G1/4"	PVDF/FFKM
6L701F0414PVFP	DN04	G1/4"	PVDF/FPM
6L701F0614PFFK	DN06	G1/4"	PFA/FFKM
6L701F0614PFFP	DN06	G1/4"	PFA/FPM
6L701F0614PNFP	DN06	G1/4"	PP-NATUR/FPM
6L701F0614PPEP	DN06	G1/4"	PP/EPDM
6L701F0614PPFK	DN06	G1/4"	PP/FFKM
6L701F0614PPFP	DN06	G1/4"	PP/FPM
6L701F0614PVEP	DN06	G1/4"	PVDF/EPDM
6L701F0614PVFK	DN06	G1/4"	PVDF/FFKM
6L701F0614PVFP	DN06	G1/4"	PVDF/FPM
6L701F0812PNFP	DN08	G1/2"	PP-NATUR/FPM
6L701F0812PPFP	DN08	G1/2"	PP/FPM
6L701F0812PVFP	DN08	G1/2"	PVDF/FPM
6L701F1012PFEP	DN10	G1/2"	PFA/EPDM
6L701F1012PFFK	DN10	G1/2"	PFA/FFKM
6L701F1012PFFP	DN10	G1/2"	PFA/FPM
6L701F1012PNEP	DN10	G1/2"	PP-NATUR/EPDM
6L701F1012PNFP	DN10	G1/2"	PP-NATUR/FPM
6L701F1012PPEP	DN10	G1/2"	PP/EPDM
6L701F1012PPFP	DN10	G1/2"	PP/FPM
6L701F1012PVEP	DN10	G1/2"	PVDF/EPDM
6L701F1012PVFK	DN10	G1/2"	PVDF/FFKM
6L701F1012PVFP	DN10	G1/2"	PVDF/FPM
6L801F0318PFFP	DN03	NPT1/8"	PFA/FPM
6L801F0318PPFP	DN03	NPT1/8"	PP/FPM
6L801F0318PVFP	DN03	NPT1/8"	PVDF/FPM
6L801F0414PFEP	DN04	NPT1/4"	PFA/EPDM
6L801F0414PFFK	DN04	NPT1/4"	PFA/FFKM
6L801F0414PFFP	DN04	NPT1/4"	PFA/FPM
6L801F0414PNFP	DN04	NPT1/4"	PP-NATUR/FPM
6L801F0414PPEP	DN04	NPT1/4"	PP/EPDM
6L801F0414PPFP	DN04	NPT1/4"	PP/FPM
6L801F0414PVFK	DN04	NPT1/4"	PVDF/FFKM
6L801F0414PVFP	DN04	NPT1/4"	PVDF/FPM
6L801F0812PFEP	DN08	NPT1/2"	PFA/EPDM
6L801F0812PFFK	DN08	NPT1/2"	PFA/FFKM
6L801F0812PFFP	DN08	NPT1/2"	PFA/FPM
6L801F0812PPFP	DN08	NPT1/2"	PP/FPM
6L801F0812PVFK	DN08	NPT1/2"	PVDF/FFKM
6L801F0812PVFP	DN08	NPT1/2"	PVDF/FPM

Dimensions 6L...

	G / NPT	D	L	L1	L2	I	H
6L...	1/8"	16	52	13	26	39	~ 26
6L...	1/4"	20	65	15	32.5	40	~ 27
6L...	1/2"	30	100	22	-	58	~ 47

Materials 6L..., 6D..., 6H..., 6G..., 6R...

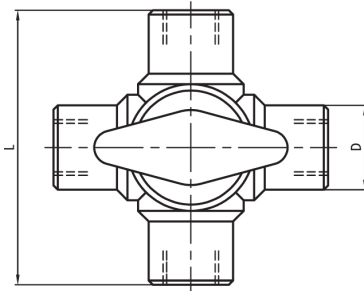
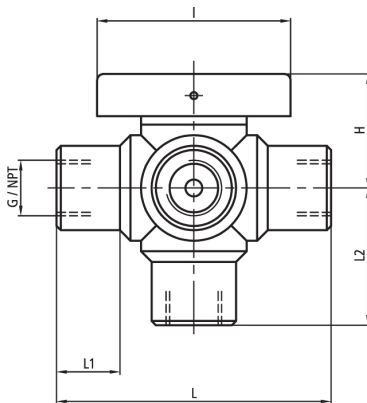
Housing	PP	PVDF	PFA
Ball	PP	PVDF	PTFE
Sealing sleeve	PTFE	PTFE	PTFE
Pressure screw**	PP	PVDF	PTFE
O-ring*	FPM	FPM	FPM

Technical data 6L . . .

Max. media temperature*	PP	PVDF	PFA		
	90 °C	120 °C	180 °C		
Pressure stage	PN 10				
Kvs-value	DN 03	DN 04	DN 06	DN 08	DN 10
6L701 . . .	0.5 m ³ /h	0.61 m ³ /h	0.9 m ³ /h	./.	3.9 m ³ /h
6L702 . . .	0.4 m ³ /h	0.58 m ³ /h	0.85 m ³ /h	./.	./.
6L732 . . .	0.4 m ³ /h	0.58 m ³ /h	0.85 m ³ /h	./.	3.7 m ³ /h
6L733 . . .	0.4 m ³ /h	0.58 m ³ /h	0.85 m ³ /h	./.	3.7 m ³ /h
6L741 . . .	0.5 m ³ /h	0.61 m ³ /h	0.9 m ³ /h	./.	3.9 m ³ /h
6L744 . . .	0.25 m ³ /h	0.45 m ³ /h	0.65 m ³ /h	./.	./.
6L750 . . .	0.4 m ³ /h	0.58 m ³ /h	0.85 m ³ /h	./.	./.
6L801 . . .	0.5 m ³ /h	0.61 m ³ /h	./.	1.9 m ³ /h	./.
6L802 . . .	0.4 m ³ /h	0.58 m ³ /h	./.	./.	./.
6L832 . . .	0.4 m ³ /h	0.58 m ³ /h	./.	1.6 m ³ /h	./.
6L833 . . .	0.4 m ³ /h	0.58 m ³ /h	./.	1.6 m ³ /h	./.
6L841 . . .	0.5 m ³ /h	0.61 m ³ /h	./.	1.6 m ³ /h	./.
6L844 . . .	0.25 m ³ /h	0.45 m ³ /h	./.	./.	./.
6L850 . . .	0.4 m ³ /h	0.58 m ³ /h	./.	./.	./.

* Starting from the nominal pressure rating (at 20 °C), the permissible pressure reduces with increasing temperature!

Ball valve (Series 6L), 3-way, vertical, with L-bore



Article-Nr	Nominal Diameter	Connection	Material
6L702F0414PFFK	DN04	G1/4"	PFA/FFKM
6L702F0414PFFP	DN04	G1/4"	PFA/FPM
6L702F0414PPFP	DN04	G1/4"	PP/FPM
6L702F0414PVEP	DN04	G1/4"	PVDF/EPDM
6L702F0414PVFK	DN04	G1/4"	PVDF/FFKM
6L702F0414PVFP	DN04	G1/4"	PVDF/FPM
6L702F0614PFFP	DN06	G1/4"	PFA/FPM
6L702F0614PPFP	DN06	G1/4"	PP/FPM
6L702F0614PVFP	DN06	G1/4"	PVDF/FPM
6L802F0414PFFK	DN04	NPT1/4"	PFA/FFKM
6L802F0414PFFP	DN04	NPT1/4"	PFA/FPM
6L802F0414PPFP	DN04	NPT1/4"	PP/FPM
6L802F0414PVFP	DN04	NPT1/4"	PVDF/FPM

Dimensions 6L...

	G / NPT	D	L	L1	L2	I	H
6L...	1/8"	16	52	13	26	39	~ 26
6L...	1/4"	20	65	15	32.5	40	~ 27
6L...	1/2"	30	100	22	-	58	~ 47

Materials 6L..., 6D..., 6H..., 6G..., 6R...

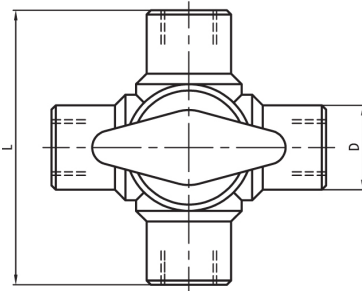
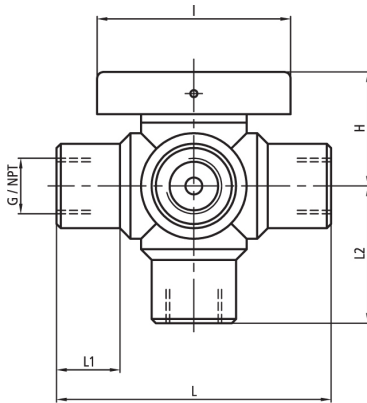
Housing	PP	PVDF	PFA
Ball	PP	PVDF	PTFE
Sealing sleeve	PTFE	PTFE	PTFE
Pressure screw**	PP	PVDF	PTFE
O-ring*	FPM	FPM	FPM

Technical data 6L...

Max. media temperature*	PP	PVDF	PFA		
	90 °C	120 °C	180 °C		
Pressure stage	PN 10				
Kvs-value	DN 03	DN 04	DN 06	DN 08	DN 10
6L701...	0.5 m ³ /h	0.61 m ³ /h	0.9 m ³ /h	./.	3.9 m ³ /h
6L702...	0.4 m ³ /h	0.58 m ³ /h	0.85 m ³ /h	./.	./.
6L732...	0.4 m ³ /h	0.58 m ³ /h	0.85 m ³ /h	./.	3.7 m ³ /h
6L733...	0.4 m ³ /h	0.58 m ³ /h	0.85 m ³ /h	./.	3.7 m ³ /h
6L741...	0.5 m ³ /h	0.61 m ³ /h	0.9 m ³ /h	./.	3.9 m ³ /h
6L744...	0.25 m ³ /h	0.45 m ³ /h	0.65 m ³ /h	./.	./.
6L750...	0.4 m ³ /h	0.58 m ³ /h	0.85 m ³ /h	./.	./.
6L801...	0.5 m ³ /h	0.61 m ³ /h	./.	1.9 m ³ /h	./.
6L802...	0.4 m ³ /h	0.58 m ³ /h	./.	./.	./.
6L832...	0.4 m ³ /h	0.58 m ³ /h	./.	1.6 m ³ /h	./.
6L833...	0.4 m ³ /h	0.58 m ³ /h	./.	1.6 m ³ /h	./.
6L841...	0.5 m ³ /h	0.61 m ³ /h	./.	1.6 m ³ /h	./.
6L844...	0.25 m ³ /h	0.45 m ³ /h	./.	./.	./.
6L850...	0.4 m ³ /h	0.58 m ³ /h	./.	./.	./.

Ball valve (Series 6L), 3-way, horizontal, with L-bore

6



Article-Nr	Nominal Diameter	Connection	Material
6L732F0318PPEP	DN03	G1/8"	PP/EPDM
6L732F0318PPFP	DN03	G1/8"	PP/FPM
6L732F0318PVFP	DN03	G1/8"	PVDF/FPM
6L732F0414PFFK	DN04	G1/4"	PFA/FFKM
6L732F0414PPFP	DN04	G1/4"	PFA/FPM
6L732F0414PNFP	DN04	G1/4"	PP-NATUR/FPM
6L732F0414PPEP	DN04	G1/4"	PP/EPDM
6L732F0414PPFP	DN04	G1/4"	PP/FPM
6L732F0414PVEP	DN04	G1/4"	PVDF/EPDM
6L732F0414PVFK	DN04	G1/4"	PVDF/FFKM
6L732F0414PVFP	DN04	G1/4"	PVDF/FPM
6L732F0614PFFK	DN06	G1/4"	PFA/FFKM
6L732F0614PPFP	DN06	G1/4"	PFA/FPM
6L732F0614PNFP	DN06	G1/4"	PP-NATUR/FPM
6L732F0614PPEP	DN06	G1/4"	PP/EPDM
6L732F0614PPFP	DN06	G1/4"	PP/FPM
6L732F0614PVEP	DN06	G1/4"	PVDF/EPDM
6L732F0614PVFK	DN06	G1/4"	PVDF/FFKM
6L732F0614PVFP	DN06	G1/4"	PVDF/FPM
6L732F0812PPFP	DN08	G1/2"	PP/FPM
6L732F1012PFFK	DN10	G1/2"	PFA/FFKM
6L732F1012PPFP	DN10	G1/2"	PFA/FPM
6L732F1012PNFP	DN10	G1/2"	PP-NATUR/FPM
6L732F1012PPEP	DN10	G1/2"	PP/EPDM
6L732F1012PPFP	DN10	G1/2"	PP/FPM
6L732F1012PVFK	DN10	G1/2"	PVDF/FFKM
6L732F1012PVFP	DN10	G1/2"	PVDF/FPM
6L832F0318PPFP	DN03	NPT1/8"	PFA/FPM
6L832F0318PVFP	DN03	NPT1/8"	PP/FPM
6L832F0414PFFK	DN04	NPT1/4"	PVDF/FPM
6L832F0414PPFP	DN04	NPT1/4"	PFA/FFKM
6L832F0414PNFP	DN04	NPT1/4"	PFA/FPM
6L832F0414PPFP	DN04	NPT1/4"	PP-NATUR/FPM
6L832F0414PVFK	DN04	NPT1/4"	PP/FPM
6L832F0414PVFP	DN04	NPT1/4"	PVDF/FFKM
6L832F0812PPFP	DN08	NPT1/2"	PVDF/FPM
6L832F0812PNFP	DN08	NPT1/2"	PFA/FPM
6L832F0812PPFP	DN08	NPT1/2"	PP-NATUR/FPM
6L832F0812PVFK	DN08	NPT1/2"	PP/FPM
6L832F0812PVFP	DN08	NPT1/2"	PVDF/FFKM
6L832F0812PVFP	DN08	NPT1/2"	PVDF/FPM

Dimensions 6L...

	G / NPT	D	L	L1	L2	I	H
6L...	1/8"	16	52	13	26	39	~ 26
6L...	1/4"	20	65	15	32.5	40	~ 27
6L...	1/2"	30	100	22	-	58	~ 47

Materials 6L..., 6D..., 6H..., 6G..., 6R...

Housing	PP	PVDF	PFA
Ball	PP	PVDF	PTFE
Sealing sleeve	PTFE	PTFE	PTFE
Pressure screw**	PP	PVDF	PTFE
O-ring*	FPM	FPM	FPM

Technical data 6L...

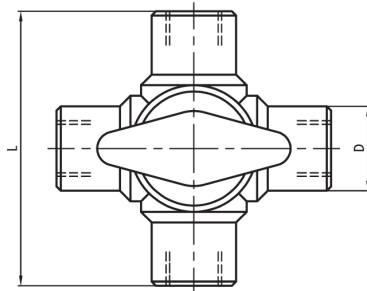
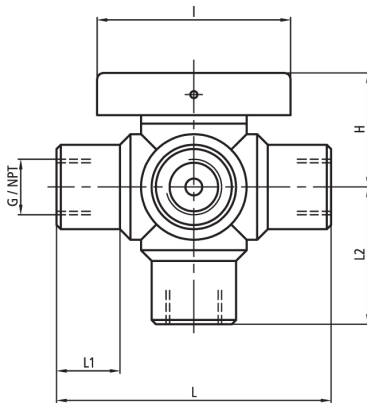
Max. media temperature*	PP	PVDF	PFA
	90 °C	120 °C	180 °C

.....continued on the next page

Max. media temperature*	PP	PVDF	PFA		
Pressure stage	PN 10				
Kvs-value	DN 03	DN 04	DN 06	DN 08	DN 10
6L701...	0.5 m ³ /h	0.61 m ³ /h	0.9 m ³ /h	./.	3.9 m ³ /h
6L702...	0.4 m ³ /h	0.58 m ³ /h	0.85 m ³ /h	./.	./.
6L732...	0.4 m ³ /h	0.58 m ³ /h	0.85 m ³ /h	./.	3.7 m ³ /h
6L733...	0.4 m ³ /h	0.58 m ³ /h	0.85 m ³ /h	./.	3.7 m ³ /h
6L741...	0.5 m ³ /h	0.61 m ³ /h	0.9 m ³ /h	./.	3.9 m ³ /h
6L744...	0.25 m ³ /h	0.45 m ³ /h	0.65 m ³ /h	./.	./.
6L750...	0.4 m ³ /h	0.58 m ³ /h	0.85 m ³ /h	./.	./.
6L801...	0.5 m ³ /h	0.61 m ³ /h	./.	1.9 m ³ /h	./.
6L802...	0.4 m ³ /h	0.58 m ³ /h	./.	./.	./.
6L832...	0.4 m ³ /h	0.58 m ³ /h	./.	1.6 m ³ /h	./.
6L833...	0.4 m ³ /h	0.58 m ³ /h	./.	1.6 m ³ /h	./.
6L841...	0.5 m ³ /h	0.61 m ³ /h	./.	1.6 m ³ /h	./.
6L844...	0.25 m ³ /h	0.45 m ³ /h	./.	./.	./.
6L850...	0.4 m ³ /h	0.58 m ³ /h	./.	./.	./.

Ball valve (Series 6L), 3-way, horizontal, with T-bore

6



Article-Nr	Nominal Diameter	Connection	Material
6L733F0318PPFP	DN03	G1/8"	PP/FPM
6L733F0318PVFP	DN03	G1/8"	PVDF/FPM
6L733F0414PFFK	DN04	G1/4"	PFA/FFKM
6L733F0414PFFP	DN04	G1/4"	PFA/FPM
6L733F0414PNFP	DN04	G1/4"	PP-NATUR/FPM
6L733F0414PPEP	DN04	G1/4"	PP/EPDM
6L733F0414PPFP	DN04	G1/4"	PP/FPM
6L733F0414PVEP	DN04	G1/4"	PVDF/EPDM
6L733F0414PVFK	DN04	G1/4"	PVDF/FFKM
6L733F0414PVFP	DN04	G1/4"	PVDF/FPM
6L733F0614PFFK	DN06	G1/4"	PFA/FFKM
6L733F0614PFFP	DN06	G1/4"	PFA/FPM
6L733F0614PPELFP	DN06	G1/4"	PP-CONDUCTIVE/FPM
6L733F0614PPEP	DN06	G1/4"	PP/EPDM
6L733F0614PPFP	DN06	G1/4"	PP/FPM
6L733F0614PVEP	DN06	G1/4"	PVDF/EPDM
6L733F0614PVFP	DN06	G1/4"	PVDF/FPM
6L733F1012PFEP	DN10	G1/2"	PFA/EPDM
6L733F1012PFFK	DN10	G1/2"	PFA/FFKM
6L733F1012PFFP	DN10	G1/2"	PFA/FPM
6L733F1012PNFP	DN10	G1/2"	PP-NATUR/FPM
6L733F1012PPEP	DN10	G1/2"	PP/EPDM
6L733F1012PPFP	DN10	G1/2"	PP/FPM
6L733F1012PVEP	DN10	G1/2"	PVDF/EPDM
6L733F1012PVFK	DN10	G1/2"	PVDF/FFKM
6L733F1012PVFP	DN10	G1/2"	PVDF/FPM
6L833F0414PFFK	DN04	NPT1/4"	PFA/FFKM
6L833F0414PFFP	DN04	NPT1/4"	PFA/FPM
6L833F0414PVFK	DN04	NPT1/4"	PVDF/FFKM
6L833F0414PVFP	DN04	NPT1/4"	PVDF/FPM
6L833F0812PFEP	DN08	NPT1/2"	PFA/EPDM
6L833F0812PFFK	DN08	NPT1/2"	PFA/FPM
6L833F0812PVEP	DN08	NPT1/2"	PVDF/EPDM
6L833F0812PVFP	DN08	NPT1/2"	PVDF/FPM

Dimensions 6L...

	G / NPT	D	L	L1	L2	I	H
6L...	1/8"	16	52	13	26	39	~ 26
6L...	1/4"	20	65	15	32.5	40	~ 27
6L...	1/2"	30	100	22	-	58	~ 47

Materials 6L..., 6D..., 6H..., 6G..., 6R...

Housing	PP	PVDF	PFA
Ball	PP	PVDF	PTFE
Sealing sleeve	PTFE	PTFE	PTFE
Pressure screw**	PP	PVDF	PTFE
O-ring*	FPM	FPM	FPM

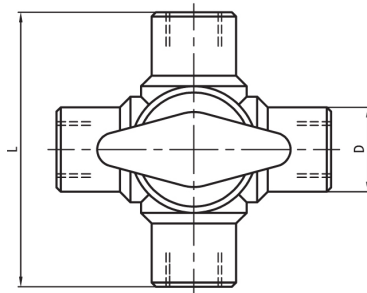
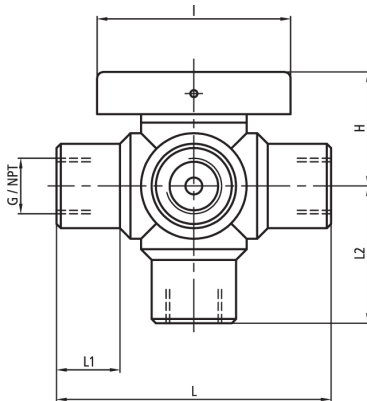
Technical data 6L...

Max. media temperature*	PP	PVDF	PFA		
	90 °C	120 °C	180 °C		
Pressure stage	PN 10				
Kvs-value	DN 03	DN 04	DN 06	DN 08	DN 10
6L701...	0.5 m ³ /h	0.61 m ³ /h	0.9 m ³ /h	./.	3.9 m ³ /h
6L702...	0.4 m ³ /h	0.58 m ³ /h	0.85 m ³ /h	./.	./.
6L732...	0.4 m ³ /h	0.58 m ³ /h	0.85 m ³ /h	./.	3.7 m ³ /h

..... continued on the next page

Max. media temperature*	PP	PVDF	PFA		
6L733...	0.4 m ³ /h	0.58 m ³ /h	0.85 m ³ /h	./.	3.7 m ³ /h
6L741...	0.5 m ³ /h	0.61 m ³ /h	0.9 m ³ /h	./.	3.9 m ³ /h
6L744...	0.25 m ³ /h	0.45 m ³ /h	0.65 m ³ /h	./.	./.
6L750...	0.4 m ³ /h	0.58 m ³ /h	0.85 m ³ /h	./.	./.
6L801...	0.5 m ³ /h	0.61 m ³ /h	./.	1.9 m ³ /h	./.
6L802...	0.4 m ³ /h	0.58 m ³ /h	./.	./.	./.
6L832...	0.4 m ³ /h	0.58 m ³ /h	./.	1.6 m ³ /h	./.
6L833...	0.4 m ³ /h	0.58 m ³ /h	./.	1.6 m ³ /h	./.
6L841...	0.5 m ³ /h	0.61 m ³ /h	./.	1.6 m ³ /h	./.
6L844...	0.25 m ³ /h	0.45 m ³ /h	./.	./.	./.
6L850...	0.4 m ³ /h	0.58 m ³ /h	./.	./.	./.

Ball valve (Series 6L), 4-way, with through bore



Article-Nr	Nominal Diameter	Connection	Material
6L741F0414PFFP	DN04	G1/4"	PFA/FPM
6L741F0414PPFP	DN04	G1/4"	PP/FPM
6L741F0414PVFP	DN04	G1/4"	PVDF/FPM

Dimensions 6L...

	G / NPT	D	L	L1	L2	I	H
6L...	1/8"	16	52	13	26	39	~ 26
6L...	1/4"	20	65	15	32.5	40	~ 27
6L...	1/2"	30	100	22	-	58	~ 47

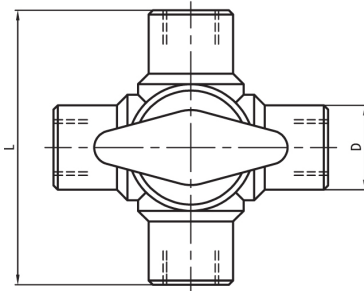
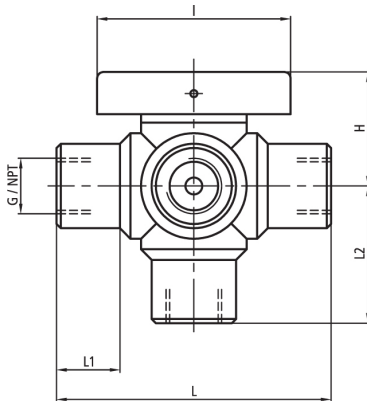
Materials 6L..., 6D..., 6H..., 6G..., 6R...

Housing	PP	PVDF	PFA
Ball	PP	PVDF	PTFE
Sealing sleeve	PTFE	PTFE	PTFE
Pressure screw**	PP	PVDF	PTFE
O-ring*	FPM	FPM	FPM

Technical data 6L...

Max. media temperature*	PP	PVDF	PFA		
	90°C	120°C	180°C		
Pressure stage	PN 10				
Kvs-value	DN 03	DN 04	DN 06	DN 08	DN 10
6L701...	0.5 m ³ /h	0.61 m ³ /h	0.9 m ³ /h	./.	3.9 m ³ /h
6L702...	0.4 m ³ /h	0.58 m ³ /h	0.85 m ³ /h	./.	./.
6L732...	0.4 m ³ /h	0.58 m ³ /h	0.85 m ³ /h	./.	3.7 m ³ /h
6L733...	0.4 m ³ /h	0.58 m ³ /h	0.85 m ³ /h	./.	3.7 m ³ /h
6L741...	0.5 m ³ /h	0.61 m ³ /h	0.9 m ³ /h	./.	3.9 m ³ /h
6L744...	0.25 m ³ /h	0.45 m ³ /h	0.65 m ³ /h	./.	./.
6L750...	0.4 m ³ /h	0.58 m ³ /h	0.85 m ³ /h	./.	./.
6L801...	0.5 m ³ /h	0.61 m ³ /h	./.	1.9 m ³ /h	./.
6L802...	0.4 m ³ /h	0.58 m ³ /h	./.	./.	./.
6L832...	0.4 m ³ /h	0.58 m ³ /h	./.	1.6 m ³ /h	./.
6L833...	0.4 m ³ /h	0.58 m ³ /h	./.	1.6 m ³ /h	./.
6L841...	0.5 m ³ /h	0.61 m ³ /h	./.	1.6 m ³ /h	./.
6L844...	0.25 m ³ /h	0.45 m ³ /h	./.	./.	./.
6L850...	0.4 m ³ /h	0.58 m ³ /h	./.	./.	./.

Ball valve (Series 6L), 4-way, with double L-bore



Article-Nr	Nominal Diameter	Connection	Material
6L744F0318PVFP	DN03	G1/8"	PVDF/FPM
6L744F0414PFFK	DN04	G1/4"	PFA/FFKM
6L744F0414PFFP	DN04	G1/4"	PFA/FPM
6L744F0414PPEP	DN04	G1/4"	PP/EPDM
6L744F0414PPFP	DN04	G1/4"	PP/FPM
6L744F0414PVEP	DN04	G1/4"	PVDF/EPDM
6L744F0414PVFK	DN04	G1/4"	PVDF/FFKM
6L744F0414PVFP	DN04	G1/4"	PVDF/FPM
6L744F0612PFFP	DN06	G1/2"	PFA/FPM
6L744F0612PPEP	DN06	G1/2"	PP/EPDM
6L744F0612PPFP	DN06	G1/2"	PP/FPM
6L744F0612PVFP	DN06	G1/2"	PVDF/FPM
6L844F0414PPFP	DN04	NPT1/4"	PP/FPM
6L844F0414PVFP	DN04	NPT1/4"	PVDF/FPM

Dimensions 6L...

	G / NPT	D	L	L1	L2	I	H
6L...	1/8"	16	52	13	26	39	~ 26
6L...	1/4"	20	65	15	32.5	40	~ 27
6L...	1/2"	30	100	22	-	58	~ 47

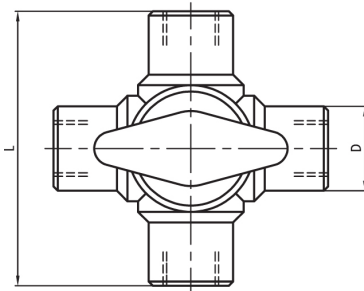
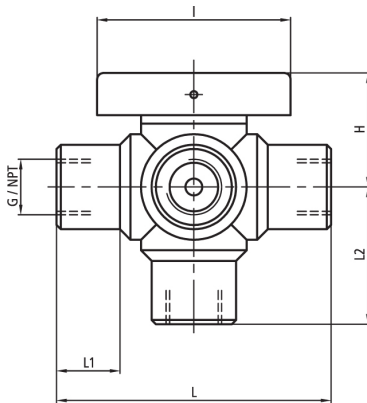
Materials 6L..., 6D..., 6H..., 6G..., 6R...

Housing	PP	PVDF	PFA
Ball	PP	PVDF	PTFE
Sealing sleeve	PTFE	PTFE	PTFE
Pressure screw**	PP	PVDF	PTFE
O-ring*	FPM	FPM	FPM

Technical data 6L...

Max. media temperature*	PP	PVDF	PFA		
	90 °C	120 °C	180 °C		
Pressure stage	PN 10				
Kvs-value	DN 03	DN 04	DN 06	DN 08	DN 10
6L701...	0.5 m ³ /h	0.61 m ³ /h	0.9 m ³ /h	./.	3.9 m ³ /h
6L702...	0.4 m ³ /h	0.58 m ³ /h	0.85 m ³ /h	./.	./.
6L732...	0.4 m ³ /h	0.58 m ³ /h	0.85 m ³ /h	./.	3.7 m ³ /h
6L733...	0.4 m ³ /h	0.58 m ³ /h	0.85 m ³ /h	./.	3.7 m ³ /h
6L741...	0.5 m ³ /h	0.61 m ³ /h	0.9 m ³ /h	./.	3.9 m ³ /h
6L744...	0.25 m ³ /h	0.45 m ³ /h	0.65 m ³ /h	./.	./.
6L750...	0.4 m ³ /h	0.58 m ³ /h	0.85 m ³ /h	./.	./.
6L801...	0.5 m ³ /h	0.61 m ³ /h	./.	1.9 m ³ /h	./.
6L802...	0.4 m ³ /h	0.58 m ³ /h	./.	./.	./.
6L832...	0.4 m ³ /h	0.58 m ³ /h	./.	1.6 m ³ /h	./.
6L833...	0.4 m ³ /h	0.58 m ³ /h	./.	1.6 m ³ /h	./.
6L841...	0.5 m ³ /h	0.61 m ³ /h	./.	1.6 m ³ /h	./.
6L844...	0.25 m ³ /h	0.45 m ³ /h	./.	./.	./.
6L850...	0.4 m ³ /h	0.58 m ³ /h	./.	./.	./.

Ball valve (Series 6L), 5-way, with L-bore



Article-Nr	Nominal Diameter	Connection	Material
6L750F0318PPFP	DN03	G1/8"	PP/FPM
6L750F0318PVFP	DN03	G1/8"	PVDF/FPM
6L750F0414PFFK	DN04	G1/4"	PFA/FFKM
6L750F0414PFFP	DN04	G1/4"	PFA/FPM
6L750F0414PPFP	DN04	G1/4"	PP/FPM
6L750F0414PVFK	DN04	G1/4"	PVDF/FFKM
6L750F0414PVFP	DN04	G1/4"	PVDF/FPM
6L850F0414PFFP	DN04	NPT1/4"	PFA/FPM
6L850F0414PPFP	DN04	NPT1/4"	PP/FPM
6L850F0414PVFP	DN04	NPT1/4"	PVDF/FPM

Dimensions 6L...

	G / NPT	D	L	L1	L2	I	H
6L...	1/8"	16	52	13	26	39	~ 26
6L...	1/4"	20	65	15	32.5	40	~ 27
6L...	1/2"	30	100	22	-	58	~ 47

Materials 6L..., 6D..., 6H..., 6G..., 6R...

Housing	PP	PVDF	PFA
Ball	PP	PVDF	PTFE
Sealing sleeve	PTFE	PTFE	PTFE
Pressure screw**	PP	PVDF	PTFE
O-ring*	FPM	FPM	FPM

Technical data 6L...

Max. media temperature*	PP	PVDF	PFA		
	90 °C	120 °C	180 °C		
Pressure stage	PN 10				
Kvs-value	DN 03	DN 04	DN 06	DN 08	DN 10
6L701...	0.5 m ³ /h	0.61 m ³ /h	0.9 m ³ /h	./.	3.9 m ³ /h
6L702...	0.4 m ³ /h	0.58 m ³ /h	0.85 m ³ /h	./.	./.
6L732...	0.4 m ³ /h	0.58 m ³ /h	0.85 m ³ /h	./.	3.7 m ³ /h
6L733...	0.4 m ³ /h	0.58 m ³ /h	0.85 m ³ /h	./.	3.7 m ³ /h
6L741...	0.5 m ³ /h	0.61 m ³ /h	0.9 m ³ /h	./.	3.9 m ³ /h
6L744...	0.25 m ³ /h	0.45 m ³ /h	0.65 m ³ /h	./.	./.
6L750...	0.4 m ³ /h	0.58 m ³ /h	0.85 m ³ /h	./.	./.
6L801...	0.5 m ³ /h	0.61 m ³ /h	./.	1.9 m ³ /h	./.
6L802...	0.4 m ³ /h	0.58 m ³ /h	./.	./.	./.
6L832...	0.4 m ³ /h	0.58 m ³ /h	./.	1.6 m ³ /h	./.
6L833...	0.4 m ³ /h	0.58 m ³ /h	./.	1.6 m ³ /h	./.
6L841...	0.5 m ³ /h	0.61 m ³ /h	./.	1.6 m ³ /h	./.
6L844...	0.25 m ³ /h	0.45 m ³ /h	./.	./.	./.
6L850...	0.4 m ³ /h	0.58 m ³ /h	./.	./.	./.



- 1) Wear-free, inductive proximity switch as position indicator ⇒ Suitable for long-term applications ⇒ Reproducible settings
- 2) Housing made of PVDF ⇒ High resistance to media
- 3) DC micro-motor with planetary gear ⇒ Safe and reliable ⇒ Short switching times
- 4) Wide variety of mounting options ⇒ Boreholes integrated into the flange plate for direct fastening onto consoles ⇒ Pipe clips for side fastening on a wall board ⇒ Fastening clamps for vertical fastening on a base plate or for wall surface mounting

The new ball valves of series 6R, with considerably reduced dimensions are now the ideal solution for space-saving mounting. Designed for long-term use.

The drive for series 6R ball valves is based on the tried and true principle of electrical part-turn actuator, which was reduced in size for series 6R and fitted with the housing of the (COMPACT) part-turn actuator. The high-quality DC motor with planetary gear ensures optimum control with short switching times. This is because a wear-free, inductive proximity switch acting as a position indicator forwards the position of the ball directly to a programmable logic controller (PLC). The PVDF housing ensures a high level of resistance to corrosion. Because of this, series 6R ball valves, which are available as 2-, 3- and 4-way ball valves, are also excellently suited for long-term use in aggressive environments. Different versions of accessories are available to ensure reliable and easy mounting. Variable connection methods

The Series 6R ball valves are supplied as standard with seam-less female threads. The EM-TECHNIK module system provides a wide variety of matching fastening and connection elements for flexible tubes and pipes, fittings, couplings or adapters.

Ball valve 6R with electrical part-turn actuator (COMPACT), 2-way

6



Article-Nr	Nominal Diameter	Connection	Material
6R701F0414PPFP	DN04	G1/4"	PP/FPM
6R701F0414PVFP	DN04	G1/4"	PVDF/FPM

Dimensions 6R...

	G1	G2	L	L1	L2	H	H1	h	h1	h2	D1	D2	d	l	l1	a	SW
6R...	1/4"	PG 7	65	15	35	~83	28,5	14	16	35,5	∅ 20	∅ 52	∅ 4,2	44	52	41	45

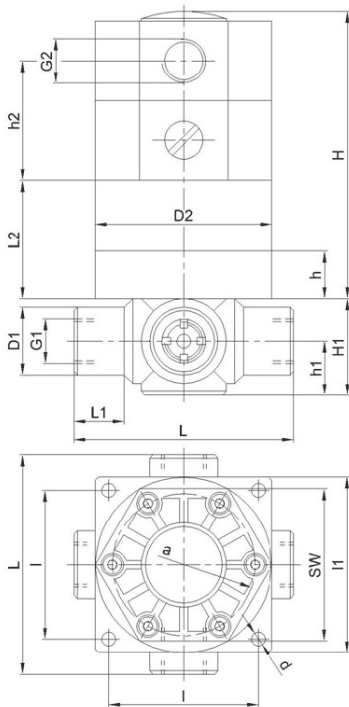
Materials 6L..., 6D..., 6H..., 6G..., 6R...

Housing	PP	PVDF	PFA
Ball	PP	PVDF	PTFE
Sealing sleeve	PTFE	PTFE	PTFE
Pressure screw**	PP	PVDF	PTFE
O-ring*	FPM	FPM	FPM

Technical data 6R...

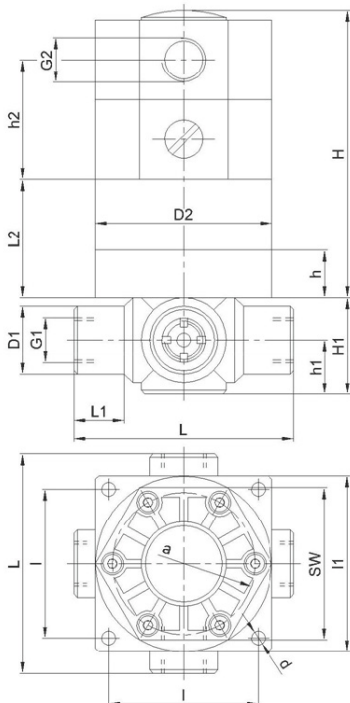
Max. media temperature*	PP	PVDF	PFA
	90°C	120°C	180°C
Pressure stage	PN 10		
Kvs-value	DN 04		
6L701...	0.61 m ³ /h		
6L732...	0.58 m ³ /h		
6L744...	0.61 m ³ /h		
6L801...	0.61 m ³ /h		
6L832...	0.58 m ³ /h		
6L844...	0.61 m ³ /h		
Electrical drive 6E502			
Max. ambient temperature	70°C		
Voltage	24 VDC		
Power consumption	180 mA		
Torque	5.5 Nm		
Protection class to EN 60529	IP 65		
Connection	PG7		

* Starting from the nominal pressure rating (at 20°C), the permissible pressure reduces with increasing temperature!



Ball valve 6R wit electrical part-turn actuator (COMPACT), 3-way with L-bore and female G-thread

6



Article-Nr	Nominal Diameter	Connection	Material
6R732F0414PVFP	DN04	G1/4"	PVDF/FPM

Dimensions 6R...

	G1	G2	L	L1	L2	H	H1	h	h1	h2	D1	D2	d	l	l1	a	SW
6R...	1/4"	PG	65	15	35	~83	28,5	14	16	35,5	∅ 20	∅ 52	∅ 4,2	44	52	41	45

Materials 6L..., 6D..., 6H..., 6G..., 6R...

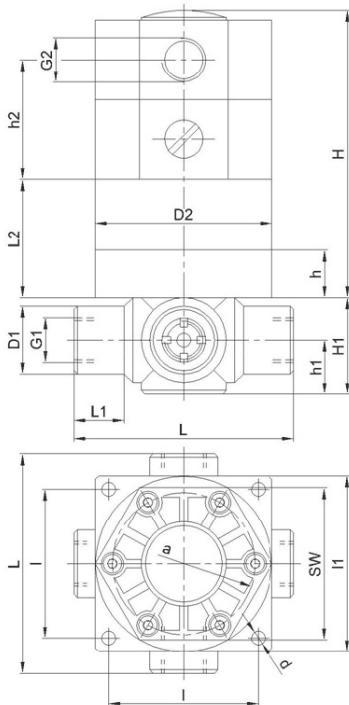
Housing	PP	PVDF	PFA
Ball	PP	PVDF	PTFE
Sealing sleeve	PTFE	PTFE	PTFE
Pressure screw**	PP	PVDF	PTFE
O-ring*	FPM	FPM	FPM

Technical data 6R...

Max. media temperature*	PP	PVDF	PFA
	90°C	120°C	180°C
Pressure stage	PN 10		
Kvs-value	DN 04		
6L701...	0.61 m ³ /h		
6L732...	0.58 m ³ /h		
6L744...	0.61 m ³ /h		
6L801...	0.61 m ³ /h		
6L832...	0.58 m ³ /h		
6L844...	0.61 m ³ /h		
Electrical drive 6E502			
Max. ambient temperature	70°C		
Voltage	24 VDC		
Power consumption	180 mA		
Torque	5.5 Nm		
Protection class to EN 60529	IP 65		
Connection	PG7		

Ball valve 6R wit electrical part-turn actuator (COMPACT), 4-way with double-L-bore and female NPT-thread

6



Article-Nr	Nominal Diameter	Connection	Material
6R844F0414PPFP	DN04	NPT1/4"	PP/FPM

Dimensions 6R...

	G1	G2	L	L1	L2	H	H1	h	h1	h2	D1	D2	d	l	l1	a	SW
6R...	1/4"	PG	65	15	35	~83	28,5	14	16	35,5	Ø 20	Ø 52	Ø 4,2	44	52	41	45
		7															

Materials 6L..., 6D..., 6H..., 6G..., 6R...

Housing	PP	PVDF	PFA
Ball	PP	PVDF	PTFE
Sealing sleeve	PTFE	PTFE	PTFE
Pressure screw**	PP	PVDF	PTFE
O-ring*	FPM	FPM	FPM

Technical data 6R...

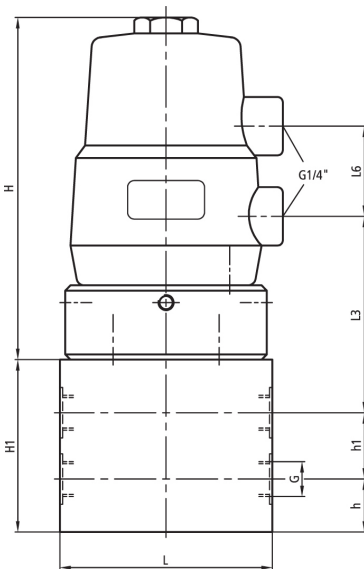
Max. media temperature*	PP	PVDF	PFA
	90°C	120°C	180°C
Pressure stage	PN 10		
Kvs-value	DN 04		
6L701...	0.61 m ³ /h		
6L732...	0.58 m ³ /h		
6L744...	0.61 m ³ /h		
6L801...	0.61 m ³ /h		
6L832...	0.58 m ³ /h		
6L844...	0.61 m ³ /h		
Electrical drive 6E502			
Max. ambient temperature	70°C		
Voltage	24 VDC		
Power consumption	180 mA		
Torque	5.5 Nm		
Protection class to EN 60529	IP 65		
Connection	PG7		

- 1) Common shaft ⇒ Synchronous switching of the media flow
- 2) Fixed assignment of the two media flows ⇒ Unintentional mixing not possible
- 3) Low maintenance
- 4) Low cost, as only one fitting is required
- 5) Compact shape. Advantageous in machinery engineering

The Series 6X multiport ball valves with pneumatic part-turn actuator comprise two multi-way ball valves that are arranged one on top of the other in a housing with 2 levels. There is no flow connection between the individual levels. With one switching process both media flows are synchronously distributed or collected using a common shaft. Unintentional mixing of the media flows is not possible. The multiport ball valve has a crucial safety advantage in practice. The materials available, PVDF and PTFE, provide high media resistance and ensure a wide range of applications. The Series 6Z multiport ball valves are also available with pneumatic or electrical part-turn actuator. One drive is sufficient for each multiport ball valve. A further important advantage: The use of multiport ball valves provides a significant cost-saving in machinery engineering, as only one fitting is needed due to the special principle of operation.

Multiport ball valve (Series 6X) with pneumatic part-turn actuator, 2-way

6



Article-Nr	Nominal Diameter	Connection	Material
6X701F0414PTFP	DN04	G1/4"	PTFE
6X701F0414PVFP	DN04	G1/4"	PVDF
6X701F1012PTFP	DN10	G1/2"	PTFE
6X701F1012PVFP	DN10	G1/2"	PVDF

Dimensions 6X. . .

	G	L	L3	L6	H	H1	h	h1
6X701. . . 6X732. . .	G 1/4"	Ø 80	~ 74	34	~ 126	65	20	25
6X701. . . 6X732. . .	G 1/2"	Ø 120	~ 88,5	67.5	~ 196	100	30	40

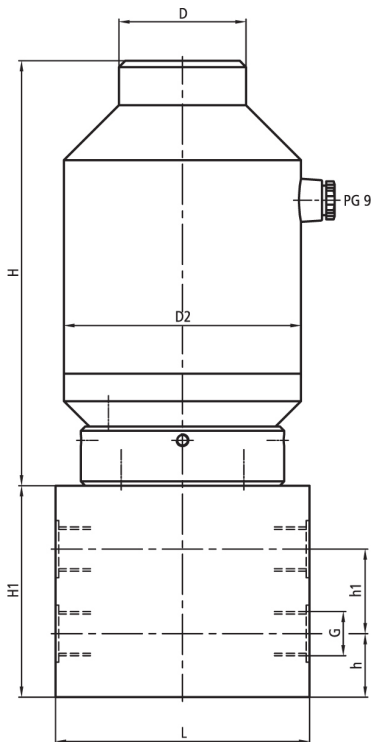
Technical data 6X. . .

Max. media temperature*	PVDF	PTFE
	120°C	150°C
Pressure stage	PN 10	PN 6
Kvs-value	DN 04	DN 10
6X701. . .	0.61 m ³ /h	3.9 m ³ /h
6X732. . .	0.58 m ³ /h	3.7 m ³ /h

* Starting from the nominal pressure rating (at 20°C), the permissible pressure reduces with increasing temperature!

2-way multiport ball valve with electrical part-turn actuator STANDARD

6



Article-Nr	Nominal Diameter	Connection	Material
6Y701F0414PTFP	DN04	G1/4"	PTFE
6Y701F0414PVFP	DN04	G1/4"	PVDF
6Y701F1012PTFP	DN10	G1/2"	PTFE
6Y701F1012PVFP	DN10	G1/2"	PVDF

Dimensions 6Y...

	G	L	L1	B	D	D2	h	h1	h2	H	H1
6Y701... 1/4"	G	Ø 80	-	-	Ø 60	Ø 92	20	25	-	181	65
6Y701... 1/2"	G	Ø 120	-	-	Ø 60	Ø 112	30	40	-	201	100
6Y732... 1/4"	G	Ø 80	-	-	Ø 60	Ø 92	20	25	-	181	65
6Y732... 1/2"	G	Ø 120	-	-	Ø 60	Ø 112	30	40	-	201	100
6Y750... 1/4"	G	Ø 80	15	Ø 22	Ø 60	Ø 92	25	47	45.5	175	90
6Y750... 1/2"	G	Ø 120	25	Ø 40,5	Ø 60	Ø 112	40	60	60	201	160
6Y770... 1/4"	G	Ø 100	25	Ø 25	Ø 60	Ø 112	25	50	49	201	109
6Y770... 1/2"	G	Ø 140	30	Ø 40,5	Ø 60	Ø 112	40	60	60	201	160

Technical data 6Y...

Max. media temperature*	PVDF	PTFE
	120°C	150°C
Pressure stage	PN 10	PN 6
Kvs-value	DN 04	DN 10
6Y701...	0.61 m ³ /h	3.9 m ³ /h
6Y732...	0.58 m ³ /h	3.7 m ³ /h
6Y750...	0.58 m ³ /h	
6Y770...	0.58 m ³ /h	3.7 m ³ /h
6Y790...	0.58 m ³ /h	./.

* Starting from the nominal pressure rating (at 20°C), the permissible pressure reduces with increasing temperature!

- 1) Common shaft ⇒ Synchronous switching of the media flow
- 2) Fixed assignment of the two media flows ⇒ Unintentional mixing not possible
- 3) Low maintenance
- 4) Low cost, as only one fitting is required
- 5) Compact shape. Advantageous in machinery engineering

The Series 6Z multiport ball valves are manual operated and comprise two multi-way ball valves that are arranged one on top of the other in a housing with 2 levels. There is no flow connection between the individual levels. With one switching process both media flows are synchronously distributed or collected using a common shaft. Unintentional mixing of the media flows is not possible. The multiport ball valve has a crucial safety advantage in practice. The materials available, PVDF and PTFE, provide high media resistance and ensure a wide range of applications. The Series 6Z multiport ball valves are also available with pneumatic or electrical part-turn actuator. One drive is sufficient for each multiport ball valve. A further important advantage: The use of multiport ball valves provides a significant cost-saving in machinery engineering, as only one fitting is needed due to the special principle of operation.



Article-Nr	Nominal Diameter	Connection	Material
6Z732F0414PTFK	DN04	G1/4"	PTFE/FFKM
6Z732F0614PVFP	DN06	G1/4"	PVDF/FPM
6Z732F1012PVFP	DN10	G1/2"	PVDF/FPM

Dimensions 6Z. . .

	G	L	L1	B	D1	h	h1	h2	H	H1
6Z701. . . , 6Z732. . . 1/4"	G	∅ 80	-	25	45	20	25	-	55	65
6Z701. 6Z732.	G	∅	-	48	60	30	40	-	78	100
6Z750. . . 1/4"	G	∅ 80	15	∅ 22	45	25	47	45.5	79.5	90
6Z750. 1/2"	G	∅	25	∅ 40,5	80	40	60	60	109	160
6Z770. . . 1/4"	G	∅	25	∅ 25	80	24	50	49	46.5	109
6Z770. 1/2"	G	∅	30	∅ 40,5	80	40	60	60	95	160

Materials 6E. . . and 6Z. . .

Housing	PVDF	PTFE
Ball	PVDF	PTFE
Sealing sleeve	PTFE	PTFE
Pressure screw**	PVDF	PTFE
O-ring*	FPM	FPM

Technical data 6Z. . .

Max. media temperature*	PVDF	PTFE
	120 °C	150 °C
Pressure stage	PN 10	PN 6
Kvs-value	DN 04	DN 10
6Z701. . .	0.61 m ³ /h	3.9 m ³ /h
6Z732. . .	0.58 m ³ /h	3.7 m ³ /h
6Z750. . .	0.58 m ³ /h	3.7 m ³ /h
6Z770. . .	0.58 m ³ /h	3.7 m ³ /h

* Starting from the nominal pressure rating (at 20 °C), the permissible pressure reduces with increasing temperature!