



35 Green Street, PO Box 653, Malden, MA 02148 • Tel: 781-321-5409 • Fax: 781-321-4421
Internet: www.asahi-america.com • Email: asahi@asahi-america.com

To: Our valued distributors
From: Asahi/America Inc., Valve Product Manager
Date: 2/1/10
Re: Introduction of Type-57LIS Metal Face to Face Butterfly Valves

Asahi/America, Inc. introduces the new standard in Thermoplastic butterfly valves, the Type-57LIS. The Type-57LIS design provides for a direct replacement of metallic butterfly valves conforming to ISO-5752 short face to face dimensions.

Design features of the Type-57LIS are identical to features in the already proven Type-57 and Type-57L existing butterfly valves. Some of the features include molded body stops on the valve body which make it impossible to over-tighten the mating flanges upon installation, a molded flow direction arrow on the valve body indicating fluid flow thru the valve, a feature most important when installing the Lug style valve in end of line applications, a full seat design liner meeting class 6 bubble tight shut-off requirements which completely encapsulates the valve body and isolates the valve body and 316 SS stem from the process media, and a spherical design disc which improves flow characteristics and increases CV values, while also extending cycle life of the valve.

The Type-57LIS butterfly valves are available in 3" to 8" both Lever style and gear-operated with our Plasgear™. Standard models supplied as wafer style for installation between 2 flanges or factory equipped with 316 SS lugs for end of line applications. The Type-57LIS features a non-wetted low profile valve stem, ISO 5211 top flange mounting pattern, a full seat liner design, and a molded padlock provision for Lever handle models. The Type-57LIS can be easily electrically or pneumatically actuated using Asahi/America, Inc. actuators.

Specification:

- Products: Type-57 LIs Butterfly Valves
- Sizes: 3" (80mm) – 8" (200mm)
- Materials: PVC body
- Models: Lever or Plasgear™
- Styles: Wafer or Lug (316 SS Inserts)
- Stems: 316 SS

Interchangeability:

- The Type-57LIS is a direct replacement for metal butterfly valves conforming to ISO 5752 Short Pattern butterfly valves face to face dimensions. The valve does not meet normal Asahi plastic butterfly valve face to face dimensions, so it is not a direct replacement for existing plastic bodied butterfly valves.

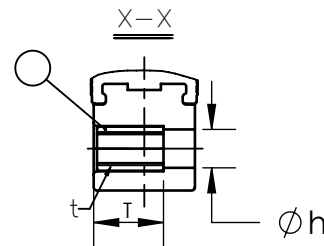
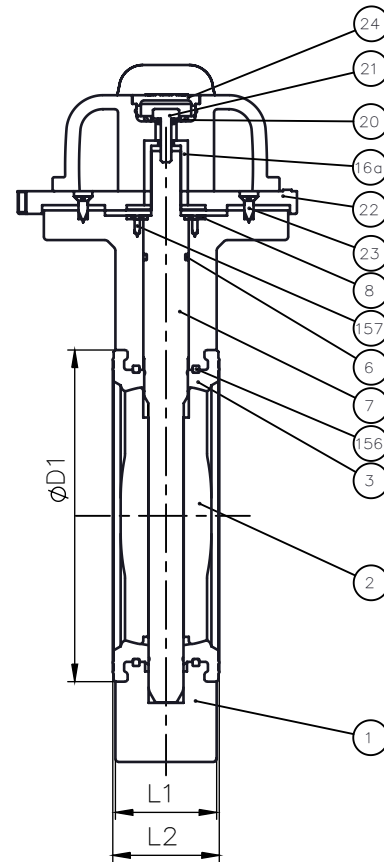
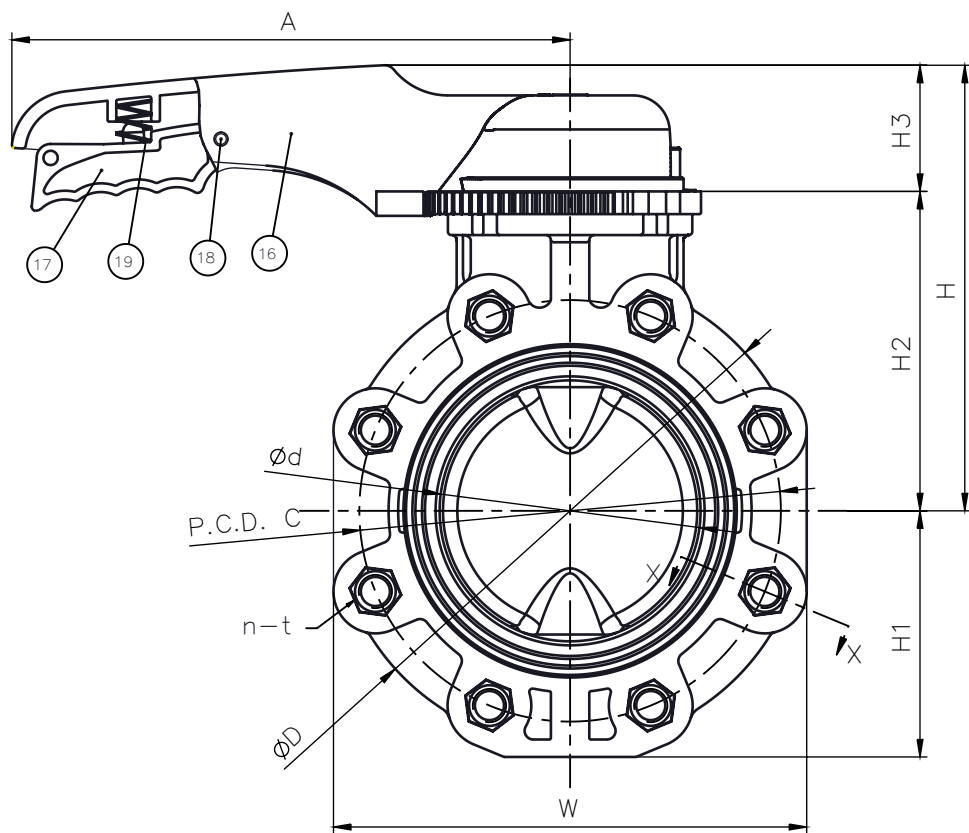
Inventory:

- Readily available as standard product

Part Numbers and Pricing:

- Part numbers and List Price sheet established





DIMENSION TABLE

UNIT:inch

NOMINAL SIZE		ANSI 150lb																
inch	mm	d	C	n	h	D	D1	L1	L2	H	H1	H2	H3	A	W	T	t	
3	80	3.03	6.00	4	0.75	7.28	4.13	1.73	1.81	7.52	3.82	5.31	2.20	9.84	7.09	1.26	5/8-11 UNC	
4	100	4.02	7.50	8	0.75	8.27	5.28	2.05	2.20	8.11	4.41	5.91	2.20	9.84	8.50	1.52	5/8-11 UNC	
6	150	5.91	9.50	8	0.87	10.63	7.48	2.20	2.40	9.92	5.55	7.20	2.72	12.60	10.67	1.57	3/4-10 UNC	
8	200	7.68	11.75	8	0.87	12.60	9.53	2.36	2.66	11.14	6.61	8.43	2.72	15.75	12.76	1.57	3/4-10 UNC	

NOTE: The shape and appearance of assembly differ a little with nominal size compared to this drawing.
Lug Insert 1e - optional

No.	DESCRIPTION	QTY.	MATERIAL	REMARKS
157	SCREW(F)	4	STAINLESS STEEL(SS304)	
156	STABILIZATION RINGS	2	STAINLESS STEEL(SCS13)	
24	CAP(A)	1	PP	
23	SCREW(B)	4	STAINLESS STEEL(SS304)	
22	LOCKING PLATE	1	PPG	
21	BOLT(B)	1	STAINLESS STEEL(SS304)	
20	WASHER (A)	1	STAINLESS STEEL(SS304)	
19	SPRING	1	STAINLESS STEEL(SS304)	
18	PIN	1	PPG	
17	HANDLE LEVER	1	PPG	
16a	HANDLE INSERTED METAL	1	STAINLESS STEEL(SS316L)	
16	HANDLE(A)	1	PP	
8	STEM RETAINER (A)	1	PP	
7	STEM	1	STAINLESS STEEL (SS403)	
6	O-RING (C)	1	<input type="checkbox"/> EPDM <input type="checkbox"/> FKM <input type="checkbox"/> NBR <input type="checkbox"/> Others()	
3	SEAT	1		
2	DISC		<input type="checkbox"/> PP <input type="checkbox"/> PVC <input type="checkbox"/> CPVC <input type="checkbox"/> PVDF	
1e	LUG-INSERT	-	<input type="checkbox"/> STAINLESS STEEL (SS316)	
1	BODY	1	PVC	

THIS DRAWING AND ALL INFORMATION HEREON IS THE PROPERTY OF ASAHI/AMERICA. ANY COPYING, REPRODUCTION OR UNAUTHORIZED USE IS FORBIDDEN WITHOUT WRITTEN CONSENT.

	NAME	DATE
DR	C. Williams	11/11/09
APPD	Dave Hurley	11/11/09
PROD	Leo Lester	11/11/09
PRODUCT: VALVE		
WO#/CO#		

ASAHI/AMERICA

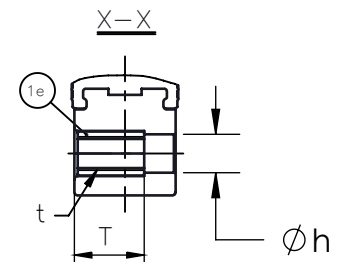
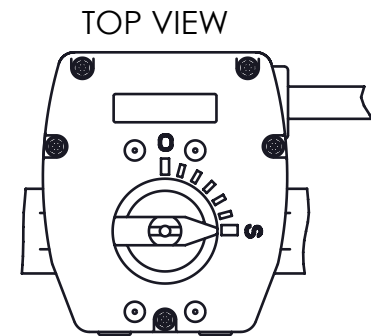
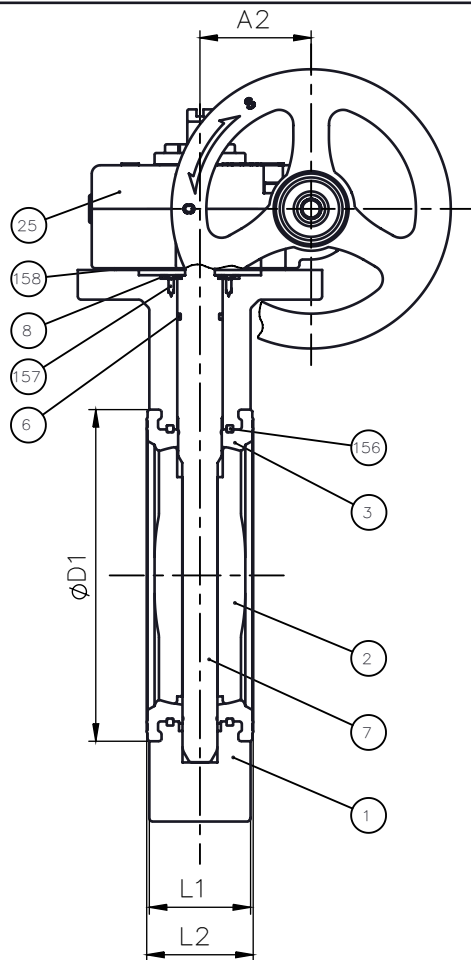
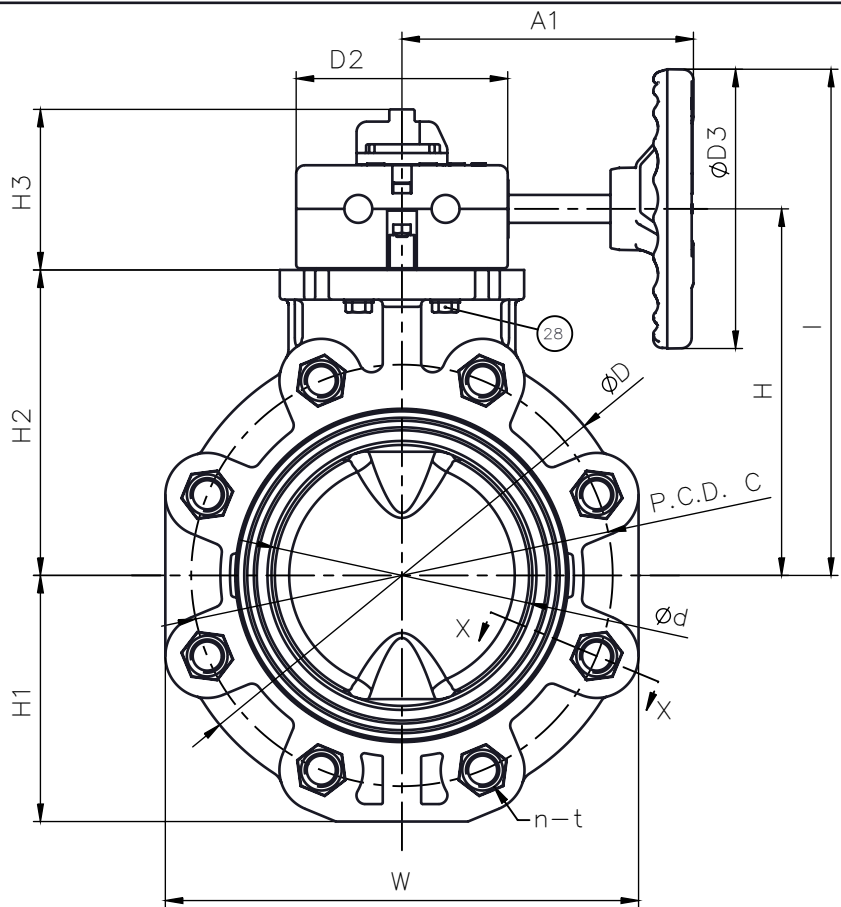
ISO 9001 CERTIFIED

35 GREEN STREET, P.O. BOX 653, MALDEN, MA.



BUTTERFLY VALVE TYPE57 LIS
LEVER TYPE (LUG STYLE) 3" - 8" ISO SHORT

SIZE A	DWG. NO. 0171BF57LIS	REV A
SCALE NTS		SHEET 1 OF 1



DIMENSION TABLE

NOMINAL SIZE		ANSI 501b																				UNIT:inch	
inch	mm	d	c	n	h	D	D1	D2	D3	L1	L2	H	H1	H2	H3	l	A1	A2	W	T	t	Number of handle wheel rotations	
3	80	3.03	6.00	4	0.75	7.28	4.13	4.80	6.30	1.73	1.81	6.50	3.82	5.12	3.62	9.65	6.57	2.52	7.09	1.26	5/8-11 UNC	9.5	
4	100	4.02	7.50	8	0.75	8.27	5.28	4.80	6.30	2.05	2.20	7.09	4.41	5.71	3.62	10.24	6.57	2.52	8.50	1.52	5/8-11 UNC		
6	150	5.91	9.50	8	0.87	10.63	7.48	4.80	6.30	2.20	2.40	8.27	5.55	6.89	3.62	11.42	6.57	2.52	10.67	1.57	3/4-10 UNC		
8	200	7.68	11.75	8	0.87	12.60	9.53	4.80	6.30	2.36	2.66	9.49	6.61	8.11	3.62	12.64	6.57	2.52	12.76	1.57	3/4-10 UNC		

NOTE. The shape and appearance of assembly differ a little with nominal size compared to this drawing.
Lug Insert 1e - optional

No.	DESCRIPTION	QTY.	MATERIAL	REMARKS
158	GASKET(L)	1	EPDM	
157	SCREW(F)	4	STAINLESS STEEL (SS304)	
156	STABILIZATION RINGS	2	STAINLESS STEEL (SS316)	
28	BOLT(C)	4	STAINLESS STEEL (SS304)	
25	GEAR BOX	1	PLASTIC etc.	
8	STEM RETAINER (A)	1	PP	
7	STEM	1	STAINLESS STEEL (SS316)	
6	O-RING (C)	1	□EPDM □FKM □NBR □Others()	
3	SEAT	1		
2	DISC	1	□PP □PVC □CPVC □PVDF	
1e	LUG-INSERT	-	□STAINLESS STEEL (SS316)	
1	BODY	1	PVC	
No.	DESCRIPTION	QTY.	MATERIAL	REMARKS

THIS DRAWING AND ALL INFORMATION HEREON IS THE PROPERTY OF ASAHII/AMERICA. ANY COPYING, REPRODUCTION OR UNAUTHORIZED USE IS FORBIDDEN WITHOUT WRITTEN CONSENT.

ASAHI/AMERICA
ISO 9001 CERTIFIED
35 GREEN STREET, P.O. BOX 653, MALDEN, MA.



BUTTERFLY VALVE TYPE57 LIS
GEAR TYPE (LUG STYLE) 3" - 8" ISO SHORT

	NAME	DATE
DR	C. Williams	11/11/09
APPD	Dave Hurley	11/11/09
PROD	Leo Lester	11/11/09
PRODUCT: VALVE		
WO#/CO#		

SIZE	A	DWG. NO.	0172BF57LIS	REV	A
SCALE	NTS		SHEET		1 OF 1