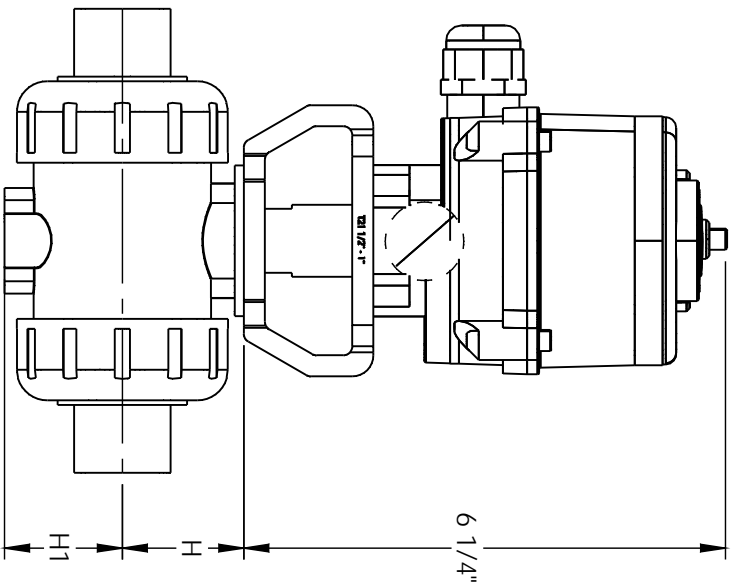
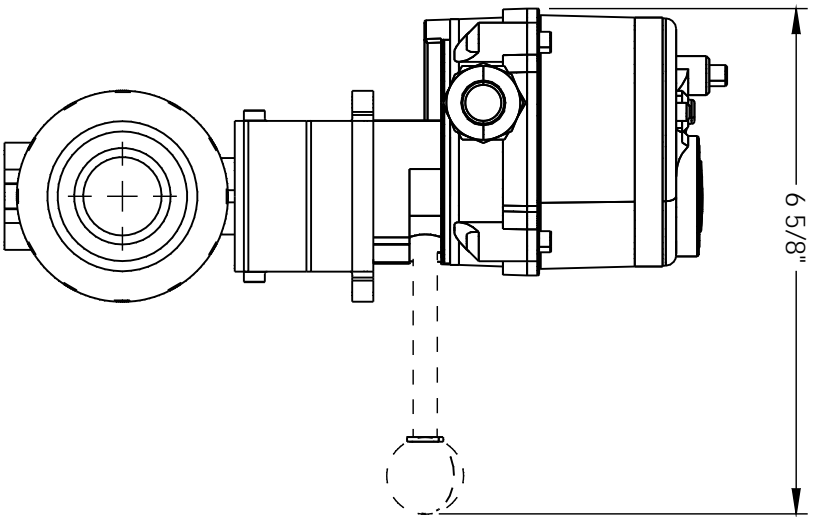


VALVE SIZE	H	H1
1/2"	2.76	1.14
3/4"	3.01	1.38
1"	3.29	1.54
1-1/4"	3.64	1.85
1-1/2"	3.98	2.17
2"	4.43	2.60

REV	DATE	DESCRIPTION	BY	FROM
A	3/28/17	FIRST ISSUE	CW	MW



UNLESS OTHERWISE SPECIFIED

DIMENSIONS ARE IN INCHES

MACHINING 2 PL. DECIMALS ± .01

TOLERANCES: 3 PL. DECIMALS ± .005

ANGULAR ± 1/2°

FRACTIONAL ± 1/64

FABRICATION 1/2" - 8" ± 1/4

TOLERANCES: 10" AND UP ± 1/2

ANGULAR ± 1.0°

WEILD TYPE: N/A

MATERIAL: N/A

FINISH: N/A

THIS DRAWING AND ALL INFORMATION HEREIN IS THE PROPERTY OF ASAH/AMERICA. ANY COPYING, REPRODUCTION OR UNAUTHORIZED USE IS FORBIDDEN WITHOUT WRITTEN CONSENT.

REV	NAME	DATE
DR	C. Williams	04/03/17
APPR	M. Willen	10/17/17

PRODUCT: VALVE & ACT

WO#/SO# N/A

ASAH/AMERICA
ISO 9001 CERTIFIED
 655 ANDOVER STREET, LAWRENCE, MA

SERIES 17 TO 1/2" - 2" T-21 BALL VALVE

JDE PART # M00BV9886

SIZE **A** DWG # **M00BV9886** REVISION **A**

SCALE N/A SHEET 1 OF 1