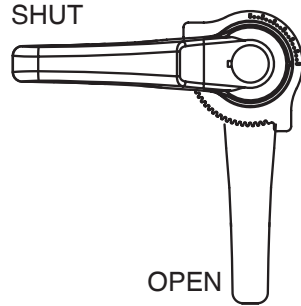


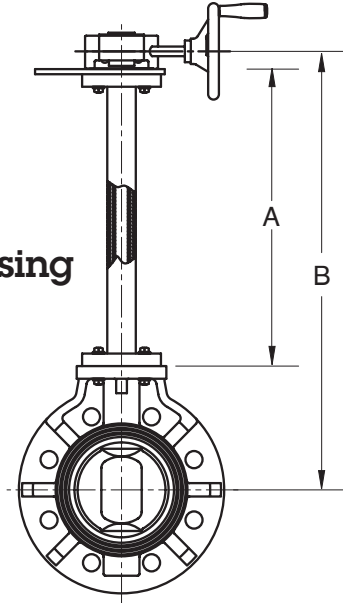
STYLE LBF-A
(TWO PIECE, STEM & HOUSING)



Two-Piece Stem and Housing

For submerged or buried applications. PVC housing protects stem extensions from aggressive environments. Epoxy coated carbon steel housing is also available, which is designed to meet landfill specifications.

Note:
Landfill style stem extensions are gear operated type only.

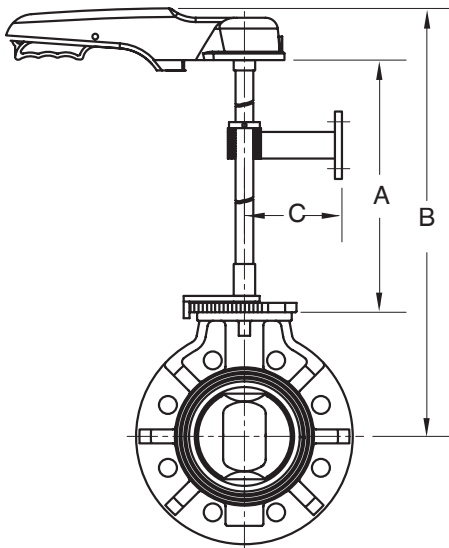


STYLE GBF-A
(TWO PIECE, STEM & HOUSING)

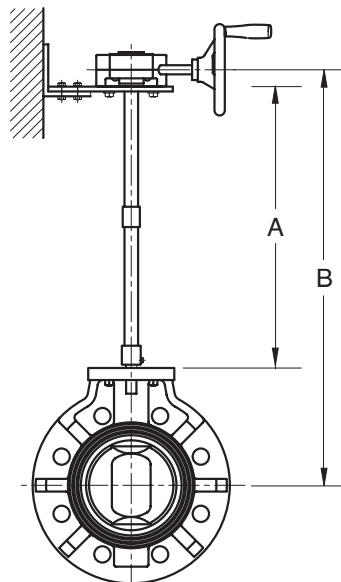
Single Stem Extensions

Valve handle can be extended away from the valve for out-of-reach locations.

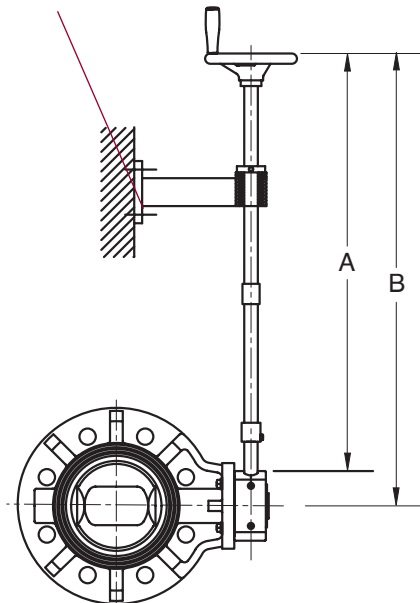
PATENTED WALL SUPPORT



STYLE LBF-B
(ONE PIECE, NON-SUPPORTED)



STYLE GBF-B
(ONE PIECE, NON-SUPPORTED)



STYLE GBF-C
(ONE PIECE, NON-SUPPORTED)

All stem extension tolerances +/- 1 inch

Please use Stem Extension Work Sheet on Page 23 when ordering any stem extension.