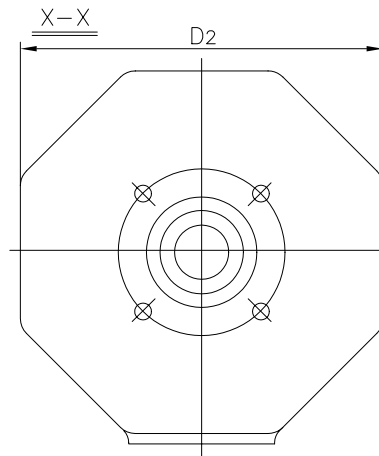


DIMENSIONS TABLE

NOMINAL SIZE	d	ANSI Class 150				D1	D2	L	t	l (LIFT)	H	H2	S	S1	S2	
		C	D	n	h											
1/2"	15mm	0.63	2.38	3.50	4	0.62	2.13x2.60	5.12	4.25	0.43	0.39	7.32	0.77	0.98	0.28	0.51
3/4"	20	0.79	2.75	3.88	4	0.62	2.13x2.60	5.12	5.88	0.51	0.39	7.40	0.69	0.98	0.28	0.51
1"	25	0.98	3.12	4.25	4	0.62	2.64x3.15	5.12	5.88	0.59	0.47	7.60	0.73	0.98	0.28	0.51
1 1/4"	32	1.26	3.50	4.62	4	0.62	2.64x3.15	5.12	6.38	0.63	0.47	7.76	0.89	0.98	0.28	0.51
1 1/2"	40	1.57	3.88	5.00	4	0.62	4.25x4.25	6.85	6.94	0.63	0.83	11.54	1.08	1.77	0.35	0.59
2"	50	2.05	4.75	6.00	4	0.75	4.84x4.84	6.85	7.94	0.79	0.98	11.89	1.42	1.77	0.35	0.59

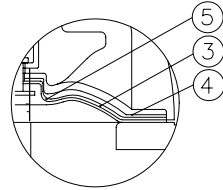
UNIT : inch



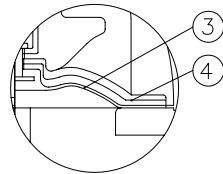
NOTE

- Operating pressure : 60PSI – 90PSI
- Double Acting ; Valve open : Port (a) Exhaust Port (b) Supply  
Valve shut : Port (a) Supply Port (b) Exhaust  
Air To Open ; Valve open : Port (b) Supply  
Valve shut : Port (b) Exhaust  
Air To Shut ; Valve open : Port (a) Exhaust  
Valve shut : Port (a) Supply
- The shape and appearance of assembly differ a little with nominal size compared to this drawing.

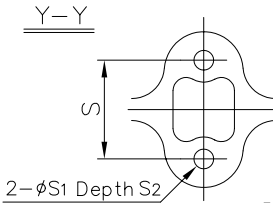
**FOR REFERENCE ONLY**  
**ASAHI/AMERICA**



In case of PVDF body and PTFE diaphragm

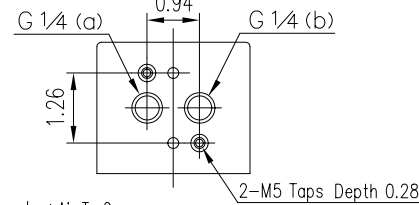


In case of PTFE diaphragm

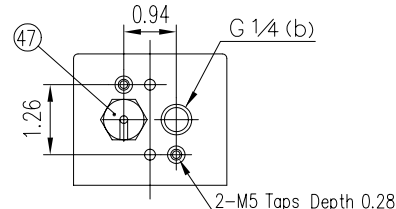


(Detail of holes for insert metal fittings.)

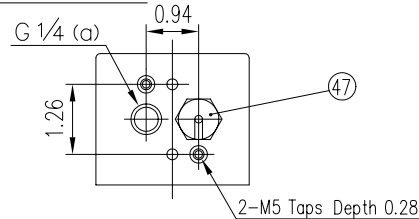
Face of air supply (Double Acting)



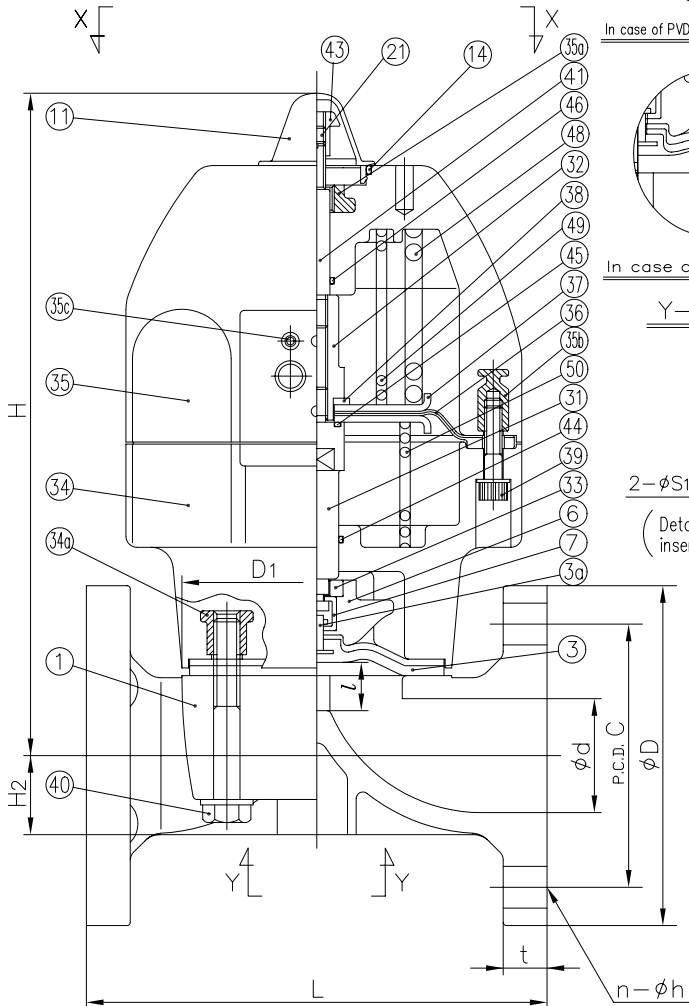
Face of air supply (Air To Open)



Face of air supply (Air To Shut)



50	SPRING (C)	1	SPRING STEEL(SW5M-B)	used for air to shut
49	SPRING (B)	1	SPRING STEEL(SW5M-B)	used for air to open
48	SPRING (A)	1	SPRING STEEL(SW5M-B)	used for air to open
47	NIPPLE	1	COPPER ALLOY(C3604)	used for air to shut and air to open
46	O-RING (F)	1	NBR	
45	O-RING (E)	1	NBR	
44	O-RING (D)	1	NBR	
43	STOPPER	1	STAINLESS STEEL 304	
41	INDICATING ROD	1	STAINLESS STEEL 304	
40	BOLT (B)	4	STAINLESS STEEL 304	
39	BOLT (A)	8	STAINLESS STEEL 304	
38	CONICAL SPRING WASHER (B)	1	STAINLESS STEEL 304	
37	CYLINDER DIAPHRAGM PLATE	2	STAINLESS STEEL 304	
36	CYLINDER DIAPHRAGM	1	NBR	
35c	SCREWED METAL OF CYLINDER BONNET	2	STAINLESS STEEL 304	
35b	INSERTED METAL OF CYLINDER BONNET (B)	8	COPPER ALLOY C3604	
35a	INSERTED METAL OF CYLINDER BONNET (A)	1	STAINLESS STEEL 304	
35	CYLINDER BONNET	1	PPG	
34a	INSERTED METAL OF CYLINDER BODY	4	COPPER ALLOY C3604	
34	CYLINDER BODY	1	PPG	
33	COMPRESSOR PUSHING PLATE	1	COPPER ALLOY C3604	
32	STEM (B)	1	COPPER ALLOY C6783	
31	STEM (A)	1	COPPER ALLOY C6783	
21	SCREW	1	STAINLESS STEEL 304	
14	O-RING (A)	1	EPDM	
11	GAUGE COVER	1	PC	
7	JOINT	1	STAINLESS STEEL 304	
6	COMPRESSOR	1	PVDF	
5	PVDF GAS BARRIER	1	PVDF	used for PVDF body
4	CUSHION	1	EPDM	used for PTFE diaphragm
3a	INSERTED METAL OF DIAPHRAGM	1	STAINLESS STEEL 304	
3	DIAPHRAGM	1	<input type="checkbox"/> EPDM <input type="checkbox"/> PTFE <input type="checkbox"/> others ( )	
1	BODY	1	<input type="checkbox"/> PVC <input type="checkbox"/> C-PVC <input type="checkbox"/> PP <input type="checkbox"/> PVDF	
No.	DESCRIPTION	No.REQ'D	MATERIAL	REMARKS



THIS DRAWING AND ALL INFORMATION HEREON IS THE PROPERTY OF ASAHI/AMERICA. ANY COPYING, REPRODUCTION OR UNAUTHORIZED USE IS FORBIDDEN WITHOUT WRITTEN CONSENT.

	NAME	DATE
DR	KENICHI MIYAZAKI	7/26/01
APPD	DAVE HURLEY	7/26/01
PROD	LEO LESTER	7/26/01
WO#/CO#		
FILE		

**ASAHI/AMERICA**

ISO 9001 CERTIFIED

35 GREEN STREET, P.O. BOX 653, MALDEN, MA.



DIAPHRAGM VALVE TYPE14  
PNEUMATIC TYPE-AN  
1/2" THRU 2"

SIZE	A	DWG. NO.	0063DI	REV	B
SCALE	NTS	SHEET 1 OF 1			