



# Ultra High Purity PVDF Piping System



# Purad®

Natural Polyvinylidene Fluoride (PVDF)

High Purity Piping System

REV:HP0512PV

**Materials:** ASTM D3222 Type II Suspension grade homopolymer. Resin shall comply with FDA Code of Federal Regulators (CFR), Title 21, Chapter 1: Section 177.2510 determining suitability for contact with foodstuff.

**Pipe Production:** Dimensions and tolerances shall exceed ISO 10931 requirement. Pipe shall be extruded in ISO Class 5 cleanroom environment.

**Fitting Production:** Dimensions and tolerances shall exceed ISO 10931 requirement. Fittings shall be molded with a central injection gate.

**Pressure Rating:** Components shall be pressure rated in accordance with ASTM D2837 and DIN 8077 for hydrostatic design basis. Components shall be manufactured to standard dimensional ratio (SDR) 21 and 33 and others upon request.

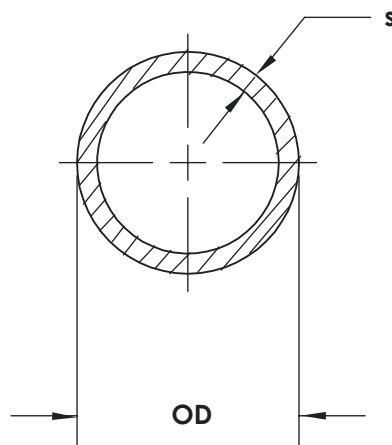
Based on continuous service life of 50 years at 68° F (20° C).

SDR21: 230psi (PN16)

SDR33: 150psi (PN10)

PN = Nominal pressure in bar.

**Joining:** Available methods shall be according to the schedule below  
DVS 2208-1 Socket: 1/2" (20mm) through 2" (63mm)  
DVS 2207-15 Contact Butt: 1/2" (20mm) through 12" (315mm)  
DVS 2207-6 Non Contact IR: 1/2" (20mm) through 12" (315mm)  
Beadless Fusion: 1/2" (20mm) through 4" (110mm)

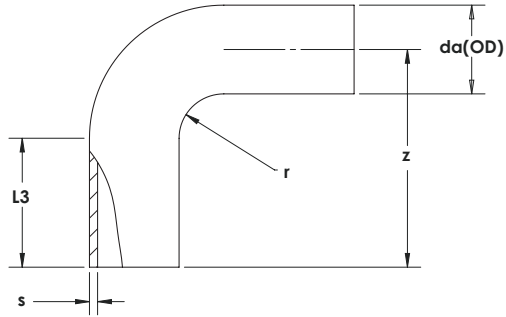


**PIPE\*** 5 meter (16.4') lengths

Size		Quantity per bag	SDR 21 / PN 16 / 230 PSI				SDR 33 / PN 10 / 150 PSI			
mm	inch		OD	s	Weight (lbs/lh)	Part Number	OD	s	Weight (lbs/lh)	Part Number
20	1/2	5	0.787	0.075	2.31	5401005	-	-	-	-
25	3/4	4	0.984	0.075	2.98	5401007	-	-	-	-
32	1	3	1.260	0.094	4.85	5401010	-	-	-	-
40	1-1/4	1	1.575	0.094	6.06	5401012	-	-	-	-
50	1-1/2	1	1.969	0.118	9.37	5401015	-	-	-	-
63	2	1	2.480	0.118	12.02	5401020	-	-	-	-
75	2-1/2	1	2.953	0.142	17.09	5401025	-	-	-	-
90	3	1	3.543	0.169	24.47	5403030	3.543	0.110	16.31	5401030
110	4	1	4.331	0.209	36.60	5403040	4.331	0.134	24.25	5401040
160	6	1	6.299	0.303	76.72	5403060	6.299	0.193	50.04	5401060
200	8	1	7.874	0.378	118.39	5403080	7.874	0.244	79.26	5401080
225	9	1	8.858	0.425	150.69	5403090	8.858	0.272	98.65	5401090
250	10	1	9.843	0.469	184.42	5403100	9.843	0.303	122.24	5401100
315	12	1	12.402	0.591	292.11	5403120	12.402	0.382	193.46	5401120

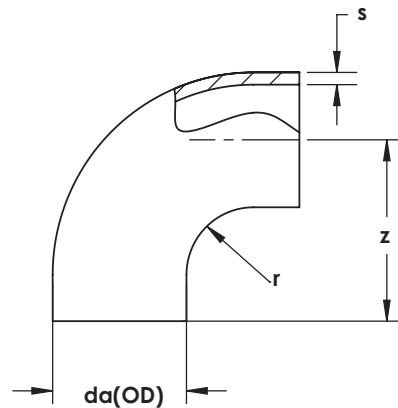
\*Sold in 5m (16.4') lengths only.  
 Diameter is metric, inch size provided as nominal only.  
 Sizes 20-32mm multi-bagged.





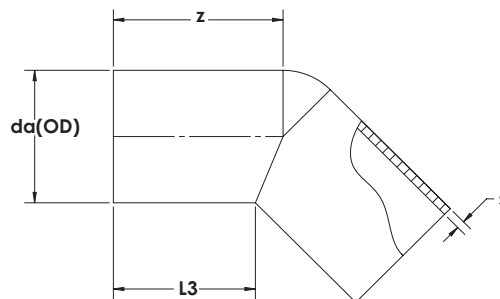
### EXTENDED LEG 90 DEGREE ELBOW

Size		Dimensions				SDR 21 / PN 16 / 230 PSI		SDR 33 / PN 10 / 150 PSI		
mm	inch	z	r	L3	s	Weight (lbs)	Part Number	s	Weight (lbs)	Part Number
20	1/2	2.008	0.787	1.299	0.075	0.04	5402005	-	-	-
25	3/4	2.205	0.984	1.299	0.075	0.07	5402007	-	-	-
32	1	2.480	1.260	1.299	0.094	0.13	5402010	-	-	-
40	1-1/4	2.835	1.575	1.417	0.094	0.18	5402012	-	-	-
50	1-1/2	3.307	1.969	1.417	0.118	0.31	5402015	-	-	-
63	2	3.819	2.480	1.378	0.118	0.46	5402020	-	-	-
75	2-1/2	3.937	2.953	1.102	0.142	0.68	5402025	-	-	-
90	3	4.843	3.543	1.339	0.169	1.19	5402030	0.110	0.88	5429030
110	4	5.591	4.331	1.339	0.209	2.16	5402040	0.134	1.57	5429040
160	6	9.290	6.300	2.874	0.303	6.26	5402060	0.193	4.37	5429060
225	9	11.850	8.860	2.874	0.425	16.0	5402090	0.272	11.2	5429090



### 90 DEGREE ELBOW

Size		Dimensions			SDR 21 / PN 16 / 230 PSI		SDR 33 / PN 10 / 150 PSI		
mm	inch	z	r	s	Weight (lbs)	Part Number	s	Weight (lbs)	Part Number
160	6	7.131	6.186	0.303	4.64	5410060	0.193	3.41	5407060
200	8	8.550	7.722	0.378	8.71	5410080	0.244	6.40	5407080
225	9	9.574	8.865	0.426	12.2	5410090	0.272	8.60	5407090
250	10	11.308	9.850	0.469	17.9	5410100	0.303	12.9	5407100
315	12	13.317	11.820	0.591	31.8	5410120	0.382	22.1	5407120

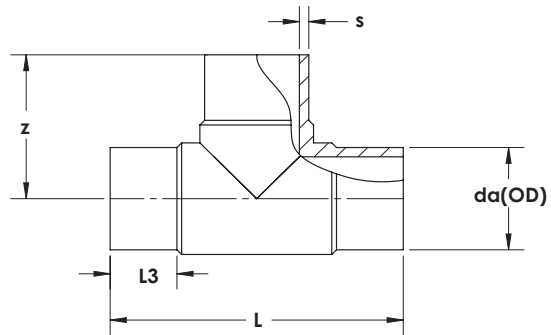


### 45 DEGREE ELBOW

Size		Dimensions			SDR 21 / PN 16 / 230 PSI		SDR 33 / PN 10 / 150 PSI		
mm	inch	z	L3	s	Weight (lbs)	Part Number	s	Weight (lbs)	Part Number
20	1/2	1.694	1.537	0.075	0.04	5414005	-	-	-
25	3/4	1.773	1.576	0.075	0.07	5414007	-	-	-
32	1	2.049	1.812	0.094	0.11	5414010	-	-	-
40	1-1/4	2.285	1.970	0.094	0.18	5414012	-	-	-
50	1-1/2	2.600	2.206	0.118	0.29	5414015	-	-	-
63	2	2.955	2.443	0.118	0.42	5414020	-	-	-
75	2-1/2	1.891	1.261	0.142	0.31	5414025	-	-	-
90	3	2.325	1.418	0.169	0.57	5416030	0.110	0.88	5414030
110	4	2.679	1.773	0.209	1.01	5416040	0.134	1.57	5414040
160	6	4.058	2.561	0.303	3.19	5416060	0.193	2.18	5414060
200	8	7.953	7.126	0.378	8.93	5416080*	0.244	6.22	5414080*
225	9	8.307	7.598	0.425	11.93	5416090*	0.272	8.05	5414090*
250	10	9.488	8.032	0.469	15.98	5416100*	0.303	11.16	5414100*
315	12	10.315	8.558	0.528	20.41	5416120*	0.339	13.89	5414120*

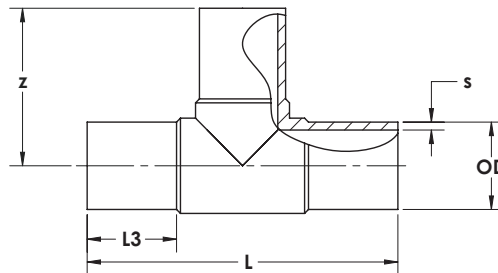
\*Items are fabricated.

\*Items are non-returnable / non-cancelable.



**TEE**

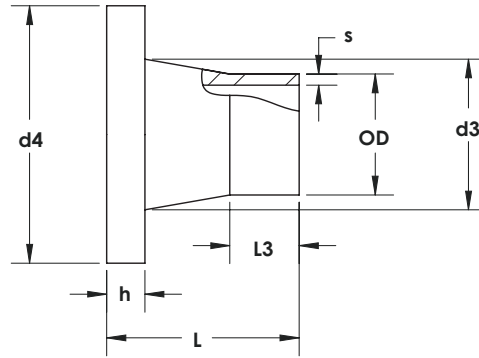
Size		Dimensions			SDR 21 / PN 16 / 230 PSI			SDR 33 / PN 10 / 150 PSI		
mm	inch	z	L	L3	s	Weight (lbs)	Part Number	s	Weight (lbs)	Part Number
20	1/2	1.378	2.756	0.591	0.075	0.07	5418005	-	-	-
25	3/4	1.575	3.150	0.591	0.075	0.09	5418007	-	-	-
32	1	1.772	3.504	0.669	0.094	0.15	5418010	-	-	-
40	1-1/4	1.969	3.937	0.630	0.094	0.20	5418012	-	-	-
50	1-1/2	2.362	4.724	0.906	0.118	0.37	5418015	-	-	-
63	2	2.953	5.866	1.102	0.118	0.59	5418020	-	-	-
75	2-1/2	3.425	6.850	1.102	0.142	0.90	5418025	-	-	-
90	3	3.622	7.126	1.299	0.169	1.39	5421030	0.110	1.08	5418030
110	4	4.331	8.780	1.299	0.209	2.65	5421040	0.134	2.07	5418040
160	6	5.512	10.984	1.772	0.303	5.82	5421060	0.193	4.43	5418060
200	8	8.780	17.559	3.504	0.378	16.2	5421080	0.244	12.3	5418080
225	9	9.843	19.606	3.898	0.425	21.0	5421090	0.272	15.4	5418090
250	10	9.843	19.685	3.150	0.469	25.1	5421100	0.303	24.2	5418100
315	12	9.724	19.528	2.244	0.591	37.7	5421120	0.382	27.2	5418120



**EXTENDED LEG TEE**

Size		Dimensions			SDR 21 / PN 16 / 230 PSI		
mm	inch	z	L	L3	s	Weight (lbs)	Part Number
20	1/2	2.165	4.291	1.417	0.075	0.11	5419005
25	3/4	2.323	4.606	1.575	0.075	0.15	5419007
32	1	2.835	5.630	1.772	0.094	0.24	5419010

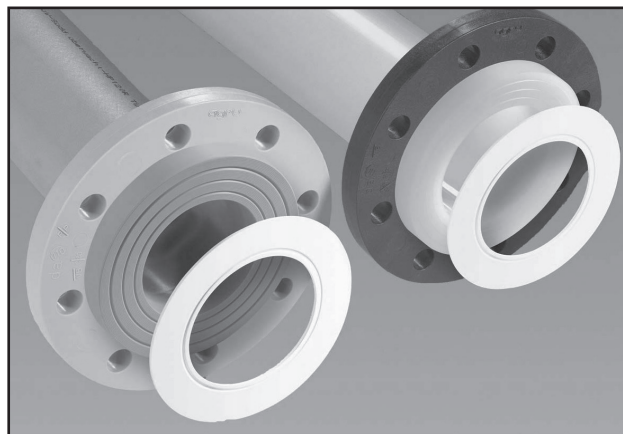
Recommended for beadless fusion



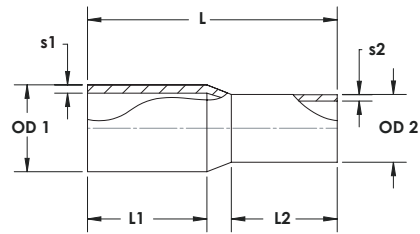
**STUB END\* (FLANGE ADAPTER)**

Size		Dimensions						SDR 21 / PN 16 / 230 PSI		SDR 33 / PN 10 / 150 PSI			
mm	inch	h	s	L	L3	d3	d4	Weight (lbs)	Part Number	h	s	Weight (lbs)	Part Number
20	1/2	0.236	0.075	1.970	1.221	1.064	1.773	0.07	5430005	-	-	-	-
25	3/4	0.256	0.075	1.969	1.181	1.299	2.283	0.11	5430007	-	-	-	-
32	1	0.276	0.094	1.969	1.024	1.575	2.677	0.15	5430010	-	-	-	-
40	1-1/4	0.315	0.094	1.969	0.866	1.969	3.071	0.22	5430012	-	-	-	-
50	1-1/2	0.354	0.118	1.969	0.866	2.402	3.307	0.29	5430015	-	-	-	-
63	2	0.394	0.118	1.969	0.709	2.953	3.898	0.40	5430020	-	-	-	-
75	2-1/2	0.433	0.142	1.969	0.709	3.504	4.685	0.55	5430025	-	-	-	-
90	3	0.433	0.169	3.150	1.299	4.134	5.079	0.86	5470030	0.433	0.110	0.84	5430030
110	4	0.472	0.209	3.150	1.496	4.921	6.063	1.21	5470040	0.472	0.134	1.26	5430040
160	6	0.630	0.303	3.150	1.339	6.890	8.346	2.54	5470060	0.630	0.193	2.07	5430060
200	8	0.945	0.378	3.937	1.417	9.134	10.433	5.29	5470080	0.709	0.244	4.28	5430080
225	9	0.945	0.425	3.937	1.811	9.252	10.433	4.65	5470090	0.709	0.272	5.91	5430090
250	10	0.984	0.469	3.937	1.378	11.220	12.598	7.83	5470100	0.787	0.303	6.83	5430100
315	12	0.984	0.591	4.016	1.614	13.189	14.570	9.83	5470120	0.787	0.382	7.65	5430120

\*Requires backing ring. See page 118.  
9" stub end uses 8" backing ring.



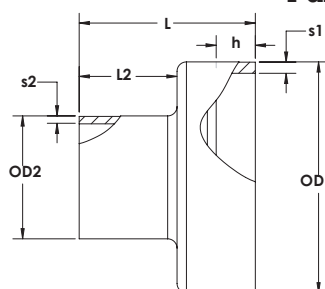
Stub end with backing ring and Seal Clean gasket



**EXTENDED LEG CONCENTRIC REDUCER**

Size		Dimensions					SDR 21 / PN 16 / 230 PSI		
mm	inch	L	L1	L2	s1	s2	Weight (lbs)	Part Number	
25/20	3/4 x 1/2	1.970	0.788	0.788	0.075	0.075	0.04	5424101	
32/20	1 x 1/2	1.970	0.729	0.749	0.095	0.075	0.04	5424130	
32/25	1 x 3/4	1.970	0.788	0.788	0.095	0.075	0.04	5424131	
40/20	1-1/4 x 1/2	2.167	0.788	0.788	0.095	0.075	0.07	5424166	
40/25	1-1/4 x 3/4	2.167	0.788	0.788	0.095	0.075	0.07	5424167	
40/32	1-1/4 x 1	2.167	0.788	0.788	0.095	0.106	0.07	5424168	
50/20	1-1/2 x 1/2	2.364	0.906	0.788	0.118	0.075	0.09	5424205	
50/25	1-1/2 x 3/4	2.364	0.946	0.788	0.118	0.075	0.09	5424210	
50/32	1-1/2 x 1	2.364	0.985	0.788	0.118	0.095	0.11	5424211	
50/40	1-1/2 x 1-1/4	2.364	0.985	0.867	0.118	0.095	0.11	5424212	
63/25	2 x 3/4	2.955	0.985	0.788	0.075	0.075	0.15	5424248	
63/32	2 x 1	2.561	0.985	0.709	0.118	0.095	0.15	5424249	
63/40	2 x 1-1/4	2.561	1.024	0.867	0.118	0.095	0.15	5424250	
63/50	2 x 1-1/2	2.561	0.985	0.946	0.118	0.118	0.15	5424251	
75/50	2-1/2 x 1-1/2	5.831	2.482	2.246	0.142	0.118	0.46	5424291	
75/63	2-1/2 x 2	5.871	2.561	2.364	0.142	0.118	0.46	5424292	
90/50	3 x 1-1/2	3.546	1.182	0.985	0.118	0.118	0.37	5424337	
90/63	3 x 2	6.304	2.758	2.325	0.169	0.118	0.64	5424338	
90/75	3 x 2-1/2	6.383	2.955	2.443	0.169	0.142	0.73	5424339	
110/63	4 x 2	4.058	1.300	1.180	0.209	0.118	0.57	5424420	
110/90	4 x 3	7.092	3.113	2.837	0.209	0.169	1.23	5424422	
160/110	6 x 4	9.062	3.743	3.507	0.303	0.209	2.86	5424532	
225/160	9 x 6	6.304	1.261	1.379	0.426	0.303	3.94	5424606	
250/160	10 x 6	7.053	1.418	1.418	0.469	0.303	5.08	5424627	
250/225	10 x 8	7.092	1.694	1.103	0.469	0.426	6.03	5424629	
Size		Dimensions					SDR 33 x SDR 21 / PN 10 / 150 PSI		
mm	inch	L	L1	L2	s1	s2	Weight (lbs)	Part Number	
90/63	3 x 2	6.304	2.758	2.325	0.110	0.118	0.51	5494338	
110/63	4 x 2	4.058	1.300	1.180	0.134	0.118	0.44	5494420	
160/110	6 x 4	9.062	3.743	3.507	0.193	0.209	2.42	5494532	
Size		Dimensions					SDR 33 / PN 10 / 150 PSI		
mm	inch	L	L1	L2	s1	s2	Weight (lbs)	Part Number	
110/90	4 x 3	7.092	3.113	2.953	0.134	0.106	1.01	5497422	
160/110	6 x 4	9.062	3.743	3.507	0.193	0.134	1.98	5497532	
225/160	9 x 6	6.304	1.261	1.379	0.272	0.193	2.66	5497606	
250/160	10 x 6	7.053	1.418	1.418	0.303	0.193	3.78	5497627	
250/225	10 x 8	7.092	1.694	1.103	0.303	0.272	4.07	5497629	
315/160	12 x 6	7.092	1.655	1.458	0.382	0.193	9.90	5497659	
315/250	12 x 10	7.092	1.655	1.458	0.382	0.303	11.0	5497630	





## MACHINED FLUSH REDUCER

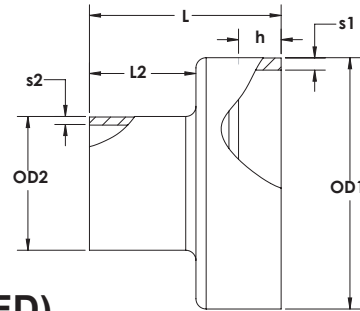
Size		Dimensions			SDR 21*		
mm	inch	L	L2	h	s1	s2	Part Number
40/20	1-1/4 x 1/2	2.250	1.250	0.500	0.094	0.075	5448166
40/25	1-1/4 x 3/4	2.250	1.250	0.500	0.094	0.075	5448167
40/32	1-1/4 x 1	2.250	1.250	0.500	0.094	0.094	5448168
50/20	1-1/2 x 1/2	2.250	1.250	0.500	0.118	0.075	5448208
50/25	1-1/2 x 3/4	2.250	1.250	0.500	0.118	0.075	5448210
50/32	1-1/2 x 1	2.250	1.250	0.500	0.118	0.094	5448211
50/40	1-1/2 x 1-1/4	2.250	1.250	0.500	0.118	0.094	5448212
63/20	2 x 1/2	2.250	1.250	0.500	0.118	0.075	5448246
63/25	2 x 3/4	2.250	1.250	0.500	0.118	0.075	5448248
63/40	2 x 1-1/4	2.250	1.250	0.500	0.118	0.094	5448250
63/50	2 x 1-1/2	2.250	1.250	0.500	0.118	0.118	5448251
75/32	2-1/2 x 1	2.250	1.250	0.500	0.142	0.094	5448289
75/40	2-1/2 x 1-1/4	2.250	1.250	0.500	0.142	0.094	5448290
75/50	2-1/2 x 1-1/2	2.250	1.250	0.500	0.142	0.118	5448291
75/63	2-1/2 x 2	2.250	1.250	0.500	0.142	0.118	5448292
90/20	3 x 1/2	2.250	1.250	0.500	0.169	0.075	5448332
90/25	3 x 3/4	2.250	1.250	0.500	0.169	0.075	5448333
90/32	3 x 1	2.250	1.250	0.500	0.169	0.094	5448336
90/40	3 x 1-1/4	2.250	1.250	0.500	0.169	0.094	5448335
90/50	3 x 1-1/2	2.250	1.250	0.500	0.169	0.118	5448337
110/20	4 x 1/2	2.250	1.250	0.500	0.209	0.075	5448399
110/25	4 x 3/4	2.250	1.250	0.500	0.209	0.075	5448404
110/32	4 x 1	2.250	1.250	0.500	0.209	0.094	5448401
110/40	4 x 1-1/4	2.250	1.250	0.500	0.209	0.094	5448412
110/50	4 x 1-1/2	2.250	1.250	0.500	0.209	0.118	5448415

Machined items are non-returnable / non-cancelable.

\*Consult Asahi/America for pressure rating.

Note: Larger sizes available.

Custom sizes are also available.



## MACHINED FLUSH REDUCER (CONTINUED)

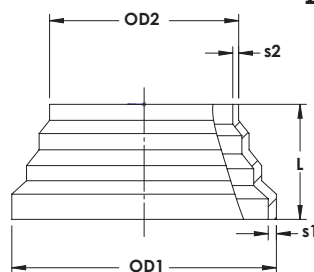
Size		Dimensions			SDR 33 x SDR 21 *		
mm	inch	L	L2	h	s1	s2	Part Number
90/20	3 x 1/2	2.250	1.250	0.500	0.110	0.075	5436332
90/25	3 x 3/4	2.250	1.250	0.500	0.110	0.075	5436333
90/32	3 x 1	2.250	1.250	0.500	0.110	0.094	5436336
90/40	3 x 1-1/4	2.250	1.250	0.500	0.110	0.094	5436335
90/50	3 x 1-1/2	2.250	1.250	0.500	0.110	0.118	5436337
110/20	4 x 1/2	2.250	1.250	0.500	0.135	0.075	5436399
110/25	4 x 3/4	2.250	1.250	0.500	0.135	0.075	5436404
110/32	4 x 1	2.250	1.250	0.500	0.135	0.094	5436401
110/40	4 x 1-1/4	2.250	1.250	0.500	0.135	0.094	5436412
110/50	4 x 1-1/2	2.250	1.250	0.500	0.135	0.118	5436415
160/32	6 x 1	2.250	1.250	0.500	0.193	0.094	5436516
200/63	8 x 2	2.250	1.250	0.500	0.244	0.118	5436581
200/90	8 x 3	2.250	1.250	0.500	0.244	0.169	5436582
200/110	8 x 4	2.250	1.250	0.500	0.244	0.209	5436583
200/160	8 x 6	2.250	1.250	0.500	0.244	0.303	5436585
OD		Dimensions			SDR 33 *		
mm	inch	L	L2	h	s1	s2	Part Number
200/90	8 x 3	2.250	1.250	0.500	0.244	0.110	5438582
200/110	8 x 4	2.250	1.250	0.500	0.244	0.135	5438583
200/160	8 x 6	2.250	1.250	0.500	0.244	0.193	5438585

Machined items are non-returnable / non-cancelable.

\*Consult Asahi/America for pressure rating.

Note: Larger sizes available.

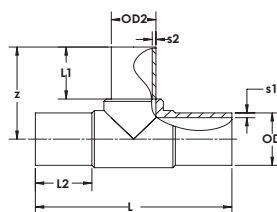
Custom sizes are also available.



### STEPPED CONCENTRIC REDUCER

Size		Dimensions			SDR 21 / PN 16 / 230 PSI		SDR 33 / PN 10 / 150 PSI	
mm	inch	L	s1	s2	Weight (lbs)	Part Number	Weight (lbs)	Part Number
63/16	2 x 3/8	2.205	0.108	0.075	0.38	5437247	-	-
110/63	4 x 2	2.559	0.209	0.118	0.42	5437420	-	-
160/110	6 x 4	3.346	0.193	0.134	-	-	0.38	5437532
225/160	9 x 6	3.819	0.272	0.193	-	-	0.78	5437585
315/225	12 x 9	5.394	0.382	0.272	-	-	1.97	5437670

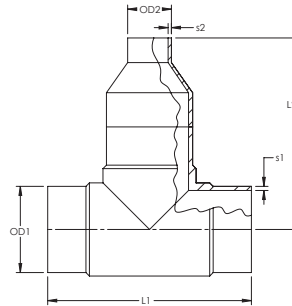
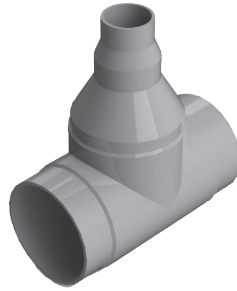
Stepped concentric reducer contains all sizes within the range.  
Spigot ends are short allowing for one tight weld.  
Can not be use with beadless welds.



### REDUCING TEE

Size		Dimensions						SDR 21 / PN 16 / 230 PSI	
mm	inch	z	L	L1	L2	s1	s2	Weight (lbs)	Part Number
63/20	2 x 1/2	2.953	5.906	1.142	1.102	0.118	0.075	0.454	5422246
63/25	2 x 3/4	2.953	5.906	1.142	1.102	0.118	0.075	0.454	5422248
63/32	2 x 1	2.913	5.866	1.102	1.063	0.118	0.094	0.51	5422249
63/50	2 x 1-1/2	2.776	5.000	1.220	1.220	0.118	0.118	0.42	5422251
90/63	3 x 2	5.079	10.354	2.953	2.559	0.169	0.118	1.81	5422338
110/63	4 x 2	5.906	12.283	3.346	2.559	0.209	0.118	2.87	5422420
110/90	4 x 3	5.906	12.323	3.425	2.953	0.209	0.169	3.22	5422422
160/63	6 x 2	6.890	13.228	3.937	2.559	0.303	0.118	6.42	5422530
160/90	6 x 3	7.205	13.701	3.819	2.756	0.303	0.169	7.41	5422531
160/110	6 x 4	7.283	13.583	3.780	3.189	0.303	0.209	7.98	5422532
225/110	9 x 4	6.693	13.780	1.417	2.638	0.425	0.209	12.69	5422607
Size		Dimensions						SDR 33 X SDR 21 / PN 10 / 150 PSI	
mm	inch	z	L	L1	L2	s1	s2	Weight (lbs)	Part Number
90/63	3 x 2	5.079	10.354	2.953	2.559	0.110	0.118	1.39	5420338
110/63	4 x 2	5.906	12.402	3.346	2.559	0.134	0.118	2.03	5420420
160/63	6 x 2	6.890	13.583	3.937	2.559	0.193	0.118	4.70	5420530
160/90	6 x 3	7.205	13.701	3.819	2.756	0.193	0.169	5.67	5420531
160/110	6 x 4	7.283	13.661	3.780	3.189	0.193	0.209	6.50	5420532
225/90	9 x 3	6.890	13.780	1.319	2.559	0.272	0.169	9.66	5420604
225/110	9 x 4	6.693	13.780	1.417	2.638	0.272	0.209	9.30	5420607
Size		Dimensions						SDR 33 / PN 10 / 150 PSI	
mm	inch	z	L	L1	L2	s1	s2	Weight (lbs)	Part Number
110/90	4 x 3	5.906	12.323	3.425	2.953	0.134	0.110	2.36	5431422
160/90	6 x 3	7.205	13.701	3.780	2.756	0.193	0.110	4.37	5431531
160/110	6 x 4	7.283	13.740	3.819	3.150	0.193	0.134	6.22	5431532
225/160	9 x 6	6.693	13.780	1.772	2.559	0.272	0.193	9.981	5431606

Tee run must be trimmed to fit in SP 110-S welding equipment when welding branch.



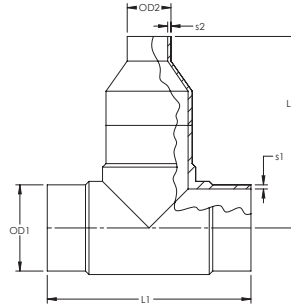
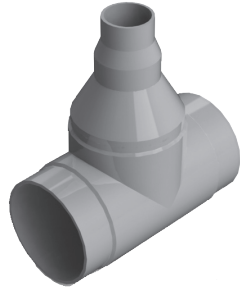
## FABRICATED REDUCING TEE

Size		Dimensions		SDR 21 / PN 16 / 230 PSI		Part Number
mm	inch	L1	L2*	s1	s2	
25 x 20	3/4 x 1/2	3.15	3.15	0.094	0.075	5422101
32 x 20	1 x 1/2	3.50	3.15	0.094	0.075	5422130
32 x 25	1 x 3/4	3.50	3.50	0.094	0.094	5422131
40 x 20	1-1/4 x 1/2	4.49	4.15	0.118	0.075	5422166
40 x 25	1-1/4 x 3/4	4.49	4.15	0.118	0.075	5422167
40 x 32	1-1/4 x 1	4.49	3.75	0.118	0.094	5422168
50 x 20	1-1/2 x 1/2	4.72	3.75	0.118	0.094	5422208
50 x 25	1-1/2 x 3/4	4.72	3.75	0.118	0.075	5422210
50 x 32	1-1/2 x 1	4.72	3.75	0.118	0.075	5422211
50 x 40	1-1/2 x 1-1/4	4.72	3.9	0.118	0.094	5422212
63 x 25	2 x 3/4	-	-	-	-	<i>Molded Available!</i>
63 x 32	2 x 1	-	-	-	-	<i>Molded Available!</i>
63 x 40	2 x 1-1/4	5.86	4.30	0.142	0.094	5422250
63 x 50	2 x 1-1/2	-	-	-	-	<i>Molded Available!</i>
75 x 50	2-1/2 x 1-1/2	6.85	6.60	0.142	0.118	5422291
75 x 63	2-1/2 x 2	6.85	6.60	0.169	0.075	5422292
90 x 50	3 x 1-1/2	7.13	6.68	0.169	0.075	5422332
90 x 63	3 x 2	-	-	-	-	<i>Molded Available!</i>
90 x 75	3 x 2-1/2	7.13	7.19	0.169	0.094	5422339
110 x 63	4 x 2	-	-	-	-	<i>Molded Available!</i>
110 x 90	4 x 3	-	-	-	-	<i>Molded Available!</i>
160 x 110	6 x 4	-	-	-	-	<i>Molded Available!</i>
225 x 160	9 x 6	19.61	16.00	0.264	0.094	5422606
250 x 160	10 x 6	19.69	16.80	0.264	0.094	5422627
250 x 225	10 x 9	19.69	16.76	0.134	0.118	5422629
315 x 160	12 x 6	21.85	16.80	0.591	0.303	-
315 x 250	12 x 10	21.85	17.79	0.591	0.469	-

Fabricated from molded tee and molded reducer, non-returnable / non cancelable.

Multiple configurations available, consult factory for pricing.

\*Fabricated dimension tolerance +/- 1/4".



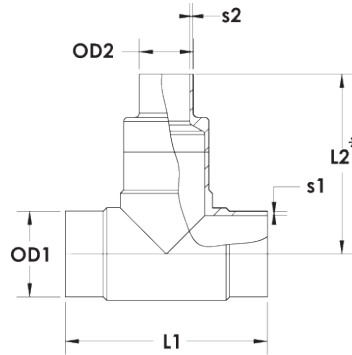
**FABRICATED REDUCING TEE**

Size		Dimensions		SDR 33 / PN 10 / 150 PSI		
mm	inch	L1	L2*	s1	s2	Part Number
110 x 90	4 x 3	-	-	-	-	<i>Molded Available!</i>
160 x 110	6 x 4	-	-	-	-	<i>Molded Available!</i>
225 x 160	9 x 6	-	-	-	-	<i>Molded Available!</i>
250 x 160	10 x 6	3.937	3.339	0.094	0.075	5431627
250 x 225	10 x 9	3.937	3.339	0.094	0.094	5431629
315 x 160	12 x 6	4.724	3.456	0.118	0.075	5431659
315 x 250	12 x 10	4.724	3.456	0.118	0.075	5431630

Fabricated from molded tee and molded reducer, non-returnable / non cancelable.

Multiple configurations available, consult factory for pricing.

\*Fabricated dimension tolerance +/- 1/4".



## FABRICATED FLUSH REDUCING TEE

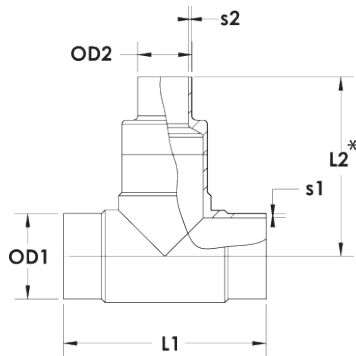
Size		Dimensions		SDR 21 *		
mm	inch	L1	L2*	s1	s2	Part Number
40/20	1-1/4 x 1/2	3.937	4.00	0.094	0.075	5435166
40/25	1-1/4 x 3/4	3.937	4.00	0.094	0.075	5435167
40/32	1-1/4 x 1	3.937	4.00	0.094	0.094	5435168
50/20	1-1/2 x 1/2	4.724	4.25	0.118	0.075	5435208
50/25	1-1/2 x 3/4	4.724	4.25	0.118	0.075	5435210
50/32	1-1/2 x 1	4.724	4.25	0.118	0.094	5435211
50/40	1-1/2 x 1-1/4	4.724	4.25	0.118	0.094	5435212
63/20	2 x 1/2	5.866	5.00	0.118	0.075	5435246
63/25	2 x 3/4	5.866	5.00	0.118	0.075	5435248
63/40	2 x 1-1/4	5.866	5.00	0.118	0.094	5435250
63/50	2 x 1-1/2	5.866	5.00	0.118	0.118	5435251
75/32	2-1/2 x 1	6.850	5.50	0.142	0.094	5435289
75/40	2-1/2 x 1-1/4	6.850	5.50	0.142	0.094	5435290
75/50	2-1/2 x 1-1/2	6.850	5.50	0.142	0.118	5435291
75/63	2-1/2 x 2	6.850	5.50	0.142	0.118	5435292
90/20	3 x 1/2	7.126	5.50	0.169	0.075	5435332
90/25	3 x 3/4	7.126	5.50	0.169	0.075	5435333
90/32	3 x 1	7.126	5.50	0.169	0.094	5435336
90/40	3 x 1-1/4	7.126	5.50	0.169	0.094	5435335
90/50	3 x 1-1/2	7.126	6.25	0.169	0.118	5435337
110/20	4 x 1/2	8.780	6.25	0.134	0.075	5435399
110/25	4 x 3/4	8.780	6.25	0.264	0.075	5435404
110/32	4 x 1	8.780	6.25	0.264	0.094	5435401
110/40	4 x 1-1/4	8.780	6.25	0.264	0.094	5435412
110/50	4 x 1-1/2	8.780	6.25	0.134	0.118	5435415

Fabricated from molded tee and molded reducer, non-returnable / non cancelable.

Multiple configurations available, consult factory for pricing.

\*Fabricated dimension tolerance +/- 1/4".

\*Consult Asahi/America for pressure rating.



### FABRICATED FLUSH REDUCING TEE

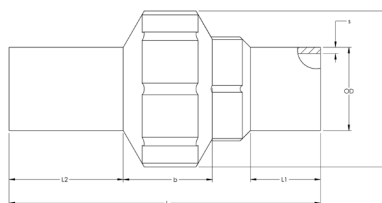
Size		Dimensions				SDR 33 x SDR 21 *	SDR 33 *		
mm	inch	L1	L2*	s1	s2	Part Number	s1	s2	Part Number
90/20	3 x 1/2	7.126	5.50	0.110	0.075	5425332	-	-	-
90/25	3 x 3/4	7.126	5.50	0.110	0.075	5425333	-	-	-
90/32	3 x 1	7.126	5.50	0.110	0.094	5425336	-	-	-
90/40	3 x 1-1/4	7.126	5.50	0.110	0.094	5425335	-	-	-
90/50	3 x 1-1/2	7.126	5.50	0.110	0.118	5425337	-	-	-
110/20	4 x 1/2	8.780	6.25	0.135	0.075	5425399	-	-	-
110/25	4 x 3/4	8.780	6.25	0.135	0.075	5425404	-	-	-
110/32	4 x 1	8.780	6.25	0.135	0.094	5425401	-	-	-
110/40	4 x 1-1/4	8.780	6.25	0.135	0.094	5425412	-	-	-
110/50	4 x 1-1/2	8.780	6.25	0.135	0.118	5425415	-	-	-
160/32	6 x 1	10.864	7.50	0.195	0.094	5425516	-	-	-
200/63	8 x 2	17.569	10.75	0.244	0.118	5425581	-	-	-
200/90	8 x 3	17.569	10.75	0.244	0.169	5425582	0.244	0.110	5432582
200/110	8 x 4	17.569	10.75	0.244	0.264	5425583	0.244	0.135	5432583
200/160	8 x 6	17.569	10.75	0.244	0.303	5425585	0.244	0.195	5432585

Fabricated from molded tee and molded reducer, non-returnable / non-cancelable.

Multiple configurations available, consult factory for pricing.

\*Fabricated dimension tolerance +/- 1/4".

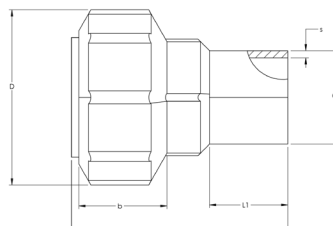
\*Consult Asahi/America for pressure rating.



### UNION

Size		Dimensions						SDR 21 / PN 16 / 230 PSI		
mm	inch	s	L	L1	L2	d	b	FKM O-Rings		PTFE O-Rings*
								Weight (lbs)	Part Number	Part Number
20	1/2	0.075	4.173	1.063	1.496	1.693	0.906	0.20	5434005	5405005
25	3/4	0.075	4.409	1.063	1.575	2.087	0.984	0.29	5434007	5405007
32	1	0.094	4.724	1.063	1.732	2.362	1.063	0.40	5434010	5405010
40	1-1/4	0.094	4.882	1.063	1.850	2.953	1.181	0.62	5434012	5405012
50	1-1/2	0.118	5.197	1.063	1.850	3.228	1.378	0.82	5434015	5405015
63	2	0.118	5.394	1.063	1.850	3.937	1.476	1.26	5434020	5405020
75	2-1/2	0.142	5.197	1.102	1.457	5.118	1.575	1.85	5434025	5405025
90	3	0.169	5.118	1.339	2.165	5.118	1.575	1.68	5434030	5405030

\*PTFE O-ring unions are fabricated items, non-returnable / non-cancelable.

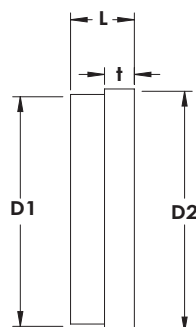


### PVDF UNION HALF WITH BLANK

Size		Dimensions					SDR 21 / PN 16 / 230 PSI
mm	inch	s	L	L1	d	b	Part Number
20	1/2	0.075	2.559	1.063	1.693	0.906	5495005
25	3/4	0.075	2.697	1.063	2.087	0.984	5495007
32	1	0.094	2.953	1.063	2.362	1.063	5495010
40	1-1/4	0.094	2.953	1.063	2.953	1.181	5495012
50	1-1/2	0.118	3.228	1.063	3.228	1.378	5495015
63	2	0.118	3.327	1.063	3.937	1.476	5495020

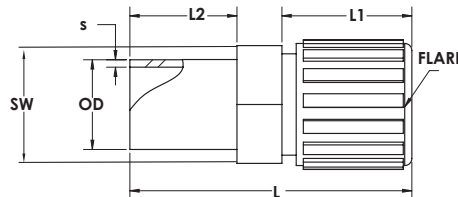
Union blanks are a machined item, non-returnable / non-cancelable.





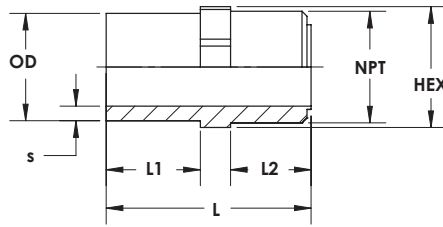
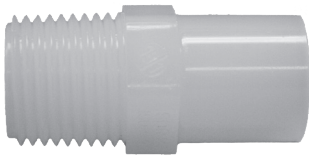
### PVDF UNION BLANK\* (Green)

Size		Dimensions				SDR 21 / PN 16 / 230 PSI
mm	inch	D1	D2	L	t	Part Number
20	1/2	1.060	1.170	0.440	0.190	5423005
25	3/4	1.420	1.500	0.425	0.175	5423007
32	1	1.615	1.755	0.560	0.188	5423010
40	1-1/4	2.060	2.200	0.490	0.240	5423012
50	1-1/2	2.300	2.460	0.650	0.280	5423015
63	2	2.90	3.070	0.860	0.300	5423020



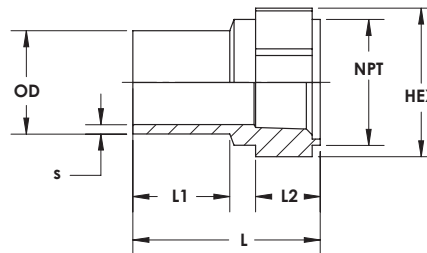
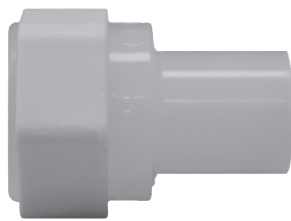
### FLARE ADAPTER

Size		Dimensions						SDR 21 / PN 16 / 230 PSI
mm	inch	Flare	s	L	L1	L2	SW	Part Number
20	1/2	1/4	0.075	3.190	1.142	1.500	0.945	5406096
20	1/2	3/8	0.075	3.310	1.260	1.500	0.945	5406098
20	1/2	1/2	0.075	3.400	1.260	1.500	1.063	5406005
25	3/4	1/4	0.075	3.400	1.260	1.500	1.063	5406103
25	3/4	3/8	0.075	3.360	1.260	1.500	1.181	5406106
25	3/4	1/2	0.075	3.400	1.300	1.500	1.181	5406101
25	3/4	3/4	0.075	3.560	1.456	1.500	1.181	5406007
25	3/4	1	0.094	3.390	1.260	1.500	1.614	5406132
32	1	3/8	0.094	3.390	1.260	1.500	1.614	5406105
32	1	1/2	0.094	3.430	1.260	1.500	1.614	5406130
32	1	3/4	0.094	3.590	1.456	1.500	1.614	5406131
32	1	1	0.094	3.860	1.732	1.500	1.614	5406010
40	1-1/4	1/2	0.094	3.428	1.260	1.500	1.614	5406166



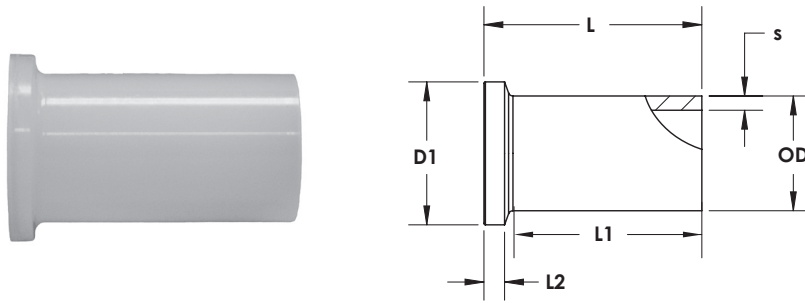
### MALE ADAPTER

Size		Dimensions						SDR 21 / PN 16 / 230 PSI	
mm	inch	s	L	L1	L2	HEX	NPT	Weight (lbs)	Part Number
20	1/2	0.075	1.811	0.787	0.709	0.866	1/2	0.04	5447005
25	3/4	0.075	2.008	0.906	0.787	1.063	3/4	0.04	5447007
32	1	0.094	2.402	1.142	0.906	1.417	1	0.09	5447010
40	1-1/4	0.094	2.598	1.142	1.063	1.811	1-1/4	0.15	5447012
50	1-1/2	0.118	2.913	1.299	1.142	2.165	1-1/2	0.22	5447015
63	2	0.118	3.150	1.378	1.220	2.559	2	0.33	5447020



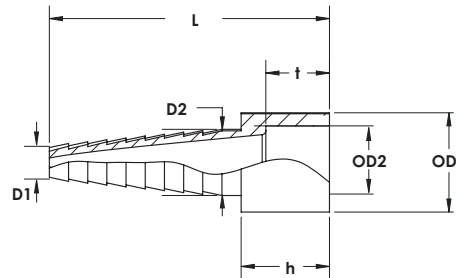
### FEMALE ADAPTER

Size		Dimensions						SDR 21 / PN 16 / 230 PSI	
mm	inch	s	L	L1	L2	HEX	NPT	Weight (lbs)	Part Number
20	1/2	0.075	1.811	0.787	0.630	1.260	1/2	0.07	5449005
25	3/4	0.075	2.008	0.906	0.709	1.614	3/4	0.12	5449007
32	1	0.094	2.283	1.142	0.787	1.811	1	0.16	5449010
40	1-1/4	0.094	2.441	1.181	0.945	2.165	1-1/4	0.20	5449012
50	1-1/2	0.118	2.677	1.339	0.945	2.756	1-1/2	0.37	5449015
63	2	0.118	2.953	1.378	1.102	3.346	2	0.59	5449020



**SANITARY ADAPTER**

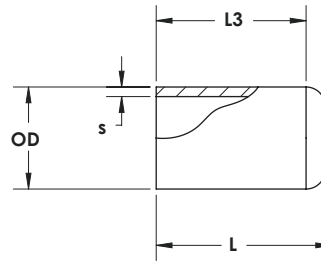
Size			Dimensions					SDR 21 / MOP 120 PSI	
mm	inch	Sanitary	s	L	L1	L2	D1	Part Number	
20	1/2	3/4"	0.098	1.500	1.30	0.142	0.984	5445101	
25	3/4	1"	0.106	1.500	1.16	0.110	1.984	5445131	
32	1	1-1/2"	0.114	1.500	0.75	0.110	1.984	5445168	
40	1-1/4	1-1/2"	0.146	1.500	1.25	0.110	1.984	5445212	
50	1-1/2	2"	0.181	1.500	1.25	0.110	2.490	5445251	
63	2	2-1/2"	0.228	1.500	1.25	0.110	2.990	5445292	



**HOSE BARB\***

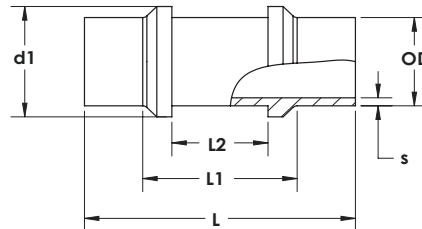
Size			Dimensions					SDR 21 / PN 10 / 150 PSI	
Outlet	OD1	OD2	L	h	t	D1	D2	Part Number	
1/4"	25 mm	20 mm	2.778	0.875	0.656	1/4	1/2	840704010	

This fitting is designed to be socket welded to 20mm (1/2") or butt welded to 25mm (3/4").  
 \*Hose barb is 1/4" - 1/2".



**END CAP**

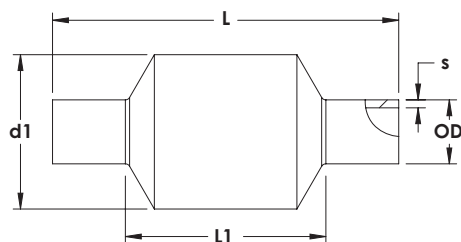
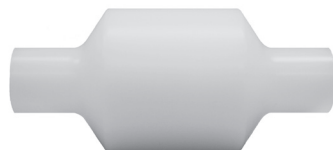
Size		Dimensions			SDR 21 / PN 16 / 230 PSI			SDR 33 / PN 10 / 150 PSI		
mm	inch	L	L3	s	Weight (lbs)	Part Number	s	Weight (lbs)	Part Number	
20	1/2	1.773	1.615	0.075	0.022	5443005	-	-	-	
25	3/4	1.931	1.615	0.075	0.044	5443007	-	-	-	
32	1	2.206	1.773	0.094	0.066	5443010	-	-	-	
40	1-1/4	2.522	1.970	0.094	0.088	5443012	-	-	-	
50	1-1/2	2.876	2.364	0.118	0.176	5443015	-	-	-	
63	2	3.388	2.679	0.118	0.264	5443020	-	-	-	
75	2-1/2	3.664	2.955	0.142	0.396	5443025	-	-	-	
90	3	4.334	3.310	0.169	0.660	5444030	0.110	0.46	5443030	
110	4	4.925	3.901	0.209	1.056	5444040	0.134	0.64	5443040	



**RESTRAINT FITTING**

Size		Dimensions				SDR 21 / PN 16 / 230 PSI			SDR 33 / PN 10 / 150 PSI		
mm	inch	L	L1	L2	d1	s	Weight (lbs)	Part Number	s	Weight (lbs)	Part Number
20	1/2	3.700	2.090	1.280	1.100	0.075	0.684	5461005*	-	-	-
25	3/4	3.700	2.090	1.280	1.300	0.075	0.573	5461007*	-	-	-
32	1	4.724	2.088	1.280	2.126	0.094	0.132	5461010	-	-	-
40	1-1/4	3.700	2.090	1.280	1.890	0.094	0.882	5461012*	-	-	-
50	1-1/2	4.500	2.090	1.280	2.280	0.118	0.904	5461015*	-	-	-
63	2	4.724	1.970	1.280	3.307	0.118	0.440	5461020	-	-	-
75	2-1/2	5.110	2.760	1.575	3.430	0.142	1.433	5461025*	-	-	-
90	3	5.866	2.758	1.575	4.134	0.169	0.968	5461030	0.110	0.75	5471030
110	4	5.906	2.758	1.575	5.000	0.209	1.452	5461040	0.134	1.14	5471040
160	6	6.220	3.940	2.362	7.008	0.303	3.102	5461060	0.193	2.29	5471060

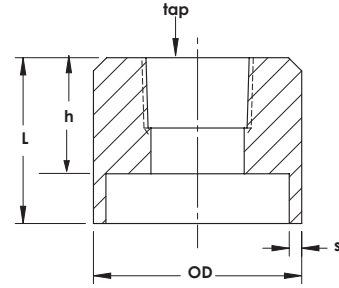
Restraint fittings are a machined item, non-returnable / non-cancelable.



## INSTRUMENTATION FITTING

Size		Description	Dimensions			SDR 21 / PN 16 / 230 PSI			SDR 33 / PN 10 / 150 PSI		
mm	inch		L	L1	d1	s	Weight (lbs)	Part Number	s	Weight (lbs)	Part Number
20	1/2	Solid	4.724	1.969	1.969	0.075	0.684	5499005	-	-	-
20	1/2	1/4" Tap	4.724	1.969	1.969	0.075	0.684	5499096	-	-	-
25	3/4	Solid	4.724	1.969	2.165	0.075	0.573	5499007	-	-	-
25	3/4	1/4" Tap	4.724	1.969	2.165	0.075	0.573	5499103	-	-	-
32	1	Solid	4.724	1.969	2.362	0.094	0.595	5499010	-	-	-
32	1	1/4" Tap	4.724	1.969	2.362	0.094	0.595	5499104	-	-	-
32	1	1/2" Tap	4.724	1.969	2.362	0.094	0.595	5499130	-	-	-
40	1-1/4	Solid	4.724	1.969	2.953	0.094	0.882	5499012	-	-	-
40	1-1/4	1/4" Tap	4.724	1.969	2.953	0.094	0.882	5499159	-	-	-
40	1-1/4	1/2" Tap	4.724	1.969	2.953	0.094	0.882	5499166	-	-	-
50	1-1/2	Solid	4.724	1.969	3.150	0.118	0.904	5499015	-	-	-
50	1-1/2	1/4" Tap	4.724	1.969	3.150	0.118	0.904	5499207	-	-	-
50	1-1/2	1/2" Tap	4.724	1.969	3.150	0.118	0.904	5499208	-	-	-
63	2	Solid	4.724	2.047	3.307	0.118	0.860	5499020	-	-	-
63	2	1/4" Tap	4.724	2.047	3.307	0.118	0.860	5499244	-	-	-
63	2	1/2" Tap	4.724	2.047	3.307	0.118	0.860	5499246	-	-	-
75	2-1/2	Solid	4.724	1.969	4.134	0.142	1.433	5499025	-	-	-
75	2-1/2	1/4" Tap	4.724	1.969	4.134	0.142	1.433	5499283	-	-	-
75	2-1/2	1/2" Tap	4.724	1.969	4.134	0.142	1.433	5499285	-	-	-
90	3	Solid	5.866	2.362	4.134	0.169	1.367	5492030	0.110	1.21	5499030
90	3	1/4" Tap	5.866	2.362	4.134	0.169	1.367	5492330	0.110	1.21	5499330
90	3	1/2" Tap	5.866	2.362	4.134	0.169	1.367	5492332	0.110	1.21	5499332
110	4	Solid	5.906	2.362	4.882	0.209	1.830	5492040	0.134	1.52	5499040
110	4	1/4" Tap	5.906	2.362	4.882	0.209	1.830	5492402	0.134	1.52	5499402
110	4	1/2" Tap	5.906	2.362	4.882	0.209	1.830	5492399	0.134	1.52	5499399
160	6	Solid	6.220	3.071	7.008	0.303	4.013	5492060	0.193	3.33	5499060
160	6	1/4" Tap	6.220	3.071	7.008	0.303	4.013	5492509	0.193	3.33	5499509
160	6	1/2" Tap	6.220	3.071	7.008	0.303	4.013	5492512	0.193	3.33	5499512

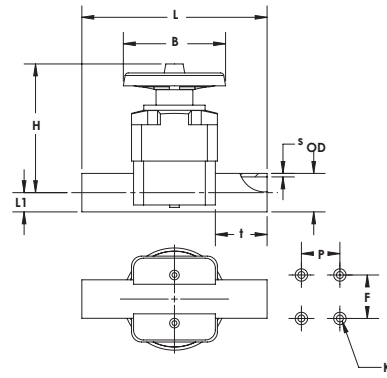
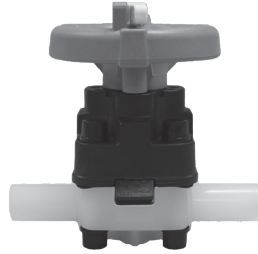
Instrumentation fittings are a machined item, non-returnable / non-cancelable.  
Custom fittings available, consult Asahi/America.



## PROBE ADAPTER

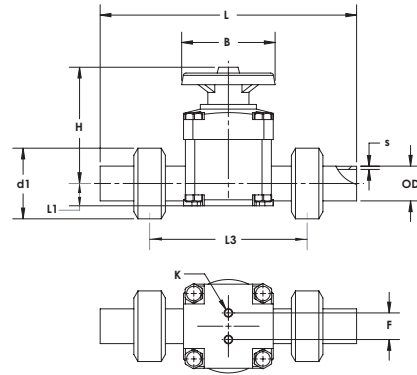
Size		Description	Dimensions			SDR 21 / PN 16 / 230 PSI	SDR 33 / PN 10 / 150 PSI	
mm	inch		h	L	s	Part Number	s	Part Number
20	1/2	Solid	1.00	1.50	0.075	5466005	-	-
20	1/2	1/4" Tap	1.00	1.50	0.075	5466096	-	-
25	3/4	Solid	1.00	1.50	0.075	5466007	-	-
25	3/4	1/4" Tap	1.00	1.50	0.075	5466103	-	-
32	1	Solid	1.00	1.50	0.094	5466010	-	-
32	1	1/4" Tap	1.00	1.50	0.094	5466104	-	-
32	1	1/2" Tap	1.00	1.50	0.094	5466130	-	-
40	1-1/4	Solid	1.00	1.50	0.094	5466012	-	-
40	1-1/4	1/4" Tap	1.00	1.50	0.094	5466159	-	-
40	1-1/4	1/2" Tap	1.00	1.50	0.094	5466166	-	-
50	1-1/2	Solid	1.00	1.50	0.118	5466015	-	-
50	1-1/2	1/4" Tap	1.00	1.50	0.118	5466207	-	-
50	1-1/2	1/2" Tap	1.00	1.50	0.118	5466208	-	-
63	2	Solid	1.00	1.50	0.118	5466020	-	-
63	2	1/4" Tap	1.00	1.50	0.118	5466244	-	-
63	2	1/2" Tap	1.00	1.50	0.118	5466246	-	-
75	2-1/2	Solid	1.00	1.50	0.141	5466025	-	-
75	2-1/2	1/4" Tap	1.00	1.50	0.141	5466283	-	-
75	2-1/2	1/2" Tap	1.00	1.50	0.141	5466285	-	-
90	3	Solid	1.00	1.50	0.169	5469030	0.110	5466030
90	3	1/4" Tap	1.00	1.50	0.169	5469330	0.110	5466330
90	3	1/2" Tap	1.00	1.50	0.169	5469332	0.110	5466332
110	4	Solid	1.00	1.50	0.209	5469040	0.134	5466040
110	4	1/4" Tap	1.00	1.50	0.209	5469402	0.134	5466402
110	4	1/2" Tap	1.00	1.50	0.209	5469399	0.134	5466399

Probe adapters are a machined item, non-returnable / non-cancelable.



**T-342 DIAPHRAGM VALVE**

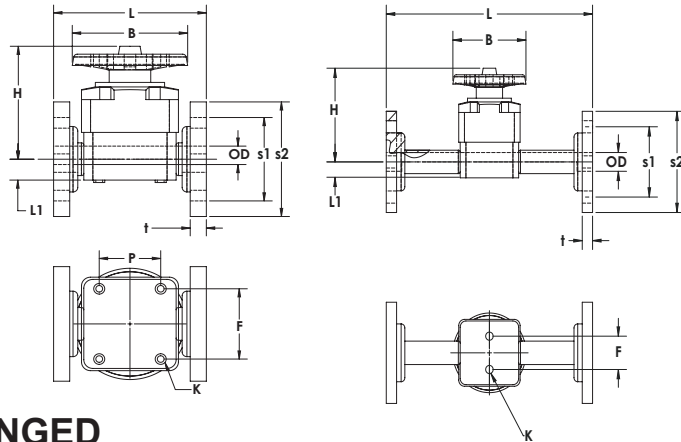
Size		Dimensions									SDR 21 / PN 10 / 150 PSI	
mm	inch	s	L	L1	H	B	t	F	P	K	Weight (lbs)	PTFE Part Number
20	1/2	0.075	5.236	0.650	3.937	3.346	1.417	0.965	-	M6	1.10	1131005
25	3/4	0.075	5.699	0.650	3.937	3.346	1.417	0.965	-	M6	1.12	1131007
32	1	0.094	6.063	0.807	4.213	3.346	1.417	0.965	-	M6	1.61	1131010
40	1-1/4	0.094	7.598	1.004	5.669	5.315	1.811	1.732	-	M8	3.48	1131012
50	1-1/2	0.118	7.638	1.26	5.669	5.315	1.811	1.732	-	M8	3.67	1131015
63	2	0.118	8.819	1.516	6.693	5.315	2.126	1.732	-	M8	5.39	1131020
75	2-1/2	0.142	11.181	0.984	10.000	9.213	1.457	9.055	-	M12	12.6	1131025
90	3	0.169	11.811	0.984	10.000	9.213	1.457	9.055	-	M12	13.1	1131030
110	4	0.209	13.386	0.984	12.598	9.213	1.969	11.024	3.350	M12	23.9	1131040



**T-342 DIAPHRAGM VALVE - TRUE UNION**

Size		Dimensions									SDR 21 / PN 10 / 150 PSI	
mm	inch	s	L	L1	L3	H	B	d1	F	K	Weight (lbs)	Part Number
20	1/2	0.075	7.795	0.650	3.543	3.386	1.870	3.937	0.957	M6	1.10	1164005*
25	3/4	0.075	8.740	0.650	4.252	3.386	2.283	3.937	0.957	M6	1.12	1164007
32	1	0.974	9.291	0.791	4.567	3.386	2.559	4.213	0.957	M6	1.61	1164010
40	1-1/4	0.094	10.236	1.004	5.276	5.354	3.110	5.669	1.732	M8	3.48	1164012
50	1-1/2	0.118	11.260	1.240	6.063	5.354	3.543	5.669	1.732	M8	3.67	1164015
63	2	0.118	12.677	1.516	7.244	5.354	4.331	6.693	1.732	M8	5.39	1164020

\*Special order item, non-returnable/noncancelable

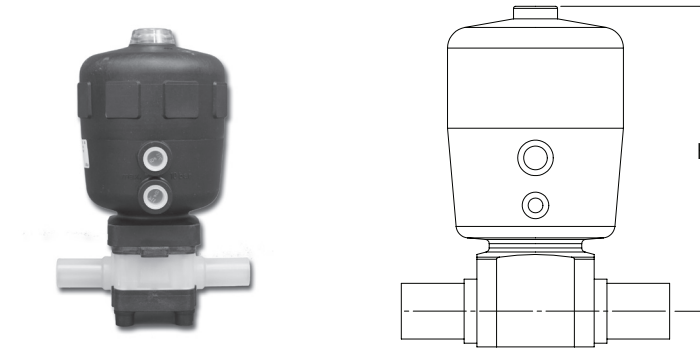


**T-342 DIAPHRAGM VALVE - FLANGED**

Size		Dimensions										SDR 21 / PN 10 / 150 PSI	
mm	inch	s1	s2	L	L1	H	B	t	F	P	K	Weight (lbs)	Part Number
20	1/2	2.561	3.743	8.668	0.670	3.940	3.349	0.473	0.957	-	M6	2.36	1181005*
25	3/4	2.955	4.255	9.456	0.670	3.940	3.349	0.473	0.957	-	M6	2.71	1181007*
32	1	3.349	4.531	9.850	0.827	4.216	3.349	0.630	0.957	-	M6	3.79	1181010*
40	1-1/4	3.503	5.516	7.092	1.005	5.674	5.348	0.749	1.005	-	M8	4.94	1181012
50	1-1/2	3.877	5.910	7.880	1.261	5.674	5.358	0.906	1.261	-	M8	5.73	1181015
63	2	4.728	6.501	9.062	1.517	6.698	5.358	0.985	1.517	-	M8	8.44	1181020
75	2-1/2	5.713	7.368	14.972	0.985	10.008	9.220	0.709	9.062	-	M12	19.0	1181025*
90	3	5.910	7.880	12.214	0.985	10.008	9.220	1.418	0.985	-	M12	17.5	1181030
110	4	6.895	8.983	13.790	0.985	12.608	9.220	1.379	0.985	3.350	M12	30.6	1181040

\*Special order item, non-returnable/noncancelable

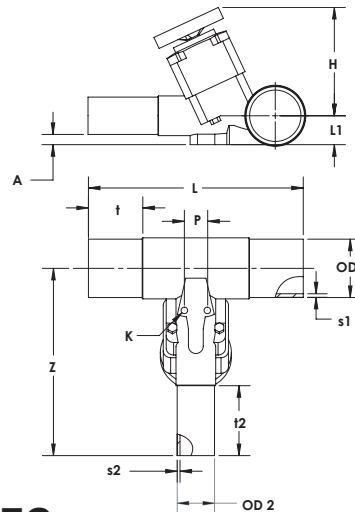




### T-342 DIAPHRAGM VALVE

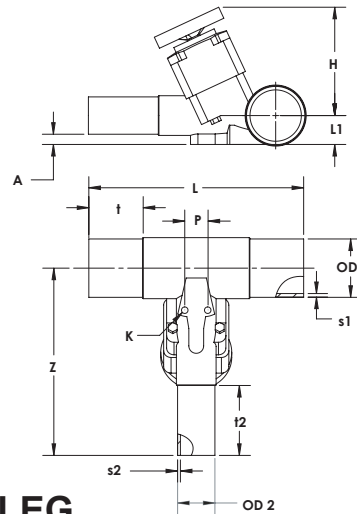
Size		Dimensions	PTFE DIAPHRAGM - SDR 21 / PN 10 / 150 PSI		
mm	inch	H	A-S NC Part Number	A-S NO Part Number	A-A Part Number
20	1/2	6.69	1340005	1349005	1339005
25	3/4	6.69	1340007	1349007	1339007
32	1	6.89	1340010	1349010	1339010
40	1-1/4	10.75	1340012	1349012	1339012
50	1-1/2	10.75	1340015	1349015	1339015
63	2	10.91	1340020	1349020	1339020

Pricing and part numbers are for actuated versions of standard spigot model.  
 Consult factory for pricing on true union or flanged actuated valves.  
 Actuated 342 valves are non-returnable / non-cancelable.



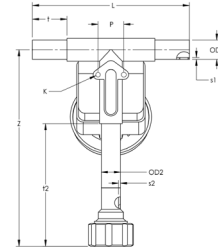
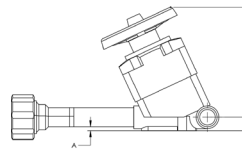
**T-343 DIAPHRAGM VALVE ZERO DEAD LEG**

Size		Dimensions											SDR 21 / PN 10 / 150 PSI	
mm	inch	s1	s2	L	L1	Z	H	A	t	t2	P	K	Weight (lbs)	Part number
20 X 20	1/2 X 1/2	0.075	0.075	6.457	0.512	5.669	4.646	0.787	1.417	2.638	0.984	M6	1.36	1246005
25 X 20	3/4 X 1/2	0.075	0.075	6.457	0.551	5.669	4.646	0.787	1.417	2.638	0.984	M6	1.32	1246101
25 X 25	3/4 X 3/4	0.075	0.075	6.457	0.591	5.591	4.646	0.787	1.417	2.756	0.984	M6	1.34	1246007
32 X 20	1 X 1/2	0.094	0.075	6.457	0.669	5.906	5.039	0.787	1.417	2.283	0.984	M6	1.96	1246130
32 X 25	1 X 3/4	0.094	0.075	6.457	0.669	5.906	5.039	0.787	1.417	2.362	0.984	M6	1.96	1246131
32 X 32	1 X 1	0.094	0.094	7.244	0.709	5.039	5.039	0.787	1.417	2.402	0.984	M6	2.04	1246010
40 X 20	1-1/4 X 1/2	0.094	0.075	7.244	0.827	6.102	5.039	0.787	1.811	2.283	0.984	M6	2.09	1246166
40 X 25	1-1/4 X 3/4	0.094	0.075	7.244	0.846	6.102	5.039	0.787	1.811	2.362	0.984	M6	2.09	1246167
40 X 32	1-1/4 X 1	0.094	0.094	7.244	0.846	6.102	5.039	0.787	1.811	2.402	0.984	M6	2.02	1246168
40 X 40	1-1/4 X 1-1/4	0.118	0.095	9.259	0.847	9.298	7.447	0.787	1.812	3.664	1.772	M8	5.9	1246012
50 X 20	1-1/2 X 1/2	0.118	0.075	7.244	1.043	6.319	5.039	0.787	1.811	2.323	0.984	M6	2.29	1246208
50 X 25	1-1/2 X 3/4	0.118	0.075	7.244	1.043	6.319	5.039	0.787	1.811	2.362	0.984	M6	2.27	1246210
50 X 32	1-1/2 X 1	0.118	0.094	7.244	1.043	6.260	5.039	0.787	1.811	2.402	0.984	M6	2.28	1246211
50 x 40	1-1/2 x 1-1/4	0.118	0.095	9.331	1.83	9.37	7.874	2.244	1.831	3.78	1.772	M6	6.64	1246212
50 x 50	1-1/2 x 1-1/2	0.118	0.118	9.259	1.044	9.377	7.88	0.787	1.812	3.664	1.772	M8	6.56	1246015
63 X 20	2 X 1/2	0.118	0.075	7.244	1.299	6.614	5.039	0.787	1.811	2.283	0.984	M6	2.46	1246246
63 X 25	2 X 3/4	0.118	0.075	7.244	1.299	6.614	5.039	0.787	1.811	2.362	0.984	M6	2.46	1246248
63 X 32	2 X 1	0.118	0.094	7.244	1.299	6.614	5.039	0.787	1.811	2.402	0.984	M6	2.49	1246249
63 x 40	2 x 1-1/4	0.118	0.094	9.252	1.299	9.528	7.835	2.244	1.811	3.484	1.772	M8	7.02	1246250
63 X 50	2 X 1-1/2	0.118	0.118	9.252	1.299	9.528	7.835	2.244	1.811	3.661	1.772	M8	7.04	1246251
63 X 63	2 X 2	0.118	0.118	9.252	1.299	9.528	7.835	2.244	1.811	3.937	1.772	M8	6.95	1246020
75 X 25	2-1/2 X 3/4	0.142	0.075	8.268	0.906	7.047	5.236	1.299	1.299	2.382	0.984	M6	2.84	1246286
75 x 32	2-1/2 x 1	0.142	0.094	8.268	0.906	7.047	5.236	1.299	1.299	2.559	0.984	M6	2.82	1246289
75 X 40	2-1/2 X 1-1/4	0.142	0.094	8.268	1.535	9.764	7.835	2.48	1.299	3.465	1.772	M8	7.17	1246290
75 X 50	2-1/2 X 1-1/2	0.142	0.118	8.268	1.535	9.764	7.835	2.48	1.299	3.661	1.772	M8	7.15	1246291
75 X 63	2-1/2 X 2	0.142	0.118	8.268	1.535	9.764	7.835	2.48	1.299	3.937	1.772	M8	7.08	1246292



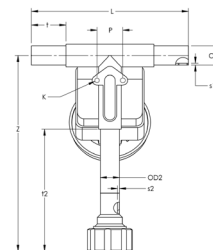
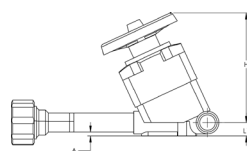
**T-343 DIAPHRAGM VALVE ZERO DEAD LEG**

Size		Dimensions											SDR 21 / PN 10 / 150 PSI	
mm	inch	s1	s2	L	L1	Z	H	A	t	t2	P	K	Weight (lbs)	Part Number
90 x 20	3 x 1/2	0.169	0.075	8.268	0.925	7.402	5.315	1.417	1.299	2.283	0.984	M6	3.30	1246332
90 X 25	3 X 3/4	0.169	0.075	8.268	0.925	7.402	5.315	1.417	1.299	2.382	0.984	M6	3.28	1246333
90 X 32	3 X 1	0.169	0.094	8.268	0.925	7.402	5.315	1.417	1.299	2.52	0.984	M6	3.3	1246336
90 X 40	3 X 1-1/4	0.169	0.094	8.268	1.831	10.039	7.835	2.677	1.299	3.465	1.772	M8	7.55	1246335
90 X 50	3 X 1-1/2	0.169	0.118	8.268	1.831	10.039	7.835	2.559	1.299	3.681	1.772	M8	7.39	1246337
90 X 63	3 X 2	0.169	0.118	8.268	1.831	10.039	7.835	2.559	1.299	3.937	1.772	M8	7.52	1246338
110 x 20	4 x 1/2	0.209	0.075	8.268	1.319	7.677	5.512	1.909	1.299	2.165	0.984	M6	3.94	1246399
110 X 25	4 X 3/4	0.209	0.075	8.268	1.319	7.795	5.512	1.693	1.299	2.264	0.984	M6	3.83	1246404
110 X 32	4 X 1	0.209	0.094	8.268	1.319	7.795	5.512	1.693	1.299	2.402	0.984	M6	3.96	1246401
110 X 40	4 X 1-1/4	0.209	0.094	8.268	2.224	10.512	7.835	2.953	1.299	3.484	1.772	M8	8.29	1246412
110 X 50	4 X 1-1/2	0.209	0.118	8.268	2.224	10.4112	7.835	3.071	1.299	3.681	1.772	M8	8.32	1246415
110 X 63	4 X 2	0.209	0.118	8.268	2.224	10.512	7.835	2.953	1.299	3.937	1.772	M8	8.25	1246420
160 x 32	6 x 1	0.303	0.094	8.346	0.709	8.858	8.071	1.181	2.008	2.441	0.984	M8	5.86	1246516
160 x 40	6 x 1-1/4	0.303	0.095	9.843	1.339	11.417	8.071	2.283	2.126	3.937	1.772	M6	10.99	1246519
160 x 50	6 x 1-1/2	0.303	0.118	9.843	1.339	11.417	8.071	2.283	2.126	3.937	1.772	M6	11.24	1246523
160 x 63	6 x 2	0.303	0.118	9.843	1.339	11.417	8.071	2.283	2.126	3.937	1.772	M8	10.86	1246530
													<b>SDR 33 x SDR 21 / PN 10 / 150 PSI</b>	
90 x 20	3 x 1/2	0.110	0.075	8.268	0.925	7.402	5.315	1.417	1.299	2.283	0.984	M6	2.93	1248332
90 X 25	3 X 3/4	0.110	0.075	8.268	0.925	7.402	5.315	1.417	1.299	2.382	0.984	M6	2.93	1248333
90 X 32	3 X 1	0.110	0.094	8.268	0.925	7.402	5.315	1.417	1.299	2.52	0.984	M6	2.95	1248336
90 X 40	3 X 1-1/4	0.110	0.094	8.268	1.831	10.039	7.835	2.677	1.299	3.465	1.772	M8	7.19	1248335
90 X 50	3 X 1-1/2	0.110	0.118	8.268	1.831	10.039	7.835	2.559	1.299	3.681	1.772	M8	7.44	1248337
90 X 63	3 X 2	0.110	0.118	8.268	1.831	10.039	7.835	2.559	1.299	3.937	1.772	M8	7.13	1248338
110 x 20	4 x 1/2	0.134	0.075	8.268	1.319	7.559	5.512	1.909	1.299	2.165	0.984	M6	3.67	1248399
110 X 25	4 X 3/4	0.134	0.075	8.268	1.319	7.795	5.512	1.693	1.299	2.264	0.984	M6	3.56	1248404
110 X 32	4 X 1	0.134	0.094	8.268	1.319	7.795	5.512	1.693	1.299	2.402	0.984	M6	3.56	1248401
110 X 40	4 X 1-1/4	0.134	0.094	8.268	2.224	10.512	7.835	2.953	1.299	3.484	1.772	M8	8.01	1248412
110 X 50	4 X 1-1/2	0.134	0.118	8.268	2.224	10.512	7.835	3.071	1.299	3.681	1.772	M8	7.83	1248415
110 X 63	4 X 2	0.134	0.118	8.268	2.224	10.512	7.835	2.953	1.299	3.937	1.772	M8	7.50	1248420



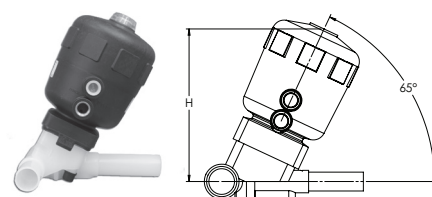
## T-343 DIAPHRAGM VALVE ZERO DEAD LEG WITH MALE UNION AND UNION BLANK

Size		Dimensions											SDR 21 / PN 10 / 150 PSI	
mm	inch	s1	s2	L	L1	Z	H	A	t	t2	P	K	Weight (lbs)	Part number
20 X 20	1/2 X 1/2	0.075	0.075	6.457	0.512	6.769	4.646	0.787	1.417	2.638	0.984	M6	1.36	124601005
25 X 20	3/4 X 1/2	0.075	0.075	6.457	0.551	6.769	4.646	0.787	1.417	2.638	0.984	M6	1.32	124601101
25 X 25	3/4 X 3/4	0.075	0.075	6.457	0.591	6.691	4.646	0.787	1.417	2.756	0.984	M6	1.34	124601007
32 X 20	1 X 1/2	0.094	0.075	6.457	0.669	7.006	5.039	0.787	1.417	2.283	0.984	M6	1.96	124601130
32 X 25	1 X 3/4	0.094	0.075	6.457	0.669	7.006	5.039	0.787	1.417	2.362	0.984	M6	1.96	124601131
32 X 32	1 X 1	0.094	0.094	7.244	0.709	6.139	5.039	0.787	1.417	2.402	0.984	M6	2.04	124601010
40 X 20	1-1/4 X 1/2	0.094	0.075	7.244	0.827	7.202	5.039	0.787	1.811	2.283	0.984	M6	2.09	124601166
40 X 25	1-1/4 X 3/4	0.094	0.075	7.244	0.846	7.202	5.039	0.787	1.811	2.362	0.984	M6	2.09	124601167
40 X 32	1-1/4 X 1	0.094	0.094	7.244	0.846	7.202	5.039	0.787	1.811	2.402	0.984	M6	2.02	124601168
40 X 40	1-1/4 X 1-1/4	0.118	0.095	9.259	0.847	10.398	7.447	0.787	1.812	3.664	1.772	M8	5.9	124601012
50 X 20	1-1/2 X 1/2	0.118	0.075	7.244	1.043	7.419	5.039	0.787	1.811	2.323	0.984	M6	2.29	124601208
50 X 25	1-1/2 X 3/4	0.118	0.075	7.244	1.043	7.419	5.039	0.787	1.811	2.362	0.984	M6	2.27	124601210
50 X 32	1-1/2 X 1	0.118	0.094	7.244	1.043	7.360	5.039	0.787	1.811	2.402	0.984	M6	2.28	124601211
50 x 40	1-1/2 x 1-1/4	0.118	0.095	9.331	1.83	10.470	7.874	2.244	1.831	3.78	1.772	M6	6.64	124601212
50 x 50	1-1/2 x 1-1/2	0.118	0.118	9.259	1.044	10.477	7.88	0.787	1.812	3.664	1.772	M8	6.56	124601015
63 X 20	2 X 1/2	0.118	0.075	7.244	1.299	7.714	5.039	0.787	1.811	2.283	0.984	M6	2.46	124601246
63 X 25	2 X 3/4	0.118	0.075	7.244	1.299	7.714	5.039	0.787	1.811	2.362	0.984	M6	2.46	124601248
63 X 32	2 X 1	0.118	0.094	7.244	1.299	7.714	5.039	0.787	1.811	2.402	0.984	M6	2.49	124601249
63 x 40	2 x 1-1/4	0.118	0.094	9.252	1.299	10.628	7.835	2.244	1.811	3.484	1.772	M8	7.02	124601250
63 X 50	2 X 1-1/2	0.118	0.118	9.252	1.299	10.628	7.835	2.244	1.811	3.661	1.772	M8	7.04	124601251
63 X 63	2 X 2	0.118	0.118	9.252	1.299	10.628	7.835	2.244	1.811	3.937	1.772	M8	6.95	124601020
75 X 25	2-1/2 X 3/4	0.142	0.075	8.268	0.906	8.147	5.236	1.299	1.299	2.382	0.984	M6	2.84	124601286
75 x 32	2-1/2 x 1	0.142	0.094	8.268	0.906	8.147	5.236	1.299	1.299	2.559	0.984	M6	2.82	124601289
75 X 40	2-1/2 X 1-1/4	0.142	0.094	8.268	1.535	10.864	7.835	2.48	1.299	3.465	1.772	M8	7.17	124601290
75 X 50	2-1/2 X 1-1/2	0.142	0.118	8.268	1.535	10.864	7.835	2.48	1.299	3.661	1.772	M8	7.15	124601291
75 X 63	2-1/2 X 2	0.142	0.118	8.268	1.535	10.864	7.835	2.48	1.299	3.937	1.772	M8	7.08	124601292



**T-343 DIAPHRAGM VALVE ZERO DEAD LEG WITH MALE UNION AND UNION BLANK (Continued)**

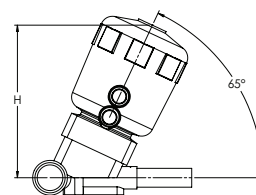
Size		Dimensions											SDR 21 / PN 10 / 150 PSI	
mm	inch	s1	s2	L	L1	Z	H	A	t	t2	P	K	Weight (lbs)	Part Number
90 x 20	3 x 1/2	0.169	0.075	8.268	0.925	8.502	5.315	1.417	1.299	2.283	0.984	M6	3.30	124601332
90 X 25	3 X 3/4	0.169	0.075	8.268	0.925	8.502	5.315	1.417	1.299	2.382	0.984	M6	3.28	124601333
90 X 32	3 X 1	0.169	0.094	8.268	0.925	8.502	5.315	1.417	1.299	2.52	0.984	M6	3.3	124601336
90 X 40	3 X 1-1/4	0.169	0.094	8.268	1.831	11.139	7.835	2.677	1.299	3.465	1.772	M8	7.55	124601335
90 X 50	3 X 1-1/2	0.169	0.118	8.268	1.831	11.139	7.835	2.559	1.299	3.681	1.772	M8	7.39	124601337
90 X 63	3 X 2	0.169	0.118	8.268	1.831	11.139	7.835	2.559	1.299	3.937	1.772	M8	7.52	124601338
110 x 20	4 x 1/2	0.209	0.075	8.268	1.319	8.777	5.512	1.909	1.299	2.165	0.984	M6	3.94	124601399
110 X 25	4 X 3/4	0.209	0.075	8.268	1.319	8.895	5.512	1.693	1.299	2.264	0.984	M6	3.83	124601404
110 X 32	4 X 1	0.209	0.094	8.268	1.319	8.895	5.512	1.693	1.299	2.402	0.984	M6	3.96	124601401
110 X 40	4 X 1-1/4	0.209	0.094	8.268	2.224	11.612	7.835	2.953	1.299	3.484	1.772	M8	8.29	124601412
110 X 50	4 X 1-1/2	0.209	0.118	8.268	2.224	11.511	7.835	3.071	1.299	3.681	1.772	M8	8.32	124601415
110 X 63	4 X 2	0.209	0.118	8.268	2.224	11.612	7.835	2.953	1.299	3.937	1.772	M8	8.25	124601420
160 x 32	6 x 1	0.303	0.094	8.346	0.709	9.958	8.071	1.181	2.008	2.441	0.984	M8	5.86	124601516
160 x 40	6 x 1-1/4	0.303	0.095	9.843	1.339	12.517	8.071	2.283	2.126	3.937	1.772	M6	10.99	124601519
160 x 50	6 x 1-1/2	0.303	0.118	9.843	1.339	12.517	8.071	2.283	2.126	3.937	1.772	M6	11.24	124601523
160 x 63	6 x 2	0.303	0.118	9.843	1.339	12.517	8.071	2.283	2.126	3.937	1.772	M8	10.86	124601530
													<b>SDR 33 x SDR 21 / PN 10 / 150 PSI</b>	
90 x 20	3 x 1/2	0.110	0.075	8.268	0.925	8.502	5.315	1.417	1.299	2.283	0.984	M6	2.93	124801332
90 X 25	3 X 3/4	0.110	0.075	8.268	0.925	8.502	5.315	1.417	1.299	2.382	0.984	M6	2.93	124801333
90 X 32	3 X 1	0.110	0.094	8.268	0.925	8.502	5.315	1.417	1.299	2.52	0.984	M6	2.95	124801336
90 X 40	3 X 1-1/4	0.110	0.094	8.268	1.831	11.139	7.835	2.677	1.299	3.465	1.772	M8	7.19	124801335
90 X 50	3 X 1-1/2	0.110	0.118	8.268	1.831	11.139	7.835	2.559	1.299	3.681	1.772	M8	7.44	124801337
90 X 63	3 X 2	0.110	0.118	8.268	1.831	11.139	7.835	2.559	1.299	3.937	1.772	M8	7.13	124801338
110 x 20	4 x 1/2	0.134	0.075	8.268	1.319	8.659	5.512	1.909	1.299	2.165	0.984	M6	3.67	124801399
110 X 25	4 X 3/4	0.134	0.075	8.268	1.319	8.895	5.512	1.693	1.299	2.264	0.984	M6	3.56	124801404
110 X 32	4 X 1	0.134	0.094	8.268	1.319	8.895	5.512	1.693	1.299	2.402	0.984	M6	3.56	124801401
110 X 40	4 X 1-1/4	0.134	0.094	8.268	2.224	11.612	7.835	2.953	1.299	3.484	1.772	M8	8.01	124801412
110 X 50	4 X 1-1/2	0.134	0.118	8.268	2.224	11.612	7.835	3.071	1.299	3.681	1.772	M8	7.83	124801415
110 X 63	4 X 2	0.134	0.118	8.268	2.224	11.612	7.835	2.953	1.299	3.937	1.772	M8	7.50	124801420

**T-343 DIAPHRAGM VALVE ZERO DEAD LEG**

Size		Dimensions	SDR 21 / PN 10 / 150 PSI		
mm	inch	H	A-S NC Part Number	A-S NO Part Number	A-A Part Number
20 X 20	1/2 X 1/2	6.65	1317005	1342005	1367005
25 X 20	3/4 X 1/2	6.65	1317101	1342101	1367101
25 X 25	3/4 X 3/4	6.65	1317007	1342007	1367007
32 X 20	1 X 1/2	7.05	1317130	1342130	1367130
32 X 25	1 X 3/4	7.05	1317131	1342131	1367131
32 X 32	1 X 1	7.05	1317010	1342010	1367010
40 X 20	1-1/4 X 1/2	7.05	1317166	1342166	1367166
40 X 25	1-1/4 X 3/4	7.05	1317167	1342167	1367167
40 X 32	1-1/4 X 1	7.05	1317168	1342168	1367168
40 x 40	1-1/4 x 1-1/4	10.91	1317012	1342012	1367012
50 X 20	1-1/2 X 1/2	7.05	1317208	1342208	1367208
50 X 25	1-1/2 X 3/4	7.05	1317210	1342210	1367210
50 X 32	1-1/2 X 1	7.05	1317211	1342211	1367211
50 x 40	1-1/2 x 1-1/4	11.34	1317212	1342212	1367212
50 x 50	1-1/2 x 1-1/2	11.34	1317015	1342015	1367015
63 X 20	2 X 1/2	7.05	1317246	1342246	1367246
63 X 25	2 X 3/4	7.05	1317248	1342248	1367248
63 X 32	2 X 1	7.05	1317249	1342249	1367249
63 x 40	2 x 1-1/4	11.26	1317250	1342250	1367250
63 X 50	2 X 1-1/2	11.26	1317251	1342251	1367251
63 X 63	2 X 2	11.26	1317020	1342020	1367020
75 X 25	2-1/2 X 3/4	7.24	1317286	1342286	1367286
75 x 32	2-1/2 x 1	7.24	1317289	1342289	1367289
75 X 40	2-1/2 X 1-1/4	11.18	1317290	1342290	1367290
75 X 50	2-1/2 X 1-1/2	11.18	1317291	1342291	1367291
75 X 63	2 1/2 X 2	11.18	1317292	1342292	1367292

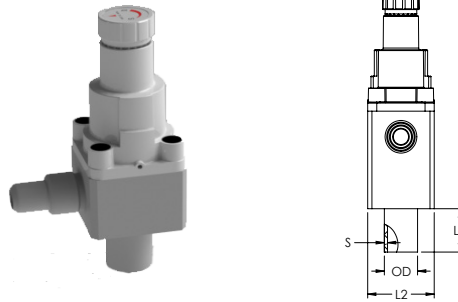
Actuated 343 valves are non-returnable / non-cancelable.

## T-343 DIAPHRAGM VALVE ZERO DEAD LEG



Size		Dimensions	SDR 21 / PN 10 / 150 PSI		
mm	inch	H	A-S NC Part Number	A-S NO Part Number	A-A Part Number
90 X 32	3 X 1	7.36	1317336	1342336	1367336
90 X 40	3 X 1-1/4	11.26	1317335	1342335	1367335
90 X 50	3 X 1-1/2	11.26	1317337	1342337	1367337
90 X 63	3 X 2	11.26	1317338	1342338	1367338
110 x 20	4 x 1/2	7.52	1317399	1342399	1367399
110 X 25	4 X 3/4	7.52	1317404	1342404	1367404
110 X 32	4 X 1	7.52	1317401	1342401	1367401
110 X 40	4 X 1-1/4	11.26	1317412	1342412	1367412
110 X 50	4 X 1-1/2	11.26	1317415	1342415	1367415
110 X 63	4 X 2	11.26	1317420	1342420	1367420
160 x32	6 x 1	7.52	1317516	1342516	1367516
160 x 40	6 x 1-1/4	11.26	1317519	1342519	1367519
160 x 50	6 x 1-1/2	11.26	1317523	1342523	1367523
160 x 63	6 x 2	11.26	1317530	1342530	1367530
Size		Dimensions	SDR 33 x SDR 21 / PN 10 / 150 PSI		
mm	inch	H	A-S NC Part Number	A-S NO Part Number	A-A Part Number
90 x 20	3 x 1/2	7.36	1316332	1344332	1369332
90 X 25	3 X 3/4	7.36	1316333	1344333	1369333
90 X 32	3 X 1	7.36	1316336	1344336	1369336
90 X 40	3 X 1-1/4	11.26	1316335	1344335	1369335
90 X 50	3 X 1-1/2	11.26	1316337	1344337	1369337
90 X 63	3 X 2	11.26	1316338	1344338	1369338
110 x 20	4 x 1/2	7.52	1316399	1344399	1369399
110 X 25	4 X 3/4	7.52	1316404	1344404	1369404
110 X 32	4 X 1	7.52	1316401	1344401	1369401
110 X 40	4 X 1-1/4	11.26	1316412	1344412	1369412
110 X 50	4 X 1-1/2	11.26	1316415	1344415	1369415
110 X 63	4 X 2	11.26	1316420	1344420	1369420

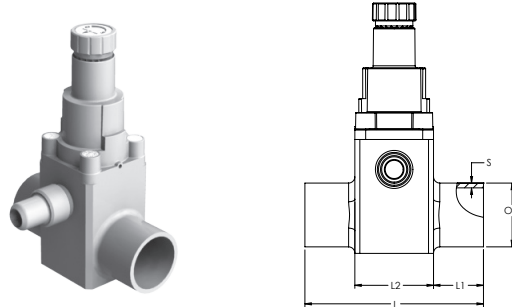
Actuated 343 valves are non-returnable / non-cancelable.



## MPV SAMPLING VALVE WITH PUSH-2-LOCK™ HANDLE WITH FLARE

Size		Flare inch	Description	Dimensions			SDR 21 / MOP 100 PSI
mm	inch			L1	L2	s	Part Number
20	1/2	1/4"	Spigot Inlet	1.0	1.575	0.075	548101096
		1/2"	Spigot Inlet	1.0	1.575	0.075	548101005
20	1/2	1/4"	MNPT Inlet	-	1.575	0.075	548102096
		1/2"	MNPT Inlet	-	1.575	0.075	548102005

Non-returnable / non-cancelable.

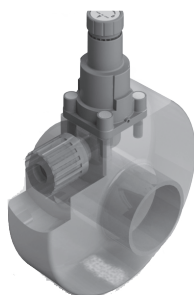


## MPV INLINE SAMPLING VALVE WITH PUSH-2-LOCK™ HANDLE PVDF BODY, PTFE DIAPHRAGM

Size		Flare inch	Dimensions				SDR 21 / MOP 100 PSI
mm	inch		L	L1	L2	s	Part Number
20	1/2	1/4"	2.6	1.0	1.575	0.075	549902096
		1/2"	2.6	1.0	1.575	0.075	549902005
25	3/4	1/4"	2.6	1.0	1.575	0.075	549902103
		1/2"	2.6	1.0	1.575	0.075	549902101
32	1	1/4"	2.6	1.0	1.575	0.094	549902104
		1/2"	2.6	1.0	1.575	0.094	549902130
40	1-1/4	1/4"	2.6	1.0	1.575	0.094	549902159
		1/2"	2.6	1.0	1.575	0.094	549902166
50	1-1/2	1/4"	2.6	1.0	1.575	0.118	549902207
		1/2"	2.6	1.0	1.575	0.118	549902205

Non-returnable / non-cancelable.

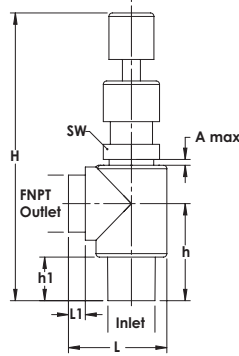




## MPV SAMPLING INLINE VALVE WITH PUSH-2-LOCK™ HANDLE PVDF BODY, PTFE DIAPHRAGM

Size		Flare	SDR 21 / MOP 100 PSI	SDR 33 / MOP 100 PSI
mm	inch	inch	Part Number	Part Number
63	2	1/4"	549902244	-
		1/2"	549902246	-
75	2-1/2	1/4"	549902283	-
		1/2"	549902285	-
90	3	1/4"	549202330	549902330
		1/2"	549202332	549902332
110	4	1/4"	549202402	549902402
		1/2"	549202399	549902399
160	6	1/4"	549202509	549902509
		1/2"	549202512	549902512
200	8	1/4"	549202565	549902565
		1/2"	549202569	549902569
225	9	1/4"	549202598	549902598
		1/2"	549202599	549902599
250	10	1/4"	549202619	549902619
		1/2"	549202621	549902621

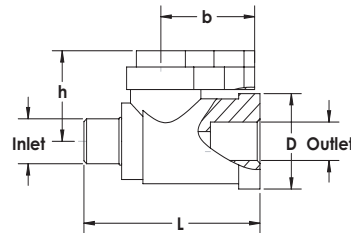
Non-returnable / non-cancelable.  
Please consult Asahi/America for dimensions.



### ANGLE NEEDLE VALVE

Size		Dimensions							PN 10 /150 PSI	
Inlet	Outlet	D	H	h	A max	L	L1	sw	Weight (lbs)	Part Number
20mm Butt	1/2" FNPT	1.18	4.67	1.38	0.35	1.97	0.55	1.06	0.23	5482005
1/4" MNPT	1/4" FNPT	0.79	3.72	1.16	0.28	1.48	0.31	0.81	0.23	5480002
1/2" MNPT	1/2" FNPT	1.18	4.63	1.34	0.35	1.97	0.55	1.06	0.23	5480005

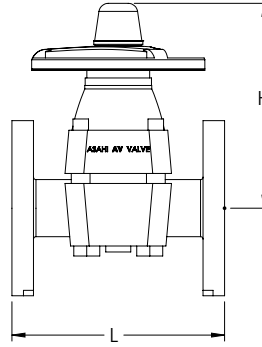
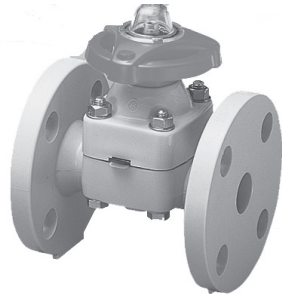
Ideal for use with an instrumentation fitting.



### SAMPLING BALL VALVE

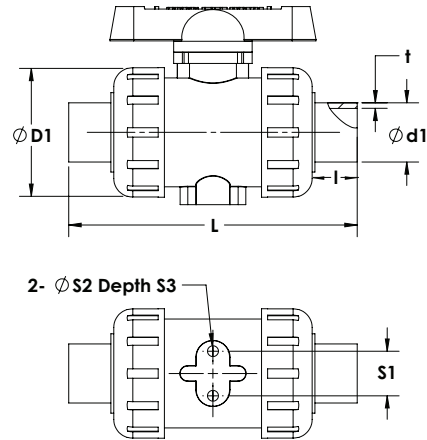
Size		Dimensions				PN 10 /150 PSI	
Inlet	Outlet	D	L	h	b	Weight (lbs)	Part Number
1/4"MNPT	1/4" FNPT*	1.100	2.200	1.040	1.170	0.13	1068003

Also includes outlet nipple adapters for 1/4" MNPT and hose barb.  
Ideal for use with an instrumentation fitting.



**PVDF TYPE-14/15 FLANGED DIAPHRAGM VALVES**

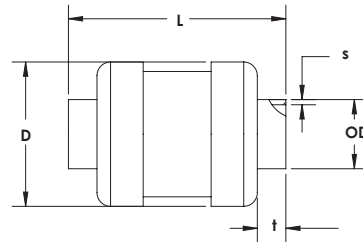
Size		Dimensions		ANSI / PN 10 / 150 PSI
				PVDF BONNET/PTFE DIA.
mm	inch	H	L	Part Number
20	1/2	7.32	4.25	1947005
25	3/4	7.40	5.88	1947007
32	1	7.60	5.88	1947010
40	1-1/4	7.76	6.38	1947012
50	1-1/2	11.54	6.94	1947015
63	2	11.89	7.94	1947020
75	2-1/2	10.47	9.84	1947025
90	3	11.02	10.38	1947030
110	4	12.95	12.94	1947040
160	6	18.74	18.90	1947060
200	8	24.69	22.24	1947080
250	10	30.63	26.77	1947100



### TYPE-21 BALL VALVE

Size		Dimension								Weight (lbs)	SDR 21 / PN 16 / 230 PSI	
mm	inch	D1	d1	l	t	L	S1	S2	S3		Part Number	
20	1/2	1.89	0.787	0.728	0.075	4.882	0.75	0.29	0.43	0.5	1067005	
25	3/4	2.36	0.984	0.866	0.075	5.670	0.75	0.29	0.43	0.8	1067007	
32	1	2.76	1.260	0.866	0.094	6.063	0.75	0.29	0.43	1.1	1067010	
40	1-1/4	3.23	1.575	1.024	0.094	6.850	1.18	0.35	0.59	2.3	1067012	
50	1-1/2	3.94	1.969	1.260	0.118	7.638	1.18	0.35	0.59	2.5	1067015	
63	2	4.96	2.480	1.414	0.118	8.819	1.18	0.35	0.59	2.7	1067020	

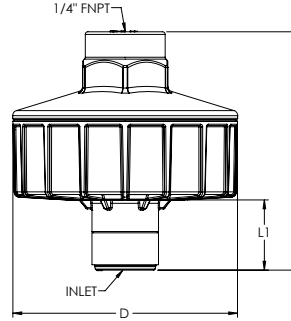
Supplied cleaned and bagged.  
Specialty connections required for beadless fusion, additional charges apply.



### BALL CHECK VALVE

Size		Dimensions				SDR 21 / PN 16 / 150 PSI	
mm	inch	D	L	t	s	Part Number	
20	1/2	1.871	4.000	0.728	0.098	1208005	
25	3/4	2.279	4.350	0.866	0.109	1208007	
32	1	2.553	4.750	0.866	0.120	1208010	
40	1-1/4	3.115	5.250	1.170	0.144	1208012	
50	1-1/2	3.568	5.750	1.260	0.179	1208015	
63	2	4.355	6.500	1.417	0.226	1208020	

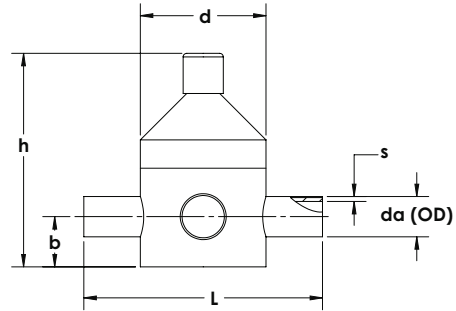
Supplied cleaned and bagged.  
Specialty connections required for beadless fusion, additional charges apply.



### Z801 GAUGE GUARD

Inlet Size	Description	Dimensions			SDR 11 / PN10 / 150 PSI
		D	L	L1	Part Number
1/4" FNPT	TFM Backed EPDM Diaphragm	3.327	4.024	1.004	17801303
1/2" FNPT	TFM Backed EPDM Diaphragm	3.327	4.024	1.004	17801304
25mm Butt	TFM Backed EPDM Diaphragm	3.327	4.673	1.654	17801305
32mm Butt	TFM Backed EPDM Diaphragm	3.327	4.673	1.654	17801306

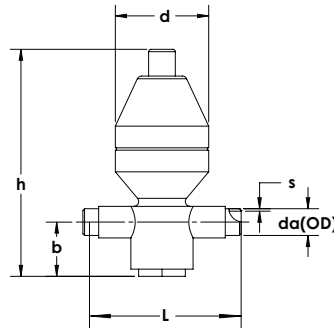
Gauge not included. Items are non-returnable / non-cancelable.



### T-241 PRESSURE REGULATOR WITH GAUGE GUARD

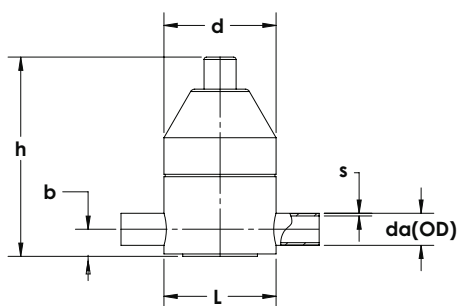
Size		Dimensions						Range psi	Weight (lbs)	Spigot
mm	inch	DN	d	L	b	h	s			SDR 21 / PN 10 / 150 PSI
										Part Number
20	1/2	0.591	2.756	5.906	1.181	5.118	0.075	7.25-145	1.17	540341005
25	3/4	0.787	3.937	7.480	1.575	6.693	0.075	7.25-145	2.38	540341007
32	1	0.984	3.937	7.480	1.575	6.693	0.094	7.25-145	2.90	540341010
40	1-1/4	1.260	5.118	9.449	2.165	9.055	0.094	7.25-145	5.52	540341012
50	1-1/2	1.575	5.118	9.449	2.165	9.055	0.118	7.25-145	5.52	540341015
63	2	1.969	6.102	10.236	2.953	11.220	0.118	7.25-145	8.71	540341020
75	2-1/2	2.559	7.480	11.811	3.937	13.780	0.142	7.25-145	17.40	540341025

Includes stainless steel pressure gauge.



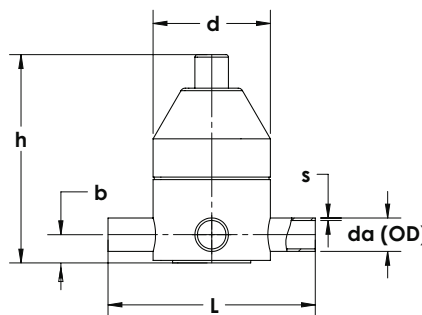
### V782 PRESSURE REGULATOR

Size		Dimensions						Range psi	Weight (lbs)	Spigot
mm	inch	DN	d	L	b	h	s			SDR 21 / PN 10 / 150 PSI
										Part Number
20	1/2	0.591	3.268	6.772	1.890	9.449	0.075	7.25-145	2.01	540243005
25	3/4	0.787	4.409	7.480	2.559	10.709	0.075	7.25-145	4.24	540243007
32	1	0.984	4.409	7.480	2.559	10.709	0.094	7.25-145	4.20	540243010
40	1-1/4	1.260	6.496	10.315	3.740	14.016	0.094	7.25-145	15.43	540243012
50	1-1/2	1.575	6.496	10.315	3.740	14.016	0.118	7.25-145	13.89	540243015



### V186 BACK PRESSURE REGULATOR

Size		Dimensions						Range psi	Weight (lbs)	Spigot
mm	inch	DN	d	L	b	h	s			SDR 21 / PN 10 / 150 PSI
										Part Number
20	1/2	0.591	3.268	6.220	0.787	5.394	0.075	7.25-145	1.32	540244005
25	3/4	0.787	3.268	6.220	0.787	5.394	0.075	7.25-145	1.32	540244007
32	1	0.984	4.409	7.795	1.063	7.835	0.094	7.25-145	3.24	540244010
40	1-1/4	1.260	4.409	7.795	1.063	7.835	0.094	7.25-145	3.53	540244012
50	1-1/2	1.575	6.496	10.079	1.693	11.417	0.118	7.25-145	15.80	540244015
63	2	1.969	6.496	10.079	1.693	11.417	0.118	7.25-145	17.64	540244020

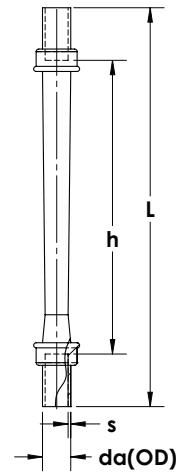


### V185 PRESSURE RELIEF T-VALVE

Size		Dimensions						Range psi	Weight (lbs)	Spigot
mm	inch	DN	d	L	b	h	s			SDR 21 / PN 10 / 150 PSI
										Part Number
20	1/2	0.591	3.268	6.220	0.787	5.394	0.075	7.25-145	1.54	540245005
25	3/4	0.787	3.268	6.220	0.787	5.394	0.075	7.25-145	1.54	540245007
32	1	0.984	4.409	7.795	1.063	7.835	0.094	7.25-145	3.75	540245010
40	1-1/4	1.260	4.409	7.795	1.063	7.835	0.094	7.25-145	3.75	540245012
50	1-1/2	1.575	6.496	10.079	1.693	11.417	0.118	7.25-145	16.27	540245015
63	2	1.969	6.496	10.079	1.693	11.417	0.118	7.25-145	18.30	540245020



M335



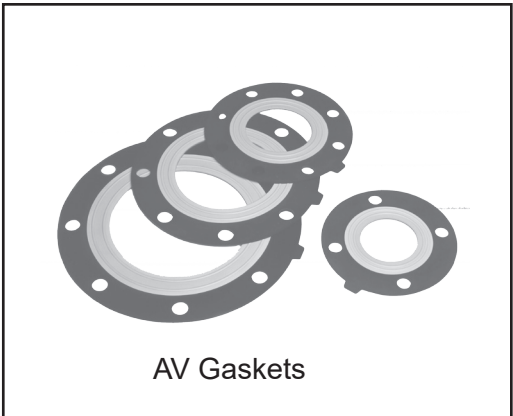
## M335 FLOWMETER

Size		Flow Rate	PA Tube, Spigot, FKM / SDR 21 / 150 PSI				Part Number
mm	inch		da(OD)	L	h	s	
20	1/2	0.44 -4.4 GPM (100 -1000 LPH)	0.787	17.91	13.19	0.075	540247010
25	3/4		0.984	17.91	13.19	0.091	540247011
25	3/4	0.88 -8.8 GPM (200 -2000 LPH)	0.984	17.91	13.19	0.091	540247012
32	1		1.26	17.91	13.19	0.114	540247013
25	3/4	1.1-11 GPM (250 -2500 LPH)	0.984	17.91	13.19	0.091	540247014
32	1		1.26	17.91	13.19	0.114	540247015
32	1	1.32 -13.2 GPM (300 -3000 LPH)	1.26	18.11	13.19	0.114	540247016
40	1-1/4		1.575	18.11	13.19	0.146	540247017
40	1-1/4	2.64 -26.4 GPM (600 -6000 LPH)	1.575	18.62	13.19	0.146	540247018
50	1-1/2		1.969	18.62	13.19	0.181	540247019
63	2		2.48	18.62	13.19	0.228	540247020
50	1-1/2	4.4 -44 GPM (1000 -10000 LPH)	1.969	18.62	13.19	0.181	540247021
63	2		2.48	18.62	13.19	0.228	540247022
75	2-1/2		2.953	18.62	13.19	0.268	540247023
63	2	6.6 -66 GPM (1500 -15000 LPH)	2.48	18.62	13.19	0.228	540247024
75	2-1/2		2.953	23.11	13.19	0.268	540247025
90	3		3.543	23.11	13.19	0.169	540247026
63	2	8.8 -88 GPM (2000 -20000 LPH)	2.48	23.11	13.19	0.228	540247027
75	2-1/2		2.953	23.11	13.19	0.268	540247028
90	3		3.543	23.11	13.19	0.169	540247029
110	4	13.2 -132 GPM (3000 -30000 LPH)	4.331	23.11	13.19	0.204	540247030
75	2-1/2		2.953	23.11	13.19	0.268	540247031
90	3		3.543	23.11	13.19	0.169	540247032
110	4		4.331	23.11	13.19	0.204	540247033



# Piping System Accessories

Accessories



**BACKING RING\***

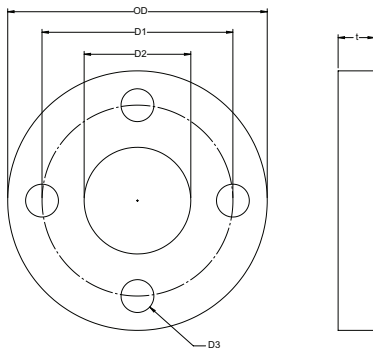


**Backing Ring**

Size		Description	PP - Grey	PP - Black*
mm	inch		Part Number	Part Number
20	1/2	ANSI 150#	5046005	5146005
25	3/4	ANSI 150#	5046007	5146007
32	1	ANSI 150#	5046010	5146010
40	1-1/4	ANSI 150#	5046012	5146012
50	1-1/2	ANSI 150#	5046015	5146015
63	2	ANSI 150#	5046020	5146020
75	2-1/2	ANSI 150#	5046025	5146025
90	3	ANSI 150#	5046030	5146030
110	4	ANSI 150#	5046040	5146040
160	6	ANSI 150#	5046060	5146060
200/225	8	ANSI 150#	5046080	5146080
250/280	10	ANSI 150#	5046100	5146100
315	12	ANSI 150#	5046120	5146120

\*DIN bolt pattern PN 10/16 available.  
 \*PP black UV resistant.

Accessories



Size		Dimensions						
mm	inch	OD	D1	D2	D3	t	Weight	# of Bolt Holes
20	1/2	3.740	2.380	1.102	0.630	0.472	0.463	4
25	3/4	4.016	2.750	1.339	0.630	0.472	0.529	4
32	1	4.488	3.120	1.654	0.630	0.630	0.807	4
40	1-1/4	5.118	3.500	2.008	0.630	0.630	1.235	4
50	1-1/2	5.236	3.880	2.441	0.630	0.709	1.193	4
63	2	6.378	4.750	3.071	0.787	0.709	1.788	4
75	2-1/2	7.244	5.500	3.622	0.787	0.709	2.352	4
90	3	7.638	6.000	4.370	0.787	0.709	2.271	4
110	4	9.016	7.500	5.236	0.787	0.709	3.342	8
160	6	11.142	9.500	7.008	0.866	0.945	5.115	8
200/225	8	13.583	11.750	9.291	0.866	0.945	7.474	8
250/280	10	16.220	14.250	11.339	0.984	1.024	13.669	12
315	12	19.173	17.000	13.307	0.984	1.260	28.748	12

225mm (9") and 200mm (8") stub ends use 8" ANSI backing rings.  
 Consult factory for backing rings larger than 315mm (12").

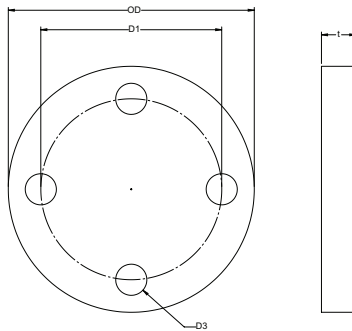
### PP BLIND FLANGE



**PP  
Blind Flange**

Size		Description	230 PSI Part Number
mm	inch		
20	1/2	Steel Insert, ANSI 150#	5042005
25	3/4	Steel Insert, ANSI 150#	5042007
32	1	Steel Insert, ANSI 150#	5042010
40	1-1/4	Steel Insert, ANSI 150#	5042012
50	1-1/2	Steel Insert, ANSI 150#	5042015
63	2	Steel Insert, ANSI 150#	5042020
75	2-1/2	Steel Insert, ANSI 150#	5042025
90	3	Steel Insert, ANSI 150#	5042030
110	4	Steel Insert, ANSI 150#	5042040
160	6	Steel Insert, ANSI 150#	5042060
200	8	Steel Insert, ANSI 150#	5042080
250	10	Steel Insert, ANSI 150#	5042100
315	12	Steel Insert, ANSI 150#	5042120

**Accessories**



Size		OD	D1	D3	t	Weight (lbs)	# of Bolt Holes
mm	inch						
20	1/2	3.740	2.380	0.630	0.472	0.569	4
25	3/4	4.016	2.750	0.630	0.472	0.750	4
32	1	4.488	3.120	0.630	0.630	1.118	4
40	1-1/4	5.118	3.500	0.630	0.630	1.614	4
50	1-1/2	5.236	3.880	0.630	0.709	1.775	4
63	2	6.378	4.750	0.787	0.709	2.690	4
75	2-1/2	7.244	5.500	0.787	0.709	3.400	4
90	3	7.638	6.000	0.787	0.709	4.057	4
110	4	9.016	7.500	0.787	0.709	6.504	8
160	6	11.142	9.500	0.866	0.945	11.244	8
200	8	13.583	11.750	0.866	0.945	17.461	8
250	10	16.220	14.250	0.984	1.024	33.400	12
315	12	19.173	17.000	0.984	1.260	63.493	12

### PVDF BLIND FLANGE LINER

Size		Description	Not Pressure Rated Part Number
mm	inch		
20	1/2	ANSI 150#	5427005
25	3/4	ANSI 150#	5427007
32	1	ANSI 150#	5427010
40	1-1/4	ANSI 150#	5427012
50	1-1/2	ANSI 150#	5427015
63	2	ANSI 150#	5427020
75	2-1/2	ANSI 150#	5427025
90	3	ANSI 150#	5427030
110	4	ANSI 150#	5427040
160	6	ANSI 150#	5427060
200	8	ANSI 150#	5427080

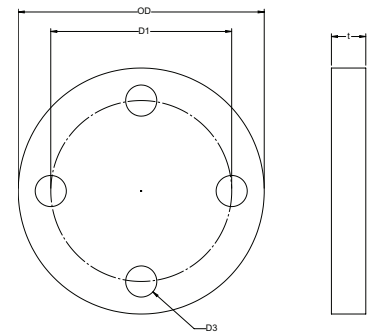


**PVDF  
Blind Flange Liner**

Machined item non-returnable / non-cancelable.  
Not for pressure applications unless utilized with pressure rated blind flange see above.

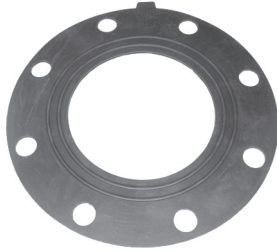
Accessories

Size		OD	D1	D3	t	Weight (lbs)	# of Bolt Holes
mm	inch						
20	1/2	3.740	2.380	0.630	0.669	0.258	4
25	3/4	4.016	2.750	0.630	0.669	0.340	4
32	1	4.488	3.120	0.630	0.669	0.507	4
40	1-1/4	5.118	3.500	0.630	0.669	0.732	4
50	1-1/2	5.236	3.880	0.630	0.669	0.805	4
63	2	6.378	4.750	0.787	0.669	1.220	4
75	2-1/2	7.244	5.500	0.787	0.669	1.542	4
90	3	7.638	6.000	0.787	0.669	1.840	4
110	4	9.016	7.500	0.787	0.669	2.950	8
160	6	11.142	9.500	0.866	0.669	5.100	8
200	8	13.583	11.750	0.866	0.669	7.920	8
250	10	16.220	14.250	0.984	0.669	15.150	12
315	12	19.173	17.000	0.984	0.669	28.800	12



### AV Gaskets

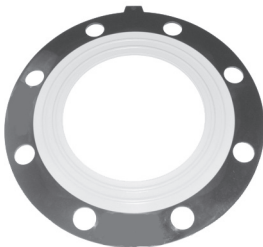
Please consult current Valve List Price book to ensure the list prices on all AV gaskets are current. Current Valve Price book supersedes this pricing.



**EPDM**  
Durometer 65-70



**PVDF**  
Durometer 83-85



**PTFE**  
Durometer 95-100

### CT GASKETS -PTFE\*



**PTFE**

\* Non stock-special order

### AV Gaskets - EPDM

Size	Description	Part Number
1/2"	EPDM	3113005
3/4"	EPDM	3113007
1"	EPDM	3113010
1-1/4"	EPDM	3113012
1-1/2"	EPDM	3113015
2"	EPDM	3113020
2-1/2"	EPDM	3113025
3"	EPDM	3113030
4"	EPDM	3113040
6"	EPDM	3113060
8"	EPDM	3113080
10"	EPDM	3113100
12"	EPDM	3113120

### AV Gaskets - PVDF

Size	Description	Part Number
1/2"	PVDF	3115005
3/4"	PVDF	3115007
1"	PVDF	3115010
1-1/2"	PVDF	3115015
2"	PVDF	3115020
3"	PVDF	3115030
4"	PVDF	3115040
6"	PVDF	3115060
8"	PVDF	3115080
10"	PVDF	3115100

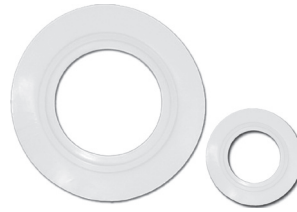
### AV Gaskets - PTFE

Size	Description	Part Number
1/2"	PTFE	3114005
3/4"	PTFE	3114007
1"	PTFE	3114010
1-1/4"	PTFE	3114012
1-1/2"	PTFE	3114015
2"	PTFE	3114020
2-1/2"	PTFE	3114025
3"	PTFE	3114030
4"	PTFE	3114040
6"	PTFE	3114060
8"	PTFE	3114080
10"	PTFE	3114100
12"	PTFE	3114120

General grade, available cleaned and bagged.

Size		Description	Part Number
mm	inch		
355	14	ANSI 150#	3116140
400	16	ANSI 150#	3116160
450	18	ANSI 150#	3116180
500	20	ANSI 150#	3116200
630	24	ANSI 150#	3116240

Accessories



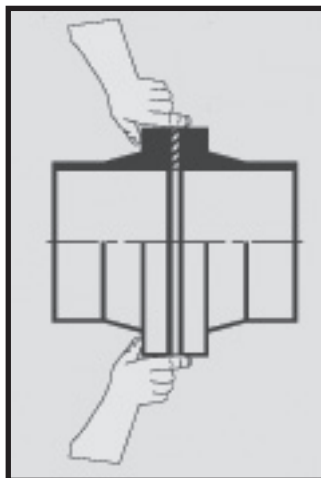
Seal Clean Gaskets

**SEAL CLEAN ePTFE GASKET**

Size		Description	SDR 11 Part Number	SDR 21 Part Number	SDR 33 Part Number
mm	inch				
20	1/2	ZDL, Low Torque	3175005	3171005	3173005
25	3/4	ZDL, Low Torque	3175007	3171007	3173007
32	1	ZDL, Low Torque	3175010	3171010	3173010
40	1-1/4	ZDL, Low Torque	3175012	3171012	3173012
50	1-1/2	ZDL, Low Torque	3175015	3171015	3173015
63	2	ZDL, Low Torque	3175020	3171020	3173020
75	2-1/2	ZDL, Low Torque	3175025	3171025	3173025
90	3	ZDL, Low Torque	3175030	3171030	3173030
110	4	ZDL, Low Torque	3175040	3171040	3173040
160	6	ZDL, Low Torque	3175060	3171060	3173060
200	8	ZDL, Low Torque	3175080	3171080	3173080
225	9	ZDL, Low Torque	3175090	3171090	3173090
250	10	ZDL, Low Torque	3175100	3171100	3173100
315	12	ZDL, Low Torque	3175120	3171120	3173120

Seal Clean gaskets match pipe system ID, be sure to choose correct SDR.  
Not a full face gasket, OD matches Stub End shoulder OD.

Accessories



**Asahi/America Tip**

-Inside diameter of the gasket matches with the ID of the stub end, creating no dead space.

-Outside diameter of the gasket lines up with the OD of the stub end for easy installation.



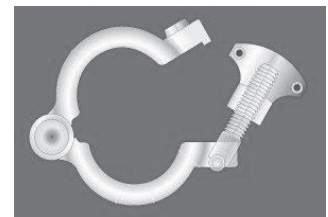
**SANITARY GASKETS**

Description	EPDM	FKM	PTFE
	Part Number	Part Number	Part Number
3/4" TC Gasket	540920207	540920307	540920407
1" TC Gasket	540920210	540920310	540920410
1-1/2" TC Gasket	540920215	540920315	540920415
2" TC Gasket	540920220	540920320	540920420
2-1/2" TC Gasket	540920225	540920325	540920425
3" TC Gasket	540920230	540920330	540920430
4" TC Gasket	540920240	540920340	540920440

**SANITARY CLAMP CAPS**

Description	PP-N	PVDF
	Part Number	Part Number
3/4" END CAP	540920507	540920607
1-1/2" END CAP	540920515	540920615
2" END CAP	540920520	540920620
2-1/2" END CAP	540920525	540920625
3" END CAP	540920530	540920630
4" END CAP	540920540	540920640

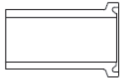

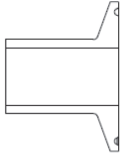
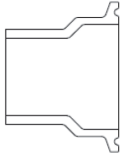
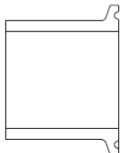

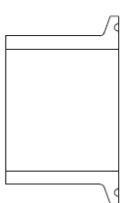

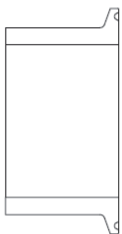

Description	Stainless Steel	PP-G
	Part Number	Part Number
3/4" SANITARY CLAMPS	540920007	540920107
1-1/2" SANITARY CLAMPS	540920015	540920115
2" SANITARY CLAMPS	540920020	540920120
2-1/2" SANITARY CLAMPS	540920025	540920125
3" SANITARY CLAMPS	540920030	540920130
4" TSANITARY CLAMPS	540920040	540920140

**Sanitary  
Clamps**

**TRICLAMP SIZE COMPARISON**

Triclamps or sanitary adapters are used primarily on stainless steel systems to ease sanitation processes. The quickly disconnected fitting offers a hygienic connection between different pieces of equipment. Gaskets are designed to match the ID of the pipe and provide a smooth transition between each side.

Since passivation of thermoplastic piping systems is not required, sanitary adapters are not widely used. It does not make a great transition from SS to plastic systems and can be used to connect to existing equipment

Pipe OD	Cap	Clamp	Gasket
20mm			3/4" Mini 3/4"
25mm			1-1/2" 1"
32mm			1-1/2" 1-1/2"
40mm			1-1/2" 1-1/2"
50mm			2" 2"
63mm			2-1/2" 2-1/2"

**Asahi Product Offering**

All of Asahi's piping materials offer sanitary triclamp connections as well as several different standard gaskets and clamp materials. **For custom options, please consult Engineering.**

- Fitting:** PVDF, PPn, PP, ECTFE
- Gasket:** EPDM, FKM and PTFE
- Clamp:** Stainless, nylon
- Size:** 20-63mm pressure rated up to 6" x 160mm non-rated

Accessories





Replacement Diaphragm

**REPLACEMENT DIAPHRAGM - T-342/343 HIGH PURITY DIAPHRAGM VALVES**

Size		DN	Spigot Size (mm)	EPDM	PTFE/EPDM	TFM/EPDM*
mm	inch			Part Number	Part Number	Part Number
20	1/2	15	<i>Use 25mm 3/4" DN20</i>			
25	3/4	20	20, 25, 20/20 - 25/25	3174007	3172007	3172107
32	1	25	32, 32/20 - 110/32	3174010	3172010	-
40	1-1/4	32	<i>Use 50mm 1-1/2" DN40</i>			
50	1-1/2	40	40, 50	3174015	3172015	3172115
63	2	50	63, 63/40 - 63/63, 75/40 - 110/63	3174020	3172020	3172120
90	3	80	75, 90	3174030	3172030	-
110	4	100	110, 140	3174040	3172040	-

Accessories

\* TFM/EPDM diaphragm is recommended instead of PTFE for use on actuated diaphragm valves (DN40, DN50). PTFE/EPDM and TFM/EPDM diaphragms cannot be reused. EPDM diaphragms may be reused if in good condition. DN refers to the metric nominal dimension, size can be found on diaphragm tab.

How to Read Spigot Size Combos				
Run	Branch	All Sizes Up to	Run	Branch
63	/ 40	-	63	/ 63

Sizes included: 63mm x 40mm, 63mm x 50mm, 63mm x 63mm.

**REPLACEMENT MANUAL BONNET - T-342/343**

Size		DN	Spigot Size (mm)	Part Number
mm	inch			
20	1/2	15	<i>Use 25mm 3/4" DN20</i>	
25	3/4	20	20, 25, 20/20 - 25/25	6365007
32	1	25	32, 32/20 - 110/32	6365010
40	1-1/4	32	<i>Use 50mm 1-1/2" DN40</i>	
50	1-1/2	40	40, 50	6365015
63	2	50	63, 63/40 - 63/63, 75/40 - 110/63	6365020
90	3	80	75, 90	6365030
110	4	100	110, 140	6365040



Manual Actuator

DN refers to the metric nominal dimension, size can be found on diaphragm tab.

**All valve accessories listed here are only for T-342/T343 high purity diaphragm valves**



**REPLACEMENT ACTUATOR - T-342/343 HIGH PURITY DIAPHRAGM VALVES**

Size	Spigot Size (mm)	Normally Closed Part Number	Normally Open Part Number	Air to Air Part Number
DN15, DN20	20, 25, 20/20 - 25/25	6363007	6364007	6362007
DN32	32, 32/20 - 110/32	6363010	6364010	6362010
Special DN50	<i>Special N/O 75/40, 90/40, 110/40</i>	-	6364012*	-
DN 32, DN40	40, 50	6363015	6364015	6362015
DN50	63, 63/40 - 63/63, 75/40 - 110/63	6363020	6364020	6362020

\*Only for use with 75/40, 90/40, 110/40 air to close actuator.

Accessories

**ACTUATION ACCESSORIES - T-342/343 HIGH PURITY DIAPHRAGM VALVES**

Size	Min/Max Stroke Limitor	Part Number
20, 25, 32, X/20 - X/32	Adjustable mechanical limit mounts on top of actuator	6387010
40, 50, 63, X/40 - X/63		6387020

Size	Max Stroke Limitor	Part Number
20, 25, 32, X/20 - X/32	Mounts on top of actuator	6387098
40, 50, 63, X/40 - X/63		6387099

Size	Type 8697 Electric Position Feedback	Part Number
20, 25, 32, X/20 - X/32	Mechanical limit switches, inductive mounts on top of actuator, 10-30 V DC	6388010
40, 50, 63, X/40 - X/63		6388020

Size	Type 1071 Magnetic Position Indicator Feedback	Part Number
20, 25, 32, X/20 - X/32	Magnetic inductive position feedback mounts on side of actuator, 10-30 V DC	6389010
40, 50, 63, X/40 - X/63		6389020

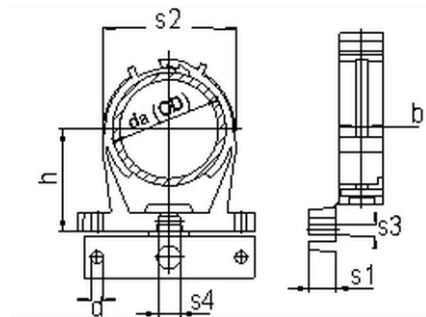
Size	Manual Override Handwheel	Part Number
20, 25, 32, X/20 - X/32	Mounts on top of actuator	6387088
40, 50, 63, X/40 - X/63		6387089

All valve accessories listed here are only for T-342/343 high purity diaphragm valves.

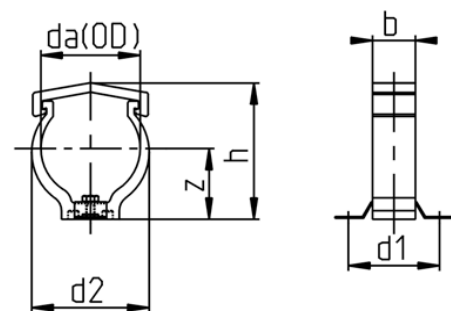


**PIPE CLIPS**

Size		Description	Part Number
mm	inch		
20	1/2	Snap Clips	5349005
25	3/4	Snap Clips	5349007
32	1	Snap Clips	5349010
40	1-1/4	Snap Clips	5349012
50	1-1/2	Snap Clips	5349015
63	2	2 Piece Clip	5246020
75	2-1/2	2 Piece Clip	5246025
90	3	2 Piece Clip	5246030
110	4	2 Piece Clip	5246040
160	6	2 Piece Clip	5246060
200	8	2 Piece Clip	5246080
225	9	2 Piece Clip	5246090



Size		h	s1	s2	s3/d	s4	b
mm	inch						
20	1/2	1.06	0.24	1.14	0.26	0.35	0.55
25	3/4	1.18	0.40	1.34	0.26	0.35	0.63
32	1	1.24	0.45	1.54	0.26	0.35	0.63
40	1-1/4	1.46	0.55	1.97	0.26	0.35	0.69
50	1-1/2	1.61	0.59	2.20	0.26	0.35	0.79



Size		z	d1	d2	h	b
mm	inch					
63	2	2.04	2.91	3.07	3.74	1.16
75	2-1/2	2.40	3.23	3.70	4.41	1.57
90	3	2.63	3.22	4.25	5.03	1.57
110	4	3.14	3.22	5.39	5.98	1.57
160	6	4.56	4.33	7.24	8.54	2.36
200	8	5.82	4.33	9.37	10.50	2.36
225	9	6.22	4.33	10.28	11.46	2.36



**PIPE CLIPS**

Size		Description	Part Number
mm	inch		
250	10	Snap Clips	5350100
280	11	Snap Clips	5350110
315	12	Snap Clips	5350120
355	14	Snap Clips	5350140
400	16	Snap Clips	5350160

10-16" pipe clips are special order.

Size		B	D	E	d3	Z1	Z2
mm	inch						
250	10	7.88	0.98	1.57	0.51	7.19	5.61
280	11	7.88	0.98	1.57	0.51	7.78	6.12
315	12	8.86	0.98	1.57	0.51	8.6	6.75
355	14	10.12	1.18	1.97	0.67	10.87	8.27
400	16	11.34	1.18	1.97	0.67	11.85	9.06

